

Leadership in fusible circuit protection



Powering Business Worldwide



Energizing a world that demands more.

We deliver:

- **Electrical solutions** that use less energy, improve power reliability and make the places we live and work safer and more comfortable
- **Hydraulic and electrical solutions** that enable machines to deliver more productivity without wasting power
- **Aerospace solutions** that make aircraft lighter, safer and less costly to operate, and help airports operate more efficiently
- **Vehicle drivetrain and powertrain solutions** that deliver more power to cars, trucks and buses, while reducing fuel consumption and emissions

Discover today's Eaton.

Powering business worldwide

As a global power management company, we help customers worldwide manage the power needed for buildings, aircraft, trucks, cars, machinery and businesses.

Eaton's innovative technologies help customers manage electrical, hydraulic and mechanical power more reliably, efficiently, safely and sustainably.

We provide integrated solutions that help make energy, in all its forms, more practical and accessible.

With 2015 sales of \$20.9 billion, Eaton has approximately 100,000 employees around the world and sells products in more than 175 countries.

Eaton.com

EATON

Powering Business Worldwide

Eaton is the leading source of fusible circuit protection solutions in the global marketplace. Eaton's Bussmann series products are approved for use around the world and meet agency requirements and international standards: IEC, VDE, DIN, UL, CSA, BS and others.

The headquarters for Eaton's Bussmann series product line is located in Burton-on-the-Wolds, Leicestershire (UK) and is part of Eaton's Industrial Control and Protection EMEA division.

Eaton manufactures over 50,000 Bussmann series part numbers, covering extensive fusible circuit protection solutions for a wide range of applications: residential, industrial, motor protection, power conversion and distribution.

Eaton has been a leading exponent in the design, development and manufacture of fuse links and their associated accessories for more than 100 years and has supplied fuse links to more than 90 countries worldwide.

Eaton's team of specialist Engineers and Field Applications Engineers plays a leading role in international standardisation of fuse links offering comprehensive advice on selection and applications.

With a continual commitment to meet our customers' needs with innovative high quality products with ISO 9001 'approval systems', Eaton is the supplier of choice for circuit protection solutions.

Table of contents

Section				Pages
North American fuse links				6-15
	130 V a.c. / V d.c.	1000 to 4000 A	FWA	6
	150 V a.c. / V d.c.	70 to 1000 A	FWA	7-8
	250 V a.c. / V d.c.	35 to 2500 A	FWX	9
	500 V a.c. / V d.c.	35 to 1600 A	FWH	10
	600 V a.c.	1 to 1000 A	KAC	11
	600 V a.c.	35 to 800 A	KBC	12
	700 V a.c. / V d.c.	5 to 1200 A	FWP	13-14
	1000 V a.c. / 800 V d.c.	35 to 2000 A	FWJ	15
British Standard BS88 fuse links				16-22
	240-250-280 V a.c. / 150 V d.c.	6 to 180 A	LCT, LET	16-17
	240-250 V a.c. / 150 V d.c.	160 to 900 A	LMT, LMMT	18
	690-700 V a.c. / 500 V d.c.	6 to 200 A	CT, ET, FE, EET and FEE	19-20
	690-700 V a.c. / 350-450-500 V d.c.	160 to 710 A	FM, FMM, MT and MMT	21-22
Ferrule fuse links				23-36
	150 V a.c. / V d.c.	5 to 60 A	FWA	23
	250 V a.c. / V d.c.	1 to 50 A	FWX	24
	500 V a.c.	0.25 to 30 A	FWH-A6F	25
	500 V a.c. / V d.c.	1 to 30 A	FWH-14F	26
	600-700 V a.c. / 700 V d.c.	1 to 32 A	FWC	27
	690 V a.c.	4 to 32 A	FWP-G10F	28
	690 V a.c.	4 to 50 A	FWP-G14F	29
	690 V a.c.	20 to 100 A	FWP-G22F	30
	690-700 V a.c. / 600-700 V d.c.	1 to 50 A	FWP-A14F	31
	700 V a.c. / V d.c.	20 to 100 A	FWP-A22F	32
	750 V d.c.	5 to 60 A	FWK-A20F and FWK-A25F	33
	1000 V a.c. / 800 V d.c.	20 to 30 A	FWJ	34
	1200 V a.c. / 1000 V d.c.	20 to 30 A	FWL	35
	1400-2000 V a.c. / 1000 V d.c.	2 to 15 A	FWS	36
Square body fuse links				37-77
DIN 43653				
	690-700 V a.c. / V d.c.	10 to 400 A	170M - size 000 and 00	37-38
	690-700 V a.c.	40 to 2000 A	170M - size 1* to 3	39-40
	1000 V a.c.	20 to 315 A	170M - size 00	41
	1000 V a.c.	50 to 1400 A	170M - size 1* to 3	42-43
	1250-1300 V a.c.	50 to 1400 A	170M - size 1* to 3	44-45
DIN 43620				
	690 V a.c.	10 to 800 A	170M - size 00 to 3	46-47
	690-700 V a.c.	10 to 1600 A	170M - dual indicator	48-49
	1000 V a.c.	20 to 225A	170M - size 00	50
French style				
	690-700 V a.c.	40 to 1600 A	170M - size 1* to 3	51-52
US style				
	690-700 V a.c.	40 to 2000 A	170M - size 1* to 3	53-54
	1000 V a.c.	50 to 1400 A	170M - size 1* to 3	55-56
	1250-1300 V a.c.	50 to 1400 A	170M - size 1* to 3	57-58
Flush end contact				
	690 V a.c.	25 to 400 A	170M - size 00	59
	690-700 V a.c.	40 to 2000 A	170M - size 1* to 3	60-61
	1000 V a.c.	50 to 1400 A	170M - size 1* to 3	62-63
	1250-1300 V a.c.	50 to 1400 A	170M - size 1* to 3	64-65
	690-700 V a.c.	1000 to 4000 A	170M - size 4	66-67
	1000 V a.c.	1000 to 3000 A	170M - size 4	68-69
	1250 V a.c.	800 to 2500 A	170M - size 4	70-71
	660 V a.c.	1000 to 4000 A	170M - size 23	72-73
	1250 V a.c.	630 to 2800 A	170M - size 23	74
	690 V a.c.	2000 to 7500 A	170M - size 24	75
	1000 V a.c.	2000 to 5000 A	170M - size 24	76
	1100-2000 V a.c.	1800 to 5500 A	170M - size 5	77

Section				Pages
Square body				78-82
Drive fuse links	600 V a.c. / 450 V d.c.	1 to 600 A	DFJ	78
IGBT fuse links	750-800 V d.c.	25 to 630 A	170M - size 000 and 230	79-80
	1000 V d.c.	25 to 500 A	170M - size 000 and 230	81-82
Traction fuse links				83-108
Square body	750 V d.c.	50 to 1600 A	170M - size 1*, 3 and 23	83-85
	750 V d.c.	63 to 500 A	170E - size 1*, 1, 2 and 3	86-87
	850 V d.c. / 1250 V a.c.	1400 A	170M7217 - size 4	88
	1200 V d.c.	20 to 215 A	170M - size 1*	89
	1200 V d.c.	160 to 420 A	170F - size 2	90
	2000 V d.c.	10 to 80 A	170E - size 1*	91
	2000 V d.c.	10 to 125 A	170E - size 1*	92
	2000 V d.c.	20 to 600 A	170M	93-95
	2400 V d.c.	100 to 400 A	170M - size 3	96
	4000 V d.c.	20 to 125 A	170E - size 1*	97
	4000 V d.c.	20 to 450 A	170E - size 1*, 2 and 2//2	98-100
Ferrule	750 V d.c.	5 to 60 A	FWK	101
	750 V d.c.	30 to 50 A	LRC750	102
	1000 V d.c. / 1200-1400-2000 V a.c.	2 to 30 A	FWS and FWL	103
Round body	750 V d.c.	5 to 60 A	KC36	104
	750 V d.c.	200 to 400 A	RC	105
	900 V d.c.	160 to 1000 A	SF	106-107
	1500 V d.c.	25 to 200 A	NBC	108
Photovoltaic fuse links, fuse bases and holders				109-133
	600 V d.c.	4 to 30 A	PVM 10 x 38 mm fuse links	109
	1000 V d.c.	1 to 20 A	PV-A10F 10 x 38 mm fuse links	110-111
		CHPV	10 x 38 mm Modular fuse holder	112
	1000-1100 V d.c.	15 to 32 A	PV 14 x 51 mm fuse links	113
		CHPV14	14 x 51 mm Modular fuse holder	114
	1300-1500 V d.c.	15 to 32 A	PV 14 x 65 mm fuse links	115
		CHPV15V85	10 x 85 mm Fuse holder	116
	1000 V d.c.	32 to 400 A	PV NH fuse links	117-122
		SD-D-PV	NH Bases	123-124
	1000 V d.c.	160 to 400 A	PV Flush end fuse links	125-126
	1000-1500 V d.c.	50 to 600 A	PV XL fuse links	127-132
		SB-XL	PV XL Bases	133
Accessories				134-152
Fuse bases	Modular style	C5268, 1BS and BH		134
	Fixed center	170H		135-137
	Ferrule	BMM and CVRI		138-139
	Ferrule	JM70100		140
Modular knifeblade fuse blocks		JM60		141-143
Modular fuse holders	10 x 38 mm	CHM, CHPV, CHCC		144-145
	14 x 51 mm	CH14		146-147
	22 x 58 mm	CH22		148-149
Microswitches	Square body	170H0235 to 170H0237 and 170H0069		150-151
	BS88-4	EC, MC and TI		152
Index				154-155

North American fuse links

FWA

130 V a.c. / V d.c.(UL), 1000 to 4000 A

Specifications

Description

North American style flush end high speed fuse links for the protection of DC common bus, DC drives, power converters/rectifiers and reduced rated voltage starters.

Technical data

Rated voltage: 130 V a.c. / V d.c. (UL).

Rated current: 1000-4000 A.

Breaking capacity:

- 200 kA RMS Sym at 130 V a.c.
- 50 kA at 130 V d.c..

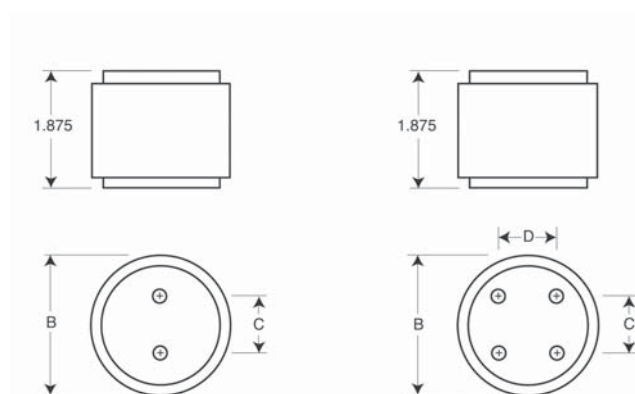
Standards / Agency information

CE, UL Recognised JFHR2.E91958 on 1000 - 2000 A fuse links.



Rated voltage	Rated current (Amps)	I ² t (A ² Sec)		Watts loss (W)	Catalogue numbers
		Pre-arcing	Clearing at 130 V a.c.		
130 V a.c. / V d.c. (UL)	1000	170,000	460,000	60	FWA-1000AH
	1200	270,000	730,000	70	FWA-1200AH
	1500	520,000	1,400,000	78	FWA-1500AH
	2000	860,000	2,400,000	108	FWA-2000AH
	2500	1,500,000	4,100,000	130	FWA-2500AH
	3000	2,100,000	5,700,000	150	FWA-3000AH
	4000	3,400,000	9,200,000	257	FWA-4000AH

Dimensions — in



1000-3000 A

4000 A

Rated current (Amps)	B	C	D	Thread depth
1000 to 2000	2	1	-	Tapped 3/8"-24 x 1/2" UNF
2500 to 3000	3	1.5	-	Tapped 1/2"-20 x 1/2" UNF
4000	3.5	1.5	1.5	Tapped 1/2"-20 x 1/2" UNF

1" = 25.4mm

Data sheets: 720001, 5785301

FWA

150 V a.c. / V d.c. (UL), 70 to 1000 A

Specifications

Description

North American style bolted tag high speed fuse links used for the protection of DC common bus, DC drives, power converters/rectifiers and reduced rated voltage starters.

Technical Data

Rated voltage:

- 150 V a.c. / V d.c. (UL)
- 80 V d.c. 1000 A only

Rated current: 70-1000 A.

Breaking capacity:

- 100 kA RMS Sym. (70-400 A).
- 200 kA RMS Sym. (450-1000 A).
- 20 kA at 150 V a.c. / V d.c. (70-800 A)
- 100 kA at 80 V d.c. (70-1000 A)

Standards / Agency information

CE, UL Recognised JFHR2.E91958.

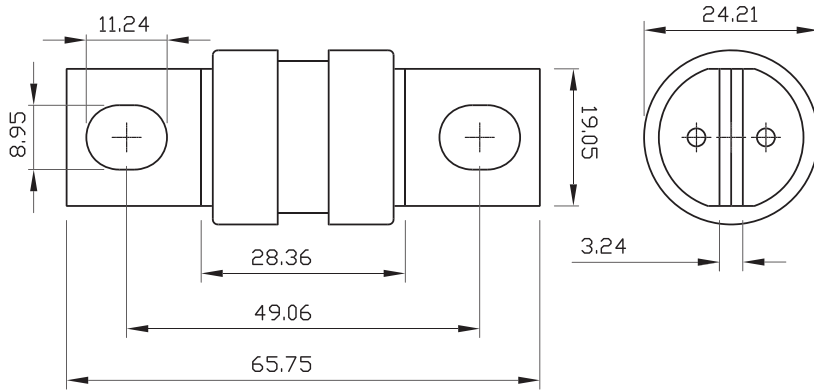


Rated voltage	Rated current (Amps)	I ² t (A ² Sec)		Watts loss (W)	Catalogue numbers
		Pre-arcing	Clearing at 150 V a.c.		
150 V a.c. / V d.c. (UL)	70	470	4000	6.9	FWA-70B
	80	670	6000	7.7	FWA-80B
	100	1200	12,000	9	FWA-100B
	125	1870	18,000	11.2	FWA-125B
	150	2700	26,000	13.5	FWA-150B
	200	4780	45,000	17.6	FWA-200B
	250	7470	70,000	22.5	FWA-250B
	300	10,760	100,000	27	FWA-300B
	350	15,700	140,000	30.6	FWA-350B
	400	20,300	180,000	35.2	FWA-400B
	500	39,000	120,000	35	FWA-500A
	600	46,000	140,000	47	FWA-600A
	700	75,000	220,000	49	FWA-700A
800	92,000	280,000	58	FWA-800A	
80 V d.c.	1000	170,000	510,000	60	FWA-1000A

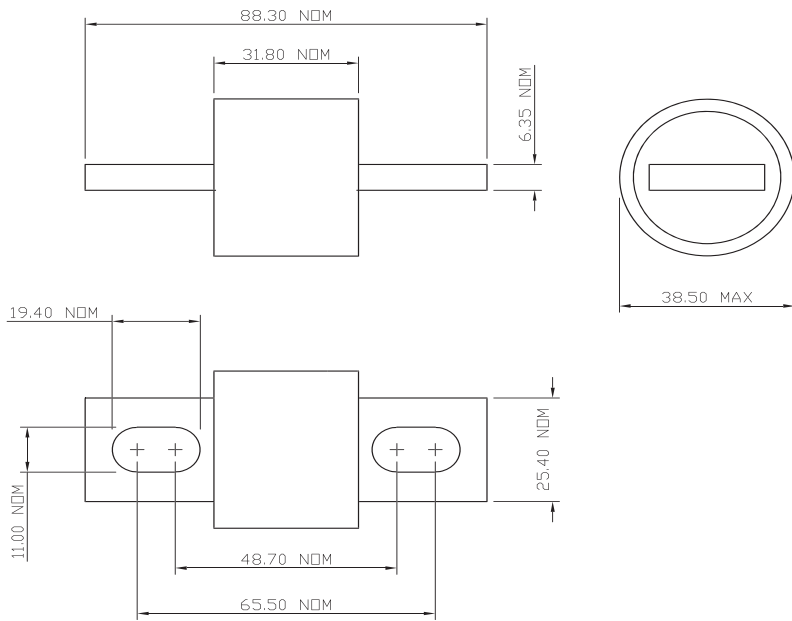
FWA

150 V a.c. / V d.c. (UL), 70 to 1000 A

Dimensions - mm



70-400 A



500-1000 A

FWX

250 V a.c. / V d.c. (UL), 35 to 2500 A

Specifications

Description

North American style bolted tags and flush end high speed fuse links for the protection of DC common bus, DC drives, power converters/rectifiers and reduced rated voltage starters.

Technical Data

Rated voltage: 250 V a.c. / V d.c. (UL).

Rated current: 35-2500 A.

Breaking capacity:

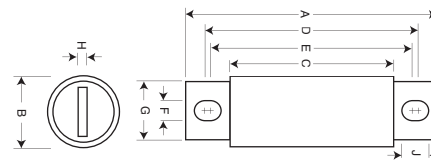
- 200 kA RMS Sym.
- 20 kA at 250 V d.c. (35-800 A).

Standards / Agency information

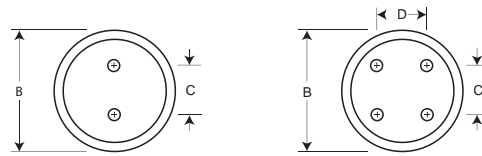
CE, UL Recognised file JFHR2.E56412 and CSA component acceptance on 35-800 A fuse links (20 kA IR at 250 V d.c.).



Dimensions - in



35-800 A



1000-1200 A

1500-2500 A

Rated voltage	Rated current (Amps)	I ² t (A ² Sec)		Watts loss (W)	Catalogue numbers
		Pre-arcing	Clearing at 250 V a.c.		
250 V a.c./ V d.c. (UL)	35	50	230	4.2	FWX-35A
	40	60	310	5.2	FWX-40A
	45	80	390	5.7	FWX-45A
	50	100	520	6	FWX-50A
	60	140	740	8.1	FWX-60A
	70	330	1400	7.2	FWX-70A
	80	430	1850	8.1	FWX-80A
	90	570	2450	9	FWX-90A
	100	740	3150	10	FWX-100A
	125	1130	4850	12.5	FWX-125A
	150	1620	6950	15.7	FWX-150A
	175	2170	9300	18.5	FWX-175A
	200	2790	12,000	22	FWX-200A
	225	3210	14,700	24	FWX-225A
	250	3960	18,100	27	FWX-250A
	275	4720	21,600	31	FWX-275A
	300	6000	27,300	32	FWX-300A
	350	10,600	48,600	39	FWX-350A
	400	14,500	66,100	44	FWX-400A
	450	22,100	101,000	49	FWX-450A
500	28,000	128,000	54	FWX-500A	
600	41,100	188,000	62	FWX-600A	
700	48,800	190,000	72	FWX-700A	
800	59,000	230,000	84	FWX-800A	
1000	44,000	360,000	100	FWX-1000AH	
1200	92,000	750,000	103	FWX-1200AH	
1500	120,000	880,000	140	FWX-1500AH	
1600	160,000	1,200,000	140	FWX-1600AH	
2000	320,000	2,300,000	151	FWX-2000AH	
2500	670,000	4,700,000	163	FWX-2500AH	

Amp range	A	B	C	D	E	F	G	H	J	Tapped thread depth
35-60	3.19	0.81	1.59	2.59	2.25	0.34	0.63	0.13	0.52	-
70-200	3.13	1.22	1.59	2.44	2.19	0.34	1	0.19	0.47	-
225-600	3.84	1.5	1.59	2.94	2.25	0.41	1	0.25	0.75	-
700-800	3.84	2	1.59	3.03	2.28	0.41	1.5	0.25	0.78	-
1000-1200	2.59	3	1.5	-	-	-	-	-	-	3/8"-24 x
1500-2500	2.59	3.5	1.5	1.5	-	-	-	-	-	1/2" UNF

1" = 25.4mm

FWH

500 V a.c. / V d.c.¹ (UL), 35 to 1600 A

Specifications

Description

North American style bolted tags high speed fuse links, for the protection of DC common bus, power converters/rectifiers and reduced rated voltage starters.

Technical data

Rated voltage:

- 500 V a.c. (UL).
- 500 V d.c. (35-800 A only)

Rated current: 35-1600 A.

Breaking capacity:

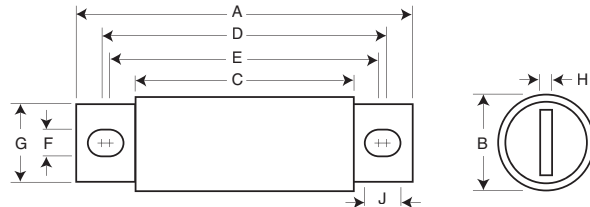
- 200 kA RMS Sym.
- 50 kA at 500 V d.c..

Standards / Agency information

CE, UL Recognition JFHR2.E91958 FWH-_B (35-200 A) and FWH-_A (1000 and 1200 A), JFHR2.E56412 FWH-_A (225-800 A), CSA Component Acceptance Class 1422-30, File 53787 (35-1600 A)

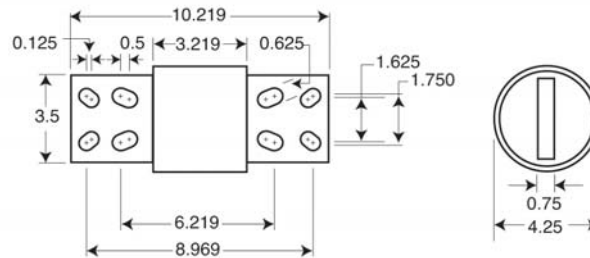


Dimensions - in



Rated voltage	Rated current (Amps)	I ² t (A ² Sec)		Watts loss (W)	Catalogue numbers
		Pre-arcing	Clearing at 500 V a.c.		
500 V a.c./ V d.c. (UL)	35	34	150	8	FWH-35B
	40	76	320	7.5	FWH-40B
	45	105	450	7.5	FWH-45B
	50	135	670	7.5	FWH-50B
	60	210	900	9.9	FWH-60B
	70	210	900	10.6	FWH-70B
	80	305	1400	12.7	FWH-80B
	90	360	1600	15	FWH-90B
	100	475	2000	17	FWH-100B
	125	800	3500	25	FWH-125B
500 V a.c./ V d.c. (UL)	150	1100	4600	30	FWH-150B
	175	1450	6200	35	FWH-175B
	200	1900	8500	40	FWH-200B
	225	4600	23,300	39	FWH-225A
	250	6300	32,200	41	FWH-250A
	275	7900	40,300	46	FWH-275A
	300	9800	49,800	51	FWH-300A
	325	13,700	63,800	53	FWH-325A
	350	14,500	72,900	58	FWH-350A
	400	19,200	96,700	65	FWH-400A
500 V a.c./ V d.c. (UL)	450	24,700	127,000	74	FWH-450A
	500	29,200	149,000	84	FWH-500A
	600	41,300	206,000	108	FWH-600A
	700	55,000	298,000	120	FWH-700A
	800	76,200	409,000	129	FWH-800A
	1000	92,000	450,000	145	FWH-1000A
	1200	122,000	600,000	180	FWH-1200A
	1400	200,000	1,000,000	210	FWH-1400A
	1600	290,000	1,400,000	230	FWH-1600A

35-1200 A



1400-1600 A - in

Amp range	A	B	C	D	E	F	G	H	J
35-60	3.19	0.81	1.59	2.54	2.19	0.34	0.72	0.13	0.52
70-100	3.62	0.95	1.74	2.85	2.81	0.35	0.75	0.13	0.38
125-200	3.62	1.16	1.84	2.89	2.77	0.34	1	0.19	0.41
225-400	4.34	1.5	2.09	3.44	2.75	0.41	1	0.25	0.75
450-600	4.34	2	2.09	3.53	2.78	0.41	1.5	0.25	0.78
700-800	6.34	2.5	2.09	4.97	3.44	0.53	2	0.38	1.30
1000-1200	6.97	3	3.22	5.47	4.48	0.62	2.38	0.44	1.12
1400-1600	refer to drawing								

1" = 25.4mm

¹ 500 V d.c. for 35-800 A only.

Data sheets: 720007, 360 (225-800 A), 5785304 (35-200 A, 1000-1600 A)

KAC

600 V a.c. (UL), 1 to 1000 A

Specifications

Description

North American style bolted tags high speed fuse links. These fuse links are supplied as replacements only. For new installations, Bussmann recommends the 700 V FWP see pages 13-14.

Technical Data

Rated voltage: 600 V a.c. (UL).
 Rated current: 1-1000 A.
 Breaking capacity: 200 kA RMS Sym.

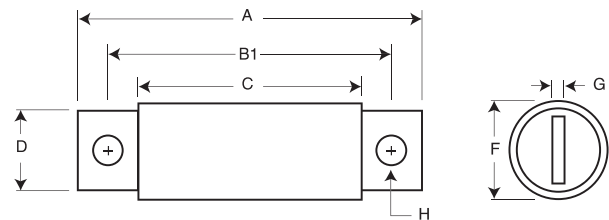
Standards / Agency information

CE, UL file JFHR2.E56413 (1-600 A only).

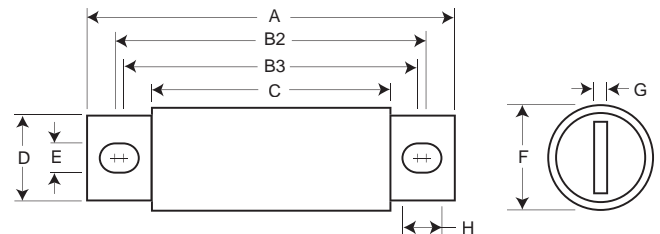


Rated voltage	Rated current (Amps)	Catalogue numbers
	1	KAC-1
	2	KAC-2
	3	KAC-3
	4	KAC-4
	5	KAC-5
	6	KAC-6
	7	KAC-7
	8	KAC-8
	9	KAC-9
	10	KAC-10
	12	KAC-12
	15	KAC-15
	17.5	KAC-17.5
	20	KAC-20
	25	KAC-25
	30	KAC-30
	35	KAC-35
	40	KAC-40
	45	KAC-45
	50	KAC-50
600 V a.c. (UL)	60	KAC-60
	70	KAC-70
	80	KAC-80
	90	KAC-90
	100	KAC-100
	110	KAC-110
	125	KAC-125
	150	KAC-150
	175	KAC-175
	200	KAC-200
	225	KAC-225
	250	KAC-250
	300	KAC-300
	350	KAC-350
	400	KAC-400
	450	KAC-450
	500	KAC-500
	600	KAC-600
	700	KAC-700
	800	KAC-800
	1000	KAC-1000

Dimensions - in



1-30 and 450-1000 A



35-400 A

Rated current (Amps)	A	B1	B2	B3	C	D	E	F	G	H
1-30	2.88	2.5	-	-	1.88	0.41	-	0.56	0.06	0.26
35-60	4.38	-	3.75	3.50	2.75	0.63	0.34	0.81	0.09	0.47
70-100	5	-	4.06	3.66	2.75	0.75	0.41	1	0.13	0.61
110-200	5.14	-	4.39	3.77	2.91	1	0.41	1.5	0.19	0.72
225-400	6.18	-	4.82	4.57	3	1.63	0.56	2	0.25	0.69
450-800	6.25	4.75	-	-	3.06	2	-	2.5	0.25	0.56
1000	7.25	4.75	-	-	3.06	2.75	-	3.5	0.38	0.56

1" = 25.4mm

KBC

600 V a.c. (UL), 35 to 800 A

Specifications

Description

North American style bolted tags and flush-end high speed fuse links. These fuse links are supplied as replacements only. For new installations, Eaton recommends the 700 V FWP fuse links, see pages 13-14.

Technical data

Rated voltage: 600 V a.c. (UL).
 Rated current: 35-800 A.
 Breaking capacity: 200 kA RMS Sym.

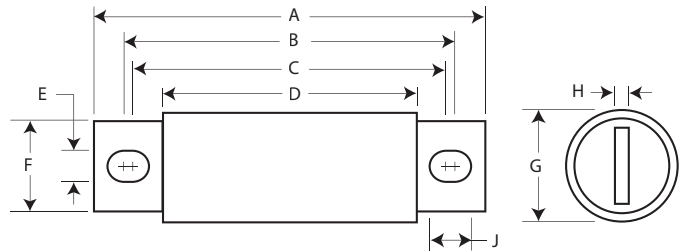
Standards / Agency information

CE, UL file JFHR2.E56412 (35-600 A only)

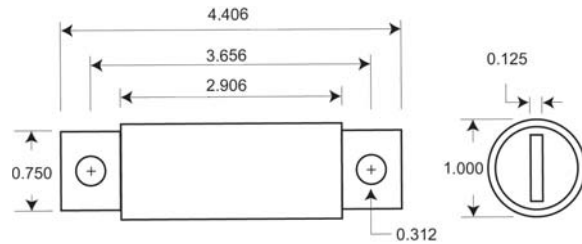
Rated voltage	Rated current (Amps)	Catalogue numbers
	35	KBC-35
	40	KBC-40
	45	KBC-45
	50	KBC-50
	60	KBC-60
	70	KBC-70
	80	KBC-80
	90	KBC-90
	100	KBC-100
	110	KBC-110
	125	KBC-125
600 V a.c. (UL)	150	KBC-150
	175	KBC-175
	200	KBC-200
	225	KBC-225
	250	KBC-250
	300	KBC-300
	350	KBC-350
	400	KBC-400
	450	KBC-450
	500	KBC-500
	600	KBC-600
	800	KBC-800



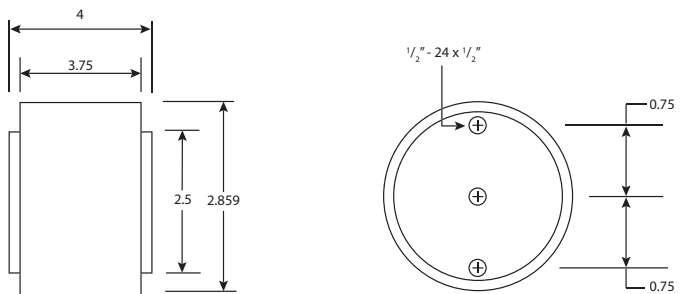
Dimensions - in



35-60 & 110-600 A



70-100 A



800 A

Rated current (Amps)	A	B	C	D	E	F	G	H	J
35-60	4.38	3.75	3.50	2.75	0.34	0.63	0.81	0.09	0.47
70-100	Refer to drawing								
110-200	4.41	3.72	3.59	2.91	0.31	0.88	1.22	0.19	0.38
225-400	5.13	4.19	3.56	2.91	0.41	1	1.5	0.25	0.72
450-600	5.13	4.39	3.69	2.88	0.41	1.5	2	0.25	0.76
800	Refer to drawing								

1" = 25.4mm

FWP

700 V a.c. / V d.c.(UL), 5 to 1200 A

Specifications

Description

North American style bolted tags high speed fuse links for the protection of DC common bus, DC drives, power converters/rectifiers, reduced rated voltage starters.

Technical data

Rated voltage: 700 V a.c. / V d.c. (UL).

Rated current: 5-1200 A.

Breaking capacity:

- 200 kA RMS Sym.
- 50 kA at 700 V d.c. (type A)
- 50 kA at 500 V d.c. (type B)

Standards / Agency information

CE, UL Recognition JFHR2.E91958 FWP-_B (5-100 A, 700 -1200 A), JFHR2.E56412 FWP-_A (125-600 A) and CSA Component Acceptance file class 1422-30, (53787) on 5-800 A



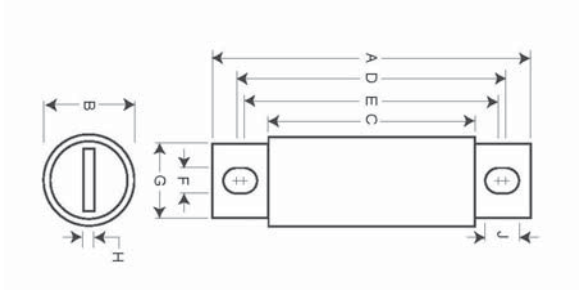
Rated voltage	Rated current (Amps)	I ² t (A ² Sec)		Watts loss (W)	Catalogue numbers
		Pre-arcing	Clearing at 700 V a.c.		
700 V a.c. / V d.c. (UL)	5	1.6	11	1.5	FWP-5B
	10	3.6	22	4	FWP-10B
	15	10	70	5.5	FWP-15B
	20	26	180	6	FWP-20B
	25	44	320	7	FWP-25B
	30	58	450	9	FWP-30B
	35	34	160	12	FWP-35B
	40	76	320	12	FWP-40B
	50	135	600	12	FWP-50B
	60	210	950	15.5	FWP-60B
	70	305	2000	18	FWP-70B
	80	360	2400	21	FWP-80B
	90	415	2700	25	FWP-90B
	100	540	3500	27	FWP-100B
	125	1800	7300	28	FWP-125A
	150	2900	11,700	32	FWP-150A
	175	4200	16,700	35	FWP-175A
	200	5500	22,000	43	FWP-200A
	225	7700	31,300	45	FWP-225A
	250	10,500	42,500	48	FWP-250A
	300	17,600	71,200	58	FWP-300A
	350	23,700	95,600	65	FWP-350A
	400	31,000	125,000	78	FWP-400A
	450	36,400	137,000	94	FWP-450A
	500	45,200	170,000	107	FWP-500A
	600	66,700	250,000	122	FWP-600A
	700	54,000	300,000	125	FWP-700A
800	78,000	450,000	140	FWP-800A	
900	91,500	530,000	150	FWP-900A	
1000	120,000	600,000	170	FWP-1000A	
1200	195,000	1,100,000	190	FWP-1200A	

Data sheets: 720012, 5785316 (5-30 A), 361 (125-600 A), 5785308 (35-100 A, 700-1200 A)

FWP

700 V a.c. / V d.c.(UL), 5 to 1200 A

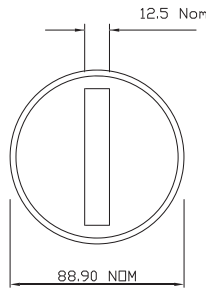
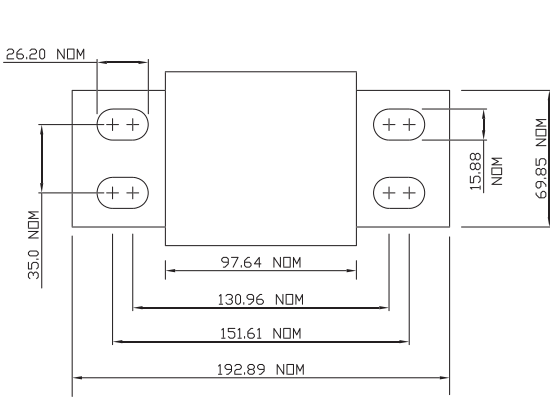
Dimensions



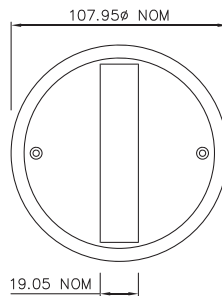
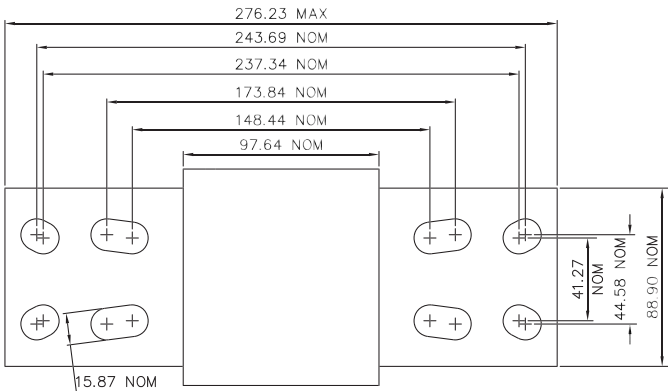
5-800 A - in

Amp range	A	B	C	D	E	F	G	H	J
5-30	2.87	0.56	1.86	2.48	2.48	0.25	0.41	0.06	0.25
35-60	4.38	0.81	2.75	3.71	3.31	0.34	0.73	0.13	0.54
70-100	4.41	0.95	2.59	3.63	3.56	0.34	0.75	0.13	0.38
125-200	5.09	1.5	2.84	4.19	3.5	0.41	1	0.25	0.75
225-400	5.09	2	2.84	4.28	3.53	0.41	1.5	0.25	0.78
450-600	7.09	2.5	2.84	5.72	4.19	0.53	2	0.38	1.3
700-800	6.63	2	2.76	5.56	5.06	0.63	1.5	0.25	0.88
900-1000	Refer to drawing								
1200	Refer to drawing								

1" = 25.4mm



900-1000 A - mm



1200 A - mm

Data sheets: 720012, 5785316 (5-30 A), 361 (125-600 A), 5785308 (35-100 A, 700-1200 A)

FWJ

1000 V a.c. / 800 V d.c. (UL), 35 to 2000 A

Specifications

Description

North American style bolted tags high speed fuse links for the protection of DC common bus, DC drives power converters/rectifiers, reduced rated voltage starters.

Technical data

Rated voltage:

- 1000 V a.c. (UL)
- 800 V d.c. (UL)

Rated current: 35-2000 A.

Breaking capacity:

- 25kA RMS Sym. (35-200 A).
- 100 kA RMS Sym. (250-2000 A).
- 50 kA at 800 V d.c. (35-200 A and 450-600 A).

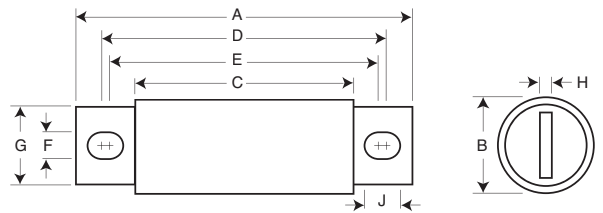
Standards / Agency information

CE, UL Recognition JFHR8.E91958 on 50-600 A only

Rated voltage	Rated current (Amps)	I ² t (A ² Sec)		Watts loss (W)	Catalogue numbers
		Pre-arcing	Clearing at 1000 V a.c.		
1000 V a.c. 800 V d.c. (UL)	35	210	2000	7	FWJ-35A
	40	300	2500	8	FWJ-40A
	50	470	3500	10	FWJ-50A
	60	670	5000	11	FWJ-60A
	70	1100	6900	12	FWJ-70A
	80	1550	9700	13	FWJ-80A
	90	1900	12,000	14	FWJ-90A
	100	2800	17,500	15	FWJ-100A
	125	4800	35,000	16	FWJ-125A
	150	6300	45,000	25	FWJ-150A
	175	7500	65,000	30	FWJ-175A
	200	11,700	80,000	32	FWJ-200A
	250	16,000	112,000	50	FWJ-250A
	300	23,500	164,000	56	FWJ-300A
	350	33,000	231,000	62	FWJ-350A
	400	47,000	330,000	67	FWJ-400A
	500	39,500	329,000	95	FWJ-500A
	600	61,000	520,000	105	FWJ-600A
	800	87,000	500,000	182	FWJ-800A
	1000	190,000	1,100,000	206	FWJ-1000A
1200	370,000	2,100,000	240	FWJ-1200A	
1400	470,000	2,700,000	248	FWJ-1400A	
1600	700,000	4,000,000	267	FWJ-1600A	
1800	925,000	5,300,000	239	FWJ-1800A	
2000	1,330,000	7,600,000	244	FWJ-2000A	



Dimensions - in



Amp range	A	B	C	D	E	F	G	H	J
35-60	5	0.94	3.11	4.24	4.18	0.35	0.75	0.13	0.38
70-100	4.93	1.13	3.09	4.27	4.16	0.35	1	0.19	0.41
125-200	5.69	1.53	3.26	4.80	4.06	0.45	1	0.25	0.82
250-400	5.77	2	3.5	4.81	4.15	0.43	1.5	0.25	0.76
500-600	7.20	2.5	3.47	5.98	4.71	0.56	2	0.38	1.2
800-2000	6.81	3.5	3.31	5.47	4.96	0.63	2.75	0.5	0.88

1" = 25.4mm

Data sheets: 720027, 5785303 (35-600 A), 5785309 (800-2000 A),

British Standard BS88 fuse links

LCT, LET

240 V a.c. / 150 V d.c. (IEC),

250-280 V a.c. / 150 V d.c. (UL), 6 to 180 A

Specifications

Description

BS88 style bolted tags fuse high speed links for the protection of DC common bus, DC drives, power converters/rectifiers and reduced rated voltage starters. Low Watts loss in a compact size.

Technical Data

Rated voltage:

- LCT 240 V a.c. / 150 V d.c. (IEC)
250 V a.c. / 150 V d.c. (UL).
- LET 280 V a.c. / 150 V d.c. (UL, 25-160 A).
250 V a.c. / 150 V d.c. (UL 180 A).

Rated current: 6-180 A.

Breaking capacity:

- 200 kA RMS Sym.
- 50 kA DC at 125V d.c..
- 100 kA at 80 V d.c. (70-1000 A).

Operating Class: aR.

Standards / Agency information

CE, designed and tested to BS88 part 4, IEC 60269 Part 4, UL Recognised and CCC (LCT only). All fuse links have been tested at 318V a.c.. Consult Eaton for specific UL recognition status.



Fuse link type	Rated voltage	Rated current (Amps)	Pt (A ² Sec)		Watts loss (W)	Catalogue numbers
			Pre-arcing	Clearing at 240 V a.c.		
LCT	240 V a.c. / 150 V d.c. (IEC) 250 V a.c. / 150 V d.c. (UL)	6	2	9	1	6LCT
		10	3.8	22	2.5	10LCT
		12	7	32	2.5	12LCT
		16	20	100	2.5	16LCT
		20	25	160	4	20LCT
LET	280 V a.c. / 150 V d.c. (UL)	25	18	250	4	25LET
		32	32	450	5	32LET
		35	50	600	5	35LET
		50	100	1400	7	50LET
		63	180	2200	9	63LET
		80	300	3800	10	80LET
		100	600	7500	10	100LET
		125	600	7500	16	125LET
		160	1100	16,000	20	160LET
		180	1600	29,000	21	180LET

Note: 7LET, 10LET, 12LET and 16LET are available for replacement purposes on existing equipment.

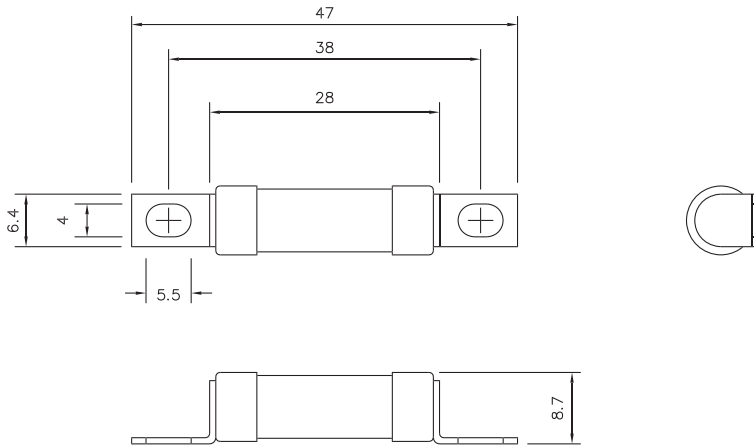
Data sheets: 720004, 5785296 (LCT), 5785293 (LET)

LCT, LET

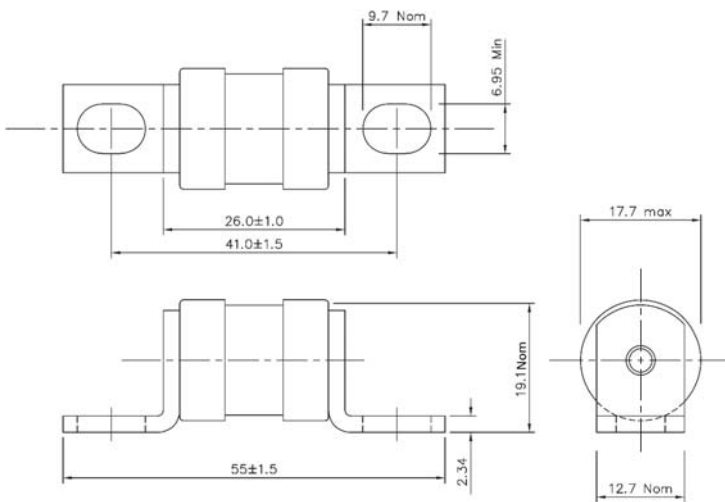
240 V a.c. / 150 V d.c. (IEC),

250-280 V a.c. / 150 V d.c. (UL), 6 to 180 A

Dimensions - mm



LCT



LET

Indicator (optional).

LMT, LMMT

240 V a.c. / 150 V d.c. (IEC), 250 V a.c. / 150 V d.c. (UL), 160 to 900 A

Specifications

Description

BS88 style bolted tags high speed fuse links for the protection of DC common bus, DC drives, power converters/rectifiers and reduced rate voltage starters. Low watts loss in a compact size.

Technical Data

Rated voltage:

- 240 V a.c. / 150 V d.c. (IEC)
- 250 V a.c. / 150 V d.c. (UL).

Rated current:

- 160-900 A.

Breaking capacity:

- 200 kA RMS Sym., 40 kA at 150 V d.c. (IEC).
- 200 kA RMS Sym., 50 kA at 150 V d.c. (UL).

Operating Class: aR.

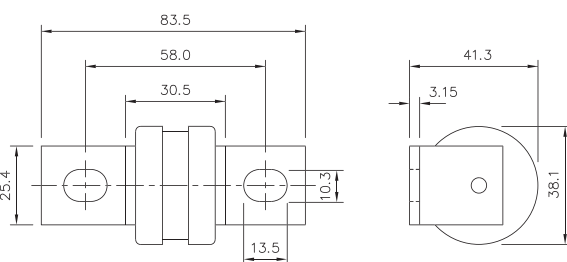
Standards / Agency information

CE, designed and tested to BS88 part 4, IEC 60269 Part 4, UL recognised and CCC. All fuse links have been tested at 318V a.c.. Consult Eaton for specific UL recognition status.

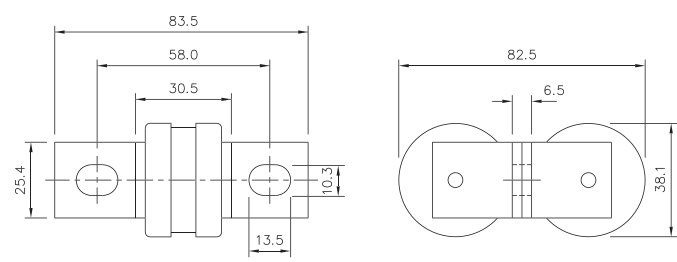


Fuse link type	Rated voltage	Rated current (Amps)	I ² t (A ² Sec)			Watts loss (W)	Catalogue numbers
			Pre-arcing	Clearing at 120 V a.c.	Clearing at 240 V a.c.		
LMT	240 V a.c. / 150 V d.c. (IEC) 250 V a.c. / 150 V d.c. (UL)	160	1100	7000	16,000	17	160LMT
		200	1500	10,000	20,000	28	200LMT
		250	3200	20,000	40,000	28	250LMT
		315	6000	35,000	75,000	35	315LMT
		355	8000	50,000	100,000	35	355LMT
		400	14,000	70,000	160,000	40	400LMT
		450	18,000	100,000	220,000	42	450LMT
LMMT	240 V a.c. / 150 V d.c. (IEC) 250 V a.c. / 150 V d.c. (UL)	400	6000	35,000	80,000	60	400LMMT
		500	14,000	80,000	170,000	64	500LMMT
		630	24,000	150,000	300,000	75	630LMMT
		710	32,000	200,000	460,000	77	710LMMT
		800	52,000	300,000	600,000	82	800LMMT
		900	75,000	400,000	800,000	97	900LMMT

Dimensions - mm



LMT Indicator (optional)



LMMT Indicator (optional)

Data sheets: 720004, 5785294 (LMT), 5785295 (LMMT)

CT, ET, FE, EET, FEE

690 V a.c. / 500 V d.c. (IEC), 700 V a.c. / 500 V d.c. (UL),

6 to 200 A

Specifications

Description

BS88 style bolted tags high speed fuse links for the protection of DC common bus, DC drives, power converters / rectifiers and reduced rated voltage starters.

Technical data

Rated voltage:

- 690 V a.c. / 500 V d.c. (IEC)
- 700 V a.c. / 500 V d.c. (UL).

Rated current: 6-200 A.

Breaking capacity:

- CT: 90 kA RMS Sym., 40 kA at 500 V d.c. (IEC).
- 200 kA RMS Sym., 50 kA at 500 V d.c. (UL).
- ET, EET, FE and FEE: 200 kA RMS Sym., 50 kA at 500 V d.c..

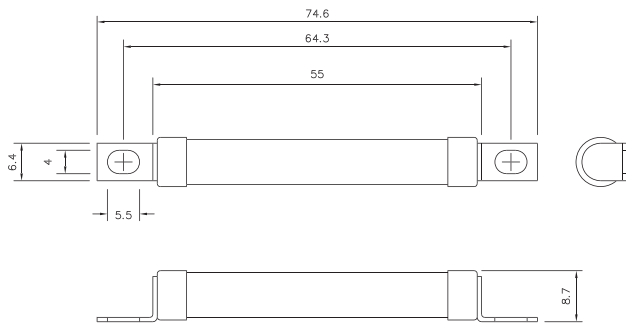
Operating Class: aR.

Standards / Agency information

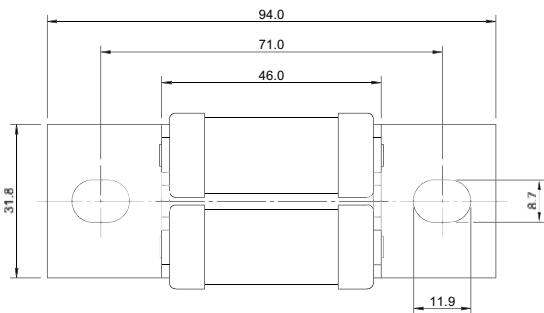
CE, designed and tested to BS88 part 4, IEC 60269 Part 4, Consult Eaton for specific UL Recognition status. CCC for ET, FE, EET, FEE.



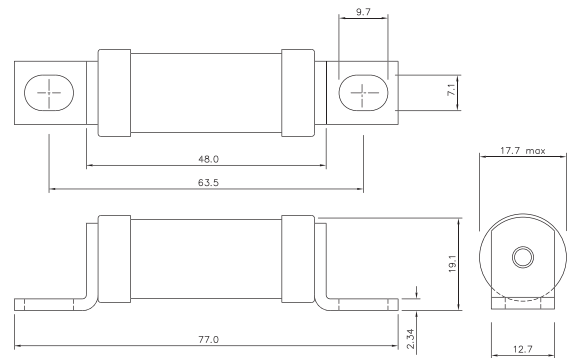
Dimensions - mm



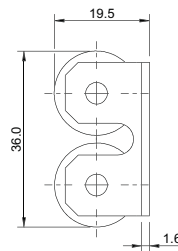
CT



EET, FEE



ET, FE



Data sheets: 5785312 (CT, ET), 5785314 (FE), 5785313 (EET), 5785292 (FEE)

CT, ET, FE, EET, FEE

690 V a.c./500 V d.c. (IEC), 700 V a.c./500 V d.c. (UL),

6 to 200 A

Fuse link type	Rated voltage	Rated current (Amps)	I ² t (A ² Sec)			Watts loss (W)	Catalogue numbers
			Pre-arcing	Clearing at 415V a.c.	Clearing at 660 V a.c.		
CT	690 V a.c. / 500 V d.c. (IEC)	6	1.8	8.5	12	2	6CT
		10	7	30	48	3	10CT
	700 V a.c. / 500 V d.c. (UL)	12	10	40	65	3	12CT
		16	16	66	110	7	16CT
		20	32	150	220	7	20CT
ET	690 V a.c. / 500 V d.c. (IEC)	25	25	150	250	7	25ET
		32	32	190	350	11	32ET
		35	52	310	500	11	35ET
	700 V a.c. / 500 V d.c. (UL)	40	103	600	900	9	40ET
		45	103	680	1100	11	45ET
		56	135	950	1500	14	56ET
		63	171	1200	2000	16	63ET
FE	690 V a.c. / 500 V d.c. (IEC)	80	360	2500	4000	18	80ET
		35	33	130	200	9	35FE
		40	52	180	300	9	40FE
		45	76	270	450	11	45FE
	700 V a.c. / 500 V d.c. (UL)	50	103	380	600	11	50FE
		63	135	480	750	12	63FE
		71	210	600	950	17	71FE
		80	250	900	1500	20	80FE
EET	690 V a.c. / 500 V d.c. (IEC)	90	360	1300	2100	20	90FE
		100	470	1800	2800	23	100FE
	700 V a.c. / 500 V d.c. (UL)	90	490	3000	4500	19	90EET
		110	600	4000	6500	27	110EET
FEE	690 V a.c. / 500 V d.c. (IEC)	140	1050	7000	12,000	35	140EET
		160	1500	10,000	17,000	39	160EET
	700 V a.c. / 500 V d.c. (UL)	100	400	1600	2400	24	100FEE
		120	540	1900	3100	32	120FEE
		140	850	2500	3800	36	140FEE
		160	1000	3700	5700	46	160FEE
200	180	1400	5300	8400	46	180FEE	
	200	1900	7100	11,400	52	200FEE	

Note: FC, 8ET, 12ET, 15ET, 20ET, 65EET and 75EET are available for replacement purposes on existings equipment.

FM, FMM, MT, MMT

690 V a.c. / 350-450 V d.c. (IEC),
700 V a.c. / 500 V d.c. (UL), 160 to 710 A

Specifications

Description

BS88 style bolted tags high speed fuse links for the protection of DC common bus, DC drives, power converters / rectifiers and reduced rated voltage starters.

Technical data

Rated voltage:

- FM: 690 V a.c. / 450 V d.c. (IEC); 700 V a.c./500 V d.c. (UL).
- FMM: 690 V a.c. / 450 V d.c. (IEC); 700 V a.c. (UL).
- MT and MMT: 690 V a.c. / 350 V d.c. (IEC); 700 V a.c. (UL).

Rated current: 160-710 A.

Breaking capacity:

- FM: 200 kA RMS Sym. (IEC/UL), 40 kA at 450 V d.c. (IEC), 50 kA at 500 V d.c. (UL).
- FMM: 200 kA RMS Sym. (IEC/UL), 40 kA at 450 V d.c. (IEC).
- MT & MMT: 200 kA RMS Sym. (IEC/UL), 40 kA at 350 V d.c. (IEC).

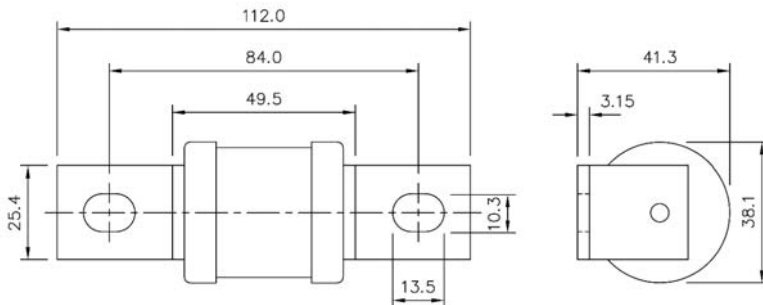
Operating Class: aR.

Standards / Agency information

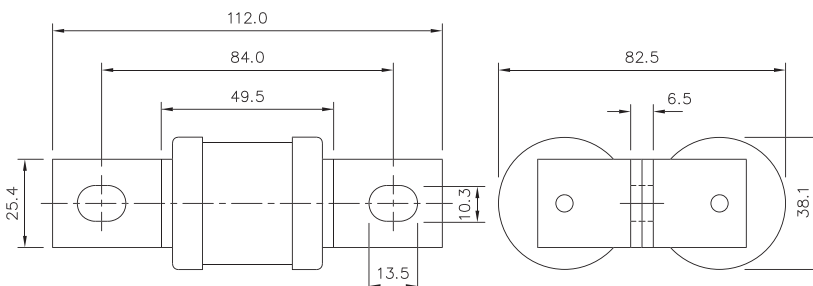
CE, designed and tested to BS88 part 4, IEC 60269 Part 4, UL Recognised. MT and MMT 350 V d.c. (IEC) rating. Consult Eaton for specific UL Recognition status. CCC for FM and FMM.



Dimensions - mm



FM, MT Indicator (optional)



FMM, MMT Indicator (optional)

Data sheets: 5785314 (FM), 5785313 (MT), 5785292 (FMM), 5785311 (MMT)

FM, FMM, MT, MMT

690 V a.c. / 350-450 V d.c. (IEC),
700 V a.c. / 500 V d.c. (UL), 160 to 710 A

Fuse link type	Rated voltage	Rated current (Amps)	Pt (A² Sec)			Watts loss (W)	Catalogue numbers
			Pre-arcing	Clearing at 415V a.c.	Clearing at 660 V a.c.		
FM	690 V a.c. / 450 V d.c. (IEC) 700 V a.c. / 500 V d.c. (UL)	180	1400	7500	13,500	40	180FM
		200	2600	10,500	18,500	40	200FM
		225	3700	14,500	26,500	44	225FM
		250	5200	20,500	37,500	48	250FM
		280	7000	30,500	55,000	48	280FM
		315	10,000	40,000	77,000	55	315FM
		350	15,000	60,000	105,000	55	350FM
FMM	690 V a.c. / 450 V d.c. (IEC) 700 V a.c. (UL)	400	10,000	40,000	72,500	85	400FMM
		450	15,000	60,000	105,000	90	450FMM
		500	20,000	82,000	150,000	100	500FMM
		550	30,000	120,000	215,000	100	550FMM
		630	45,000	180,000	310,000	100	630FMM
MT	690 V a.c. / 350 V d.c. (IEC) 700 V a.c. (UL)	700	60,000	245,000	420,000	120	700FMM
		160	2400	15,000	25,000	26	160MT
		180	3800	25,000	38,000	26	180MT
		200	6000	40,000	58,000	27	200MT
		250	11,500	80,000	110,000	32	250MT
		280	16,500	100,000	150,000	35	280MT
		315	19,000	125,000	180,000	42	315MT
MMT	690 V a.c. / 350 V d.c. (IEC) 700 V a.c. (UL)	355	22,000	160,000	200,000	51	355MT
		180	1650	12,000	18,000	42	180MMT
		200	2200	16,000	23,000	42	200MMT
		225	3700	26,000	40,000	42	225MMT
		280	6600	47,000	70,000	47	280MMT
		315	8600	62,000	91,000	51	315MMT
		355	13,500	97,000	140,000	54	355MMT
		400	21,000	150,000	220,000	60	400MMT
		450	30,000	220,000	320,000	57	450MMT
		500	42,000	300,000	450,000	64	500MMT
		560	60,000	430,000	640,000	64	560MMT
		630	68,500	500,000	720,000	86	630MMT
		710	78,000	600,000	850,000	105	710MMT

Ferrule fuse links

10 x 38 mm and 21 x 51 mm, FWA

150 V a.c. / V d.c. (UL), 5 to 60 A

Specifications

Description

Ferrule style high speed fuse links for the protection of DC common bus, DC drives, power converters / rectifiers and reduced rated voltage starters.

Technical data

Rated voltage: 150 V a.c. / V d.c. (UL).

Rated current: 5-60 A.

Breaking capacity:

- 200 kA RMS Sym.
- 50 kA DC at 150 V d.c..

Operating class: aR.

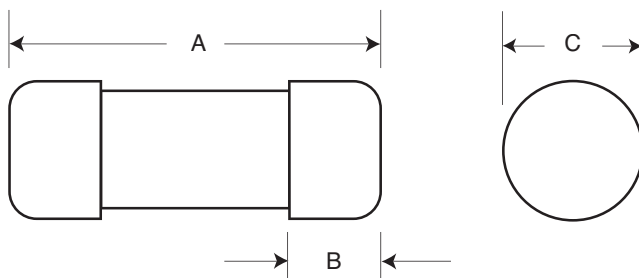
Standards / Agency information

CE, UL recognised.



Fuse link size	Rated voltage	Rated current (Amps)	I ² t (A ² Sec)		Watts loss (W)	Catalogue numbers
			Pre-arcing	Clearing at 150 V a.c.		
10 x 38 mm (¹³ / ₃₂ " x 1 1/2")	150 V a.c. / V d.c. (UL)	5	1.6	8	2	FWA-5A10F
		10	3.6	16	2.7	FWA-10A10F
		15	14	50	3.3	FWA-15A10F
		20	33	130	3.8	FWA-20A10F
		25	58	220	4.9	FWA-25A10F
		30	100	400	4.9	FWA-30A10F
21 x 51 mm (¹³ / ₁₆ " x 2")	150 V a.c. / V d.c. (UL)	35	75	800	4.5	FWA-35A21F
		40	100	1000	5.1	FWA-40A21F
		45	130	1300	6	FWA-45A21F
		50	170	1600	7.3	FWA-50A21F
		55	210	2100	8	FWA-55A21F
		60	250	2400	8	FWA-60A21F

Dimensions - in (mm)



Amp range	A	B	C
5-30	1.5 (38.1)	0.38 (9.5)	0.41 (10.3)
35-60	2 (50.8)	0.63 (15.9)	0.81 (20.6)

Data sheets: 720003,5785317 (5-30 A), 5785305 (35-60 A)

14 x 51 mm, FWX

250 V a.c. / V d.c. (UL), 1 to 50 A

Specifications

Description

Ferrule style high speed fuse links for the protection of DC common bus, DC drives, power converters/rectifiers rated voltage starters.

Technical data

Rated voltage:

- 250 V a.c. (UL, all ratings)
- 250 V d.c. (UL, 5-50 A only).

Rated current: 1-50 A.

Breaking capacity:

- 200 kA RMS Sym. (UL, all ratings)
- 50 kA at 250 V d.c. (UL, 5-30 A only).

Operating class: aR.

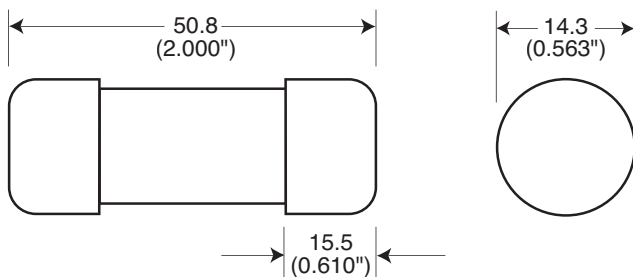
Standards / Agency information

CE, UL recognised 1-50 A & CSA component acceptance: 5-30 A.



Fuse link size	Rated voltage	Rated current (Amps)	I ² t (A ² Sec)		Watts loss (W)	Catalogue numbers
			Pre-arcing	Clearing at 250 V a.c.		
14 x 51mm (9/16" x 2")	250 V a.c. (UL)	1	0.03	0.4	5.7	FWX-1A14F
		2	0.08	0.1	8.6	FWX-2A14F
		3	0.11	0.26	2.8	FWX-3A14F
		4	0.1	0.23	3	FWX-4A14F
	250 V a.c. / V d.c. (UL)	5	1.6	13	1.3	FWX-5A14F
		10	3.6	24	3.4	FWX-10A14F
		15	14	83	3.8	FWX-15A14F
		20	33	200	4.6	FWX-20A14F
		25	58	300	5.3	FWX-25A14F
		30	100	500	5.9	FWX-30A14F
		50	200	1800	5.7	FWX-50A14F

Dimensions - mm (in)



6 x 32 mm, FWH

500 V a.c. (UL), 0.25 to 30 A

Specifications

Description

Ferrule style high speed fuse links for the protection of DC common bus, DC drives, power converters/rectifiers and reduced rated voltage starters.

Technical data

Rated voltage:

- 500 V a.c. (UL)
- 600 V d.c. (UL, 2A and 5A only).

Rated current: 0.25-30 A.

Breaking capacity:

- 50 kA (0.25-20 A)
- 20 kA (25-30 A)¹
- 50 kA at 600 V d.c. (UL 2 and 5A only).

Operating class: aR.

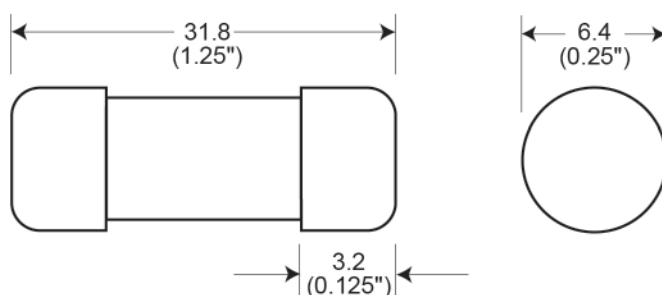
Standards / Agency information

CE, UL recognised 0.25-30 A including 2A at 1000 V a.c., CSA component
Acceptance: 0.25-7 A.



Fuse link size	Rated voltage	Rated current (Amps)	I ² t (A ² Sec)		Watts loss (W)	Catalogue numbers
			Pre-arcing	Clearing at 500 V a.c.		
6 x 32 mm (¼" x 1¼")	500 V a.c. (UL)	0.25	0.01	0.05	2.7	FWH--250A6F
		0.5	0.05	0.25	1.2	FWH--500A6F
		1	0.4	2	1.7	FWH-001A6F
	500 V a.c. / 600 V d.c. (UL)	2	1.3	3.5	3.2	FWH-002A6F
		3.15	3.1	7.7	2.9	FWH-3-15A6F
	500 V a.c. / 600 V d.c. (UL)	5	15	40	2.1	FWH-005A6F
		6.3	36	90	2.3	FWH-6-30A6F
	500 V a.c. (UL)	7	50	125	2.5	FWH-007A6F
		10	9.9	139	2.86	FWH5-010A6F
		12.5	20	60	3.53	FWH5-12-5A6F
		15	44	146	3.08	FWH5-015A6F
		16	48	177	4.48	FWH5-016A6F
		20	75	259	4.26	FWH5-020A6F
		25	126	345	-	FWH-025A6F
		30	145	430	-	FWH-030A6F

Dimensions - mm (in)



¹ Tested at PF = 76%.

Data sheets: 720038, 5785256 (0.25-7A), 50955 (10-30 A)

14 x 51 mm, FWH

500 V a.c. / V d.c. (UL), 1 to 30 A

Specifications

Description

Ferrule style high speed fuse links for the protection of DC common bus, DC drives, power converters/rectifiers and reduced rated voltage starters.

Technical data

Rated voltage:

- 500 V a.c. (UL, all ratings)
- 500 V d.c. (UL, 5-30 A only)

Rated current: 1-30 A

Breaking capacity:

- 200 kA RMS Sym. all ratings
- 50 kA at 500 V d.c. 5-30 A only

Operating class: aR

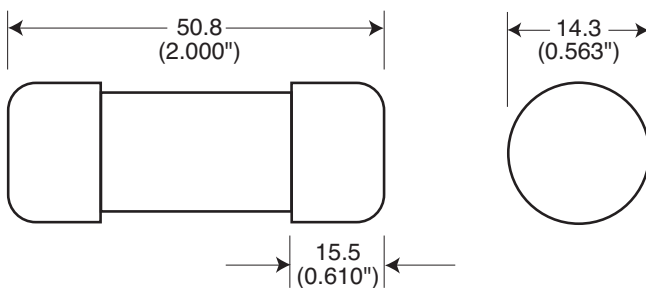
Standards / Agency information

CE, UL Recognised 1-30 A & CSA Component Acceptance: 5-30 A.



Fuse link size	Rated voltage	Rated current (Amps)	I ² t (A ² Sec)		Watts loss (W)	Catalogue numbers
			Pre-arcing	Clearing at 500 V a.c.		
14 x 51 mm (⁹ / ₁₆ " x 2")	500 V a.c.(UL)	1	0.04	0.2	5.7	FWH-1A14F
		2	0.08	0.1	8.7	FWH-2A14F
		3	0.11	0.2	2.8	FWH-3A14F
		4	0.1	0.2	3	FWH-4A14F
	500 V a.c. / V d.c. (UL)	5	2	7	1.5	FWH-5A14F
		6	2	7	1.5	FWH-6A14F
		10	4	15	4	FWH-10A14F
		12	7	25	4.3	FWH-12A14F
		15	10	40	5.5	FWH-15A14F
		20	26	100	6.5	FWH-20A14F
		25	49	200	7	FWH-25A14F
		30	58	240	9	FWH-30A14F

Dimensions - mm (in)



10 x 38 mm, FWC

600-700 V a.c. / 700 V d.c. (UL), 1 to 32A

Specifications

Description

Ferrule style high speed fuse links for the protection of DC common bus, DC drives, power converters/rectifiers and reduced rated voltage starters.

Technical data:

Rated voltage:

- 700 V a.c. / V d.c. (UL, 1-4 A)
- 600 V a.c. (UL, 6-32 A), 700 V d.c. (UL, 6-25 A)

Rated current: 1-32 A

Breaking capacity:

- 200 kA RMS Sym. at 600 V a.c. (6-32 A)
- 200 kA RMS Sym. at 700 V a.c. (1-4 A)
- 10 kA DC at 700 V d.c. (1-25 A)

Operating class: aR

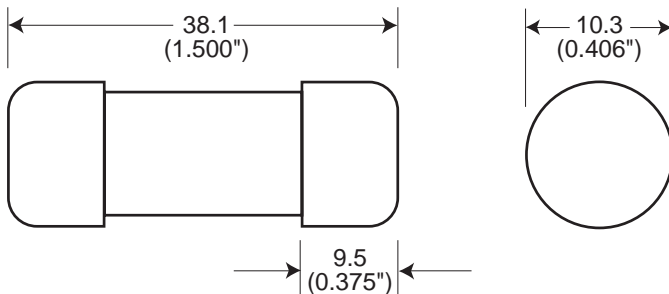
Standards / Agency information

CE, UL Recognised: 6-32 A.



Fuse link size	Rated voltage	Rated current (Amps)	I ² t (A ² Sec)		Watts loss (W)	Catalogue numbers
			Pre-arcing	Clearing at 600 V a.c.		
10 x 38 mm (13/32" x 1 1/2")	700 V a.c. / V d.c. (UL)	1	0.2	1.2	0.5	FWC-1A10F
		2	0.5	3	1.2	FWC-2A10F
		3	1.6	11	1.5	FWC-3A10F
		4	5.2	32	1.5	FWC-4A10F
	600 V a.c. / 700 V d.c. (UL)	6	4	30	1.5	FWC-6A10F
		8	6	50	2	FWC-8A10F
		10	9	70	2.5	FWC-10A10F
		12	15	120	3	FWC-12A10F
		16	25	150	3.5	FWC-16A10F
		20	34	260	4.8	FWC-20A10F
	600 V a.c. (UL)	25	60	390	6	FWC-25A10F
		32	95	600	7.5	FWC-32A10F

Dimensions - mm (in)



10 x 38 mm, FWP, gR

690 V a.c., 4 to 32 A

Specifications

Description

The 10 x 38 mm cylindrical, class gR fuse links are used to protect AC/DC Drives and semi-conductors.

Technical data:

Rated voltage:	690 V a.c.
Rated current:	4 to 32 A
Breaking capacity:	200 kA a.c.
Operating class:	gR

Compatible fuse holder

CHM see pages 144-145

Standards / Agency information

IEC 60269-4, UL 248-13



Fuse link size	Type	Rated voltage	Rated current (Amps)	I ² t (A ² Sec)		Watts loss (W)	Catalogue numbers
				Pre-arcing	Clearing at 690 V a.c.		
10 x 38 mm	Without striker	690 V a.c.	4	5.6	17	2.05	FWP-4G10F
			6	16	48	3	FWP-6G10F
			8	4.3	38	1.68	FWP-8G10F
			10	6.6	59	2.09	FWP-10G10F
			12	9.6	84	2.99	FWP-12G10F
			16	17	150	4.27	FWP-16G10F
			20	23.5	200	5.35	FWP-20G10F
			25	60.2	512	5.52	FWP-25G10F
			32	94	800	7.43	FWP-32G10F

14 x 51 mm, FWP, gR

690 V a.c., 4 to 50 A

Specifications

Description

The 14 x 51 mm cylindrical, class gR fuse links are used to protect AC/DC Drives and semi-conductors.

Technical data:

Rated voltage:	690 V a.c.
Rated current:	4 to 50 A
Breaking capacity:	200 kA a.c.
Operating class:	gR

Compatible fuse holder

CH14 see pages 146-147

Standards / Agency information

IEC 60269-4, UL 248-13



Fuse link size	Type	Rated voltage	Rated current (Amps)	I ² t (A ² Sec)		Watts loss (W)	Catalogue numbers
				Pre-arcing	Clearing at 690 V a.c.		
14 x 51 mm	Without striker	690 V a.c.	4	5.6	17	2.94	FWP-4G14F
			6	16	48	4.2	FWP-6G14F
			8	3.8	30	2	FWP-8G14F
			10	5.9	47	2.52	FWP-10G14F
			12	8.4	68	3.54	FWP-12G14F
			16	15	120	4.83	FWP-16G14F
			20	27	170	5.4	FWP-20G14F
			25	53	333	6	FWP-25G14F
			32	108	679	6.93	FWP-32G14F
			40	211	1331	7.52	FWP-40G14F
	50	350	2200	9.8	FWP-50G14F		
	With striker	690 V a.c.	8	3.8	30	2	FWP-8G14FI
			10	5.9	47	2.52	FWP-10G14FI
			12	8.4	68	3.54	FWP-12G14FI
			16	15	120	4.83	FWP-16G14FI
			20	27	170	5.4	FWP-20G14FI
			25	53	333	6	FWP-25G14FI
			32	108	679	6.93	FWP-32G14FI
			40	211	1331	7.52	FWP-40G14FI
			50	350	2200	9.8	FWP-50G14FI

22 x 58 mm, FWP, gR

690 V a.c., 20 to 100 A

Specifications

Description

The 22 x 58 mm cylindrical, class gR fuse links are used to protect AC/DC Drives and semi-conductors.

Technical data:

Rated voltage:	690 V a.c.
Rated current:	20 to 100 A
Breaking capacity:	200 kA a.c.
Operating class:	gR

Compatible fuse holder

CH22 see pages 148-149

Standards / Agency information

IEC 60269-4, UL 248-13



Fuse link size	Type	Rated voltage	Rated current (Amps)	I ² t (A ² Sec)		Watts loss (W)	Catalogue numbers
				Pre-arcing	Clearing at 690 V a.c.		
22 x 58 mm	Without striker	690 V a.c.	20	24	154	6.00	FWP-20G22F
			25	43	274	6.65	FWP-25G22F
			32	97	616	9.21	FWP-32G22F
			40	180	899	8.24	FWP-40G22F
			50	273	1362	11.85	FWP-50G22F
			63	516	2575	13.80	FWP-63G22F
			80	1092	5448	14.00	FWP-80G22F
			100	2065	10,300	17.70	FWP-100G22F
	With striker	690 V a.c.	20	24	154	6.00	FWP-20G22FI
			25	43	274	6.65	FWP-25G22FI
			32	97	616	9.21	FWP-32G22FI
			40	180	899	8.24	FWP-40G22FI
			50	273	1362	11.85	FWP-50G22FI
			63	516	2575	13.80	FWP-63G22FI
			80	1092	5448	14.00	FWP-80G22FI
			100	2065	10,300	17.70	FWP-100G22FI

14 x 51 mm, FWP

690 V a.c. (IEC), 700 V a.c. (UL), 600 - 700 V d.c. (UL), 1 to 50 A

Specifications

Description

Ferrule style high speed fuse links for the protection of DC common bus, DC drives, power converters/rectifiers and reduced rated voltage starters. Available with or without striker.

Technical data

Rated voltage:

- Without striker: see table.
- With striker: 700 V a.c. / 600 V d.c. (UL).

Rated current: 1-50 A.

Breaking capacity:

- 200 kA RMS Sym.
- 50 kA at 800 V d.c. (5-50 A non striker version).
- 600 V d.c. for striker version.

Operating class: aR

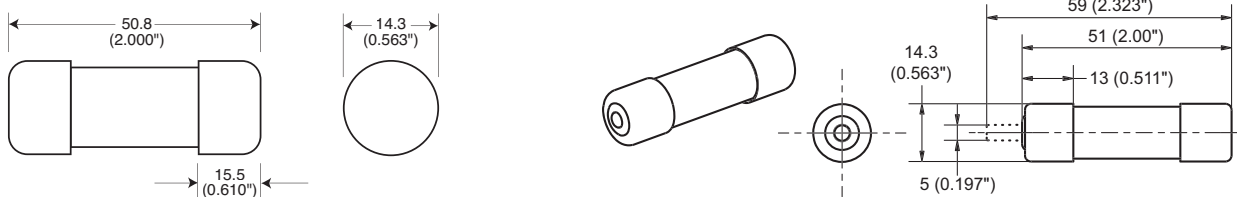
Standards / Agency information

CE, UL recognised & CSA component acceptance for versions without striker only.



Fuse link type	Fuse link size	Rated voltage	Rated current (Amps)	I ² t (A ² Sec)		Watts loss (W)	Catalogue numbers	
				Pre-arcing	Clearing at 700 V a.c.			
Without striker	14 x 51 mm (9/16" x 2")	700 V a.c. (UL)	1	0.04	0.41	5.7	FWP-1A14F	
			2	0.08	0.11	8.7	FWP-2A14F	
			3	0.11	0.26	2.8	FWP-3A14F	
			4	0.1	0.23	3	FWP-4A14F	
			5	2	11	1.5	FWP-5A14F	
		700 V a.c. / 800 V d.c. (UL)	10	4	22	4	FWP-10A14F	
			15	10	70	5.5	FWP-15A14F	
			20	26	180	6.5	FWP-20A14F	
			25	49	320	7	FWP-25A14F	
			30	58	400	9	FWP-30A14F	
		700 V a.c./800 V d.c. Resistive (UL)	32	68	600	8	FWP-32A14F	
			40	84	750	8	FWP-40A14F	
			50	200	1800	9	FWP-50A14F	
			690 V a.c. (IEC)	10	4	32	2	FWP-10A14FI
				15	7	63	4	FWP-15A14FI
20	26	234		4	FWP-20A14FI			
25	42	378		4	FWP-25A14FI			
30	52	468		6	FWP-30A14FI			
With striker	14 x 51 mm (9/16" x 2")	700 V a.c. / 600 V d.c. (UL)	32	68	600	8	FWP-32A14FI	
			40	84	750	8	FWP-40A14FI	
			50	200	1800	9	FWP-50A14FI	
			10	4	32	2	FWP-10A14FI	
			15	7	63	4	FWP-15A14FI	

Dimensions - mm (in)



Without striker

With striker

Data sheets: 720025, 5781724 fuses without striker; 5785566 fuses with striker

22 x 58 mm, FWP

700 V a.c. / V d.c. (UL), 20 to 100 A

Specifications

Description

Ferrule style high speed fuse links for the protection of DC common bus, DC drives, power converters/rectifiers and reduced rated voltage starters. Available with or without striker.

Technical data

Rated voltage: 700 V a.c. / V d.c. (UL)

Rated current: 20-100 A

Breaking capacity:

- 200 kA RMS Sym.
- 50 kA at 700 V d.c., t/c 5 ms

Operating Class: aR

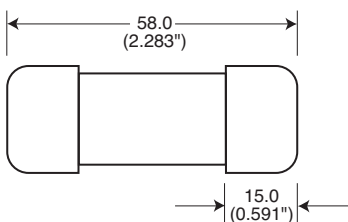
Standards / Agency information

CE, UL Recognised, CSA Component Acceptance for versions without striker only.

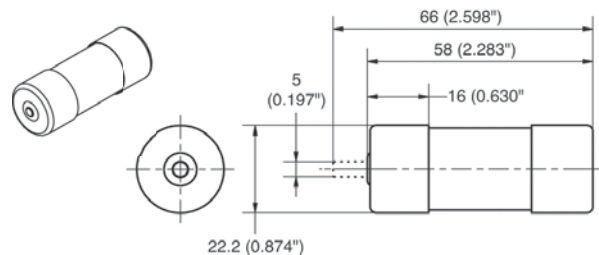


Fuse link type	Fuse link size	Rated voltage	Rated current (Amps)	I²t (A² Sec)		Watts loss (W)	Catalogue numbers
				Pre-arcing	Clearing at 700 V a.c.		
Without striker	22 x 58 mm (7/8" x 2 9/32")	700 V a.c./ 700 V d.c. (UL)	20	23	330	5	FWP-20A22F
			25	37	530	6	FWP-25A22F
			32	55	780	8	FWP-32A22F
			40	68	960	12	FWP-40A22F
			50	155	2200	12.5	FWP-50A22F
			63	280	4000	15	FWP-63A22F
			80	550	7800	15	FWP-80A22F
			100	1100	15,600	16.5	FWP-100A22F
With striker	22 x 58 mm (7/8" x 2 9/32")	700 V a.c./ 700 V d.c. (UL)	20	19	260	5	FWP-20A22FI
			25	34	410	6	FWP-25A22FI
			32	53.5	605	8	FWP-32A22FI
			40	68	750	9	FWP-40A22FI
			50	135	1600	9.5	FWP-50A22FI
			63	280	3080	11	FWP-63A22FI
			80	600	6600	13.5	FWP-80A22FI
			100	1100	12,500	16	FWP-100A22FI

Dimensions - mm (in)



Without striker



With striker

Data sheets: 720026, 5781723

20 x 127 mm and 25 x 146 mm, FWK

750 V d.c. (IEC), 5 to 60 A

Specifications

Description

Ferrule style high speed fuse links for the protection of DC common bus, DC drives, power converters/rectifiers and reduced rated voltage starters.

Technical Data

Rated voltage: 750 V d.c. (IEC)

Rated current:

- 5-30 A (20 x 127 mm)
- 35-60 A (25 x 146 mm)

Breaking capacity: 50 kA at 750 V d.c., L/R 10-15ms

Operating class: gG

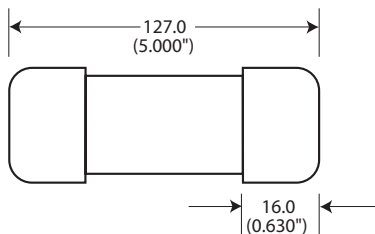
Standards / Agency information:

CE.

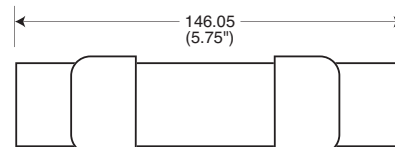
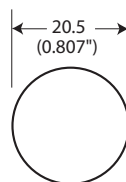


Fuse link size	Rated voltage	Rated current (Amps)	I ² t (A ² Sec)		Watts loss (W)	Catalogue numbers
			Pre-arcing	Clearing at 750 V d.c.		
20 x 127 mm (1 ³ / ₁₆ " x 5")	750 V d.c. (IEC)	5	8.5	16	6.7	FWK-5A20F
		8	50	100	8.8	FWK-8A20F
		10	95	200	8.5	FWK-10A20F
		15	100	240	5	FWK-15A20F
		20	125	315	7.8	FWK-20A20F
		25	400	1100	6.5	FWK-25A20F
		30	800	2600	6.5	FWK-30A20F
25 x 146 mm (1" x 5 ³ / ₄ ")	750 V d.c. (IEC)	35	1300	4600	6	FWK-35A25F
		40	1600	5300	6.8	FWK-40A25F
		50	3100	12,000	7.3	FWK-50A25F
		60	5900	24,000	7.7	FWK-60A25F

Dimensions - mm (in)



20 x 127 mm 5-30 A



25 x 146 mm 35-60 A



14 x 67 mm, FWJ

1000 V a.c. / 800 V d.c. (UL), 20 to 30 A

Specifications

Description

Ferrule style high speed fuse links for the protection of DC common bus, DC drives, power converters/rectifiers and reduced rated voltage starters. Available with or without striker for remote indication.

Technical data

Rated voltage: 1000 V a.c. / 800 V d.c.

Rated current: 20-30 A

Breaking capacity:

- 25kA RMS Sym.
- 50 kA at 800 V d.c.

Operating class: a-R

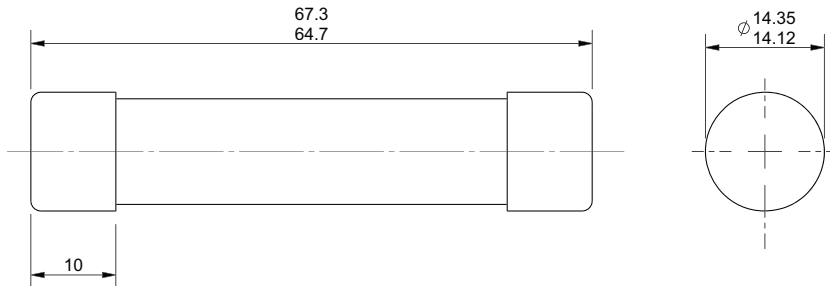
Standards / Agency information

CE, UL Recognised.



Fuse link size	Rated voltage	Rated current (Amps)	I ² t (A ² Sec)		Watts loss (W)	Catalogue numbers
			Pre-arcing	Clearing at 1000 V a.c.		
14 x 67 mm (⁹ / ₁₆ " x 2 ⁵ / ₈ ")	1000 V a.c./ 800 V d.c. (UL)	20	25	220	9	FWJ-20A14F
		25	33	350	11	FWJ-25A14F
		30	52	450	14	FWJ-30A14F

Dimensions - mm



20 x 127 mm, FWL

1200 V a.c. / 1000 V d.c. (IEC), 20 to 30 A

Specifications

Description

Ferrule style high speed fuse links for the protection of DC common bus, DC drives, power converters/rectifiers and reduced rated voltage starters. Available with indicator.

Technical data

Rated voltage: 1200 V a.c. / 1000 V d.c. (IEC)

Rated current: 20-30 A

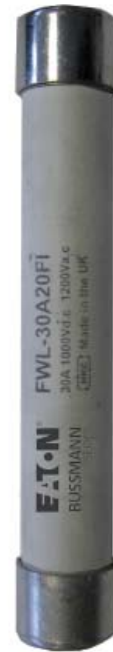
Breaking capacity:

- 50 kA RMS Sym.
- 50 kA at 1000 V d.c.

Operating Class: gR

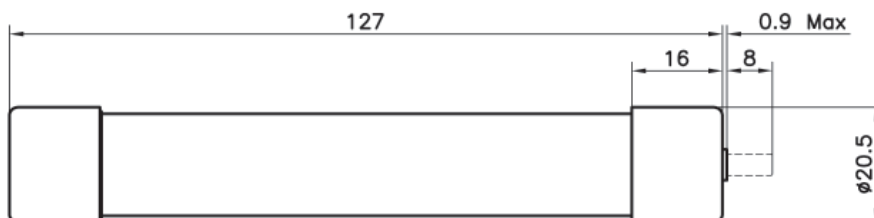
Standards / Agency information:

CE.



Fuse link size	Rated voltage	Rated current (Amps)	I ² t (A ² Sec)		Watts loss (W)	Catalogue numbers	
			Pre-arcing	Clearing at 1000 V a.c.		Without indicator	With indicator
20 x 127 mm (13/16" x 5")	1200 V a.c./ 1000 V d.c. (IEC)	20	675	1550	5.9	FWL-20A20F	FWL-20A20FI
		25	1200	2760	6.5	FWL-25A20F	FWL-25A20FI
		30	1850	4300	7.5	FWL-30A20F	FWL-30A20FI

Dimensions - mm



20 x 127 mm, FWS

1400 - 2000 V a.c. / 1000 V d.c. (IEC), 2 to 15 A

Specifications

Description

Ferrule style high speed fuse links for the protection of DC common bus, DC drives, power converters/rectifiers and reduced rated voltage starters. Available with indicator.

Technical Data

Rated voltage:

- 2000 V a.c. / 1000 V d.c. (IEC, 2-8 A)
- 1400 V a.c. / 1000 V d.c. (IEC, 10-15 A)

Rated current: 2-15 A

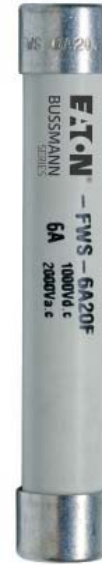
Breaking capacity:

- 50 kA RMS Sym.
- 50 kA at 1000 V d.c. (2-10 A only)

Operating class: gG

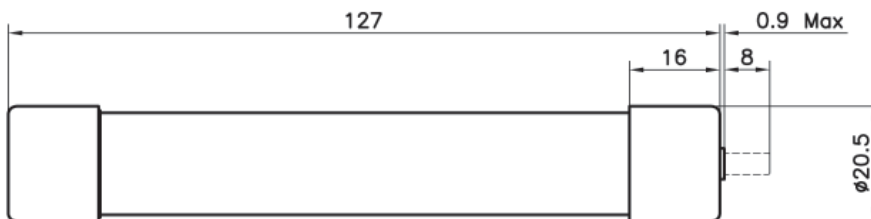
Standards/Agency Information:

CE.



Fuse link size	Rated voltage	Rated current (Amps)	I ² t (A ² Sec)		Watts loss (W)	Catalogue numbers	
			Pre-arcing	Clearing at 1000 V a.c.		Without indicator	With indicator
20 x 127 mm (13/16" x 5")	2000 V a.c./1000 V d.c. (IEC)	2	0.8	2.4	4.4	FWS-2A20F	FWS-2A20FI
		6	27	81	6.7	FWS-6A20F	FWS-6A20FI
		8	64	192	7.6	FWS-8A20F	FWS-8A20FI
	1400 V a.c./ 1000 V d.c. (IEC)	10	118	277	3	FWS-10A20F	FWS-10A20FI
		12	170	380	3.4	FWS-12A20F	FWS-12A20FI
		15	209	500	5	FWS-15A20F	FWS-15A20FI

Dimensions - mm



Square body fuse links

Size 000 and 00, DIN 43653, 170M

690 V a.c. (IEC), 700 V a.c. / V d.c. (UL), 10 to 400 A

Specifications

Description

Square body DIN 43653 bolted tags high speed fuse links, for the protection of DC common bus, DC drives, power converters/rectifiers and reduced rated voltage starters.

Technical data

Rated voltage:

- 690 V a.c. (IEC, size 000 and 00)
- 700 V a.c. (UL, size 000; size 00 100-400 A only)
- 700 V d.c. (UL, size 000)

Rated current: 10-400 A

Breaking capacity:

- 200 kA RMS Sym.
- 50 kA at 700 V d.c. (size 000 only)

Operating class

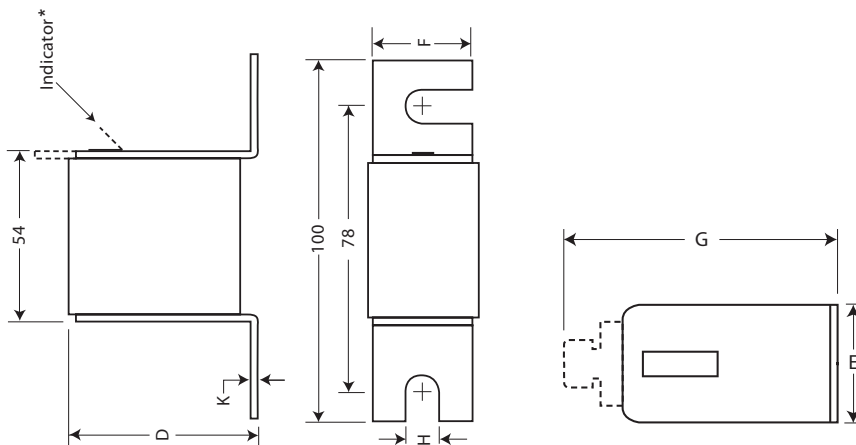
- gR - size 000 (10-63 A), size 00 (25-80 A)
- aR - size 000 (>63 A), size 00 (>80 A)

Standards/Agency Information

CE, Designed and tested to IEC 60269 part 4. UL Recognised/CSA Component Acceptance on Size 000. CCC approved.



Dimensions - mm



* Indication for Size 00 fuses is a red pin.

The dotted line illustrates the Type T indicator fuse link.

Type -U/80, -/80, -TN/80						
Size	D	E	F	G	H	K
000	40	21	20	51	8	2
00	51	30	28	67	10	2

Data sheets: 170K6310 (Size 000), 170K6312 (Size 00)

Size 000 and 00, DIN 43653, 170M

690 V a.c. (IEC), 700 V a.c. / V d.c. (UL), 10 to 400 A

Fuse link body size	Rated voltage	Rated current (Amps)	I ² t (A ² Sec)		Watts loss (W)	Catalogue numbers		
			Pre-Arcing	Clearing at 660 V a.c.		-U/80 Without indicator	-/80 Visual indicator	-TN/80 Type T indicator for micro
000	690 V a.c. (IEC) 700 V a.c. / V d.c. (UL)	10	3.8	25.5	3	170M1308	170M1358	170M1408
		16	7.2	48	5.5	170M1309	170M1359	170M1409
		20	11.5	78	7	170M1310	170M1360	170M1410
		25	19	130	9	170M1311	170M1361	170M1411
		32	40	270	10	170M1312	170M1362	170M1412
		40	69	460	12	170M1313	170M1363	170M1413
		50	115	770	15	170M1314	170M1364	170M1414
		63	215	1450	16	170M1315	170M1365	170M1415
		80	380	2550	19	170M1316	170M1366	170M1416
		100	695	4650	24	170M1317	170M1367	170M1417
		125	1250	8500	28	170M1318	170M1368	170M1418
		160	2350	16,000	32	170M1319	170M1369	170M1419
		200	4200	28,000	37	170M1320	170M1370	170M1420
		250	7750	51,500	42	170M1321	170M1371	170M1421
315	12,000	80,500	53	170M1322	170M1372	170M1422		
00	690 V a.c. (IEC)	25	19	130	6		170M2608	170M2658
		32	28.5	195	7		170M2609	170M2659
		40	50	360	9		170M2610	170M2660
		50	95	640	10		170M2611	170M2661
		63	170	1200	12		170M2612	170M2662
		80	310	2100	15		170M2613	170M2663
00	690 V a.c. (IEC) 700 V a.c. (UL)	100	620	4150	20		170M2614	170M2664
		125	1000	6950	25		170M2615	170M2665
		160	1900	13,000	30		170M2616	170M2666
		200	3400	23,000	35		170M2617	170M2667
		250	6250	42,000	45		170M2618	170M2668
		315	10,000	68,500	55		170M2619	170M2669
		350	13,500	91,500	60		170M2620	170M2670
		400	18,000	125,000	70		170M2621	170M2671

Size 1* to 3, DIN 43653, 170M

690 V a.c. (IEC), 700 V a.c. (UL), 40 to 2000 A

Specifications

Description

Square body DIN 43653 bolted tags high speed fuse links, for the protection of DC common bus, DC drives, power converters/rectifiers and reduced rated voltage starters.

Technical data

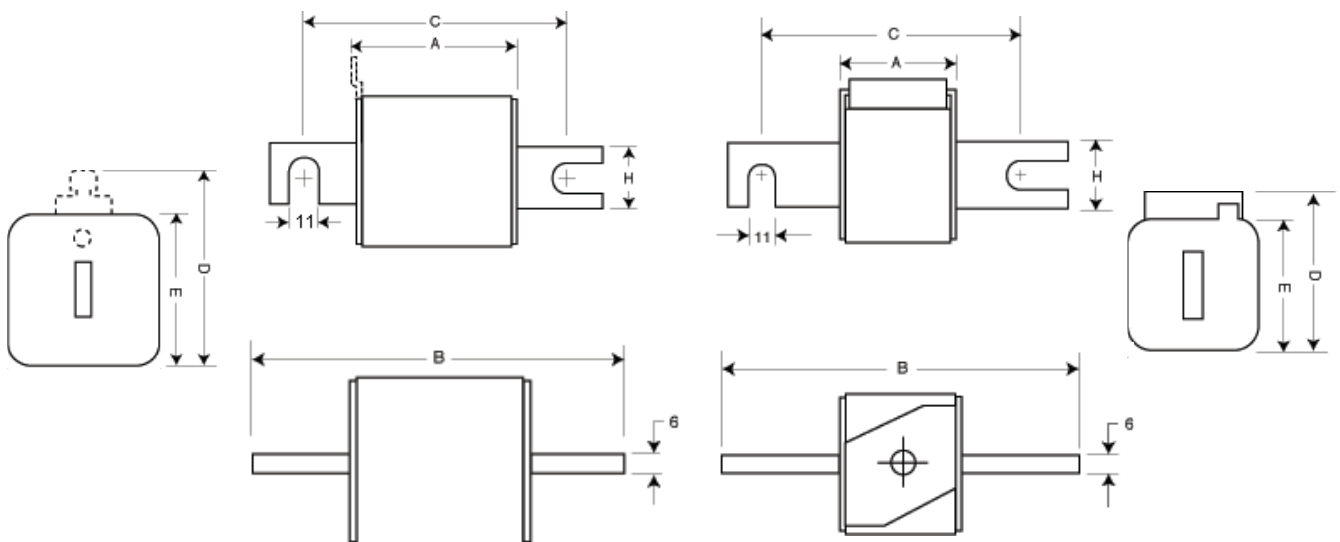
Rated voltage: 690 V a.c. (IEC) / 700 V a.c. (UL)
 Rated current: 40-2000 A
 Breaking capacity: 200 kA RMS Sym.
 Operating class: aR

Standards / Agency information

CE, Designed and tested to IEC60269 Part 4. Consult Eaton for UL Recognition/CSA Component Acceptance status. CCC except where noted.



Dimensions - mm



Type -/80, -TN/80, -/110, -TN/110								
Size	A	B	B ¹	C	C ¹	D ²	E	H
1*	50	104	134	78	108	58	45	22
1	50	108	138	78	108	66	53	25
2	50	108	138	78	108	75	61	25
3	51	109	139	78	108	90	76	30

¹ Valid for fuse links type -/110, -TN/110.
² Valid for Fuse type -TN/80 and -TN/110.

1mm = 0.0394"

Type -KN/80, -KN/110								
Size	A	B	B ³	C	C ³	D	E	H
1*	50	104	134	78	108	59	45	22
1	50	108	138	78	108	69	53	25
2	50	108	138	78	108	77	61	25
3	51	109	139	78	108	92	76	30

³ Valid for fuse links type -KN/110.
 1mm = 0.0394"

Size 1* to 3, DIN 43653, 170M

690 V a.c. (IEC), 700 V a.c. (UL), 40 to 2000 A

Fuse link body size	Rated voltage	Rated current (Amps)	I ² t (A ² Sec)		Watts loss (W)	Catalogue numbers						
			Pre-arcing	Clearing at 660 V a.c.		-/80 Visual indicator	-TN/80 Type T indicator for micro	-KN/80 Type K indicator for micro	-/110 Visual indicator	-TN/110 Type T indicator for micro	-KN/110 Type K indicator for micro	
1*	690 V a.c. (IEC)	40	40	270	9	170M3008	170M3058	170M3108	170M3158	170M3208	170M3258	
		50	77	515	11	170M3009	170M3059	170M3109	170M3159	170M3209	170M3259	
		63	115	770	14	170M3010	170M3060	170M3110	170M3160	170M3210	170M3260	
		80	185	1250	18	170M3011	170M3061	170M3111	170M3161	170M3211	170M3261	
		100	360	2450	21	170M3012	170M3062	170M3112	170M3162	170M3212	170M3262	
		125	550	3700	26	170M3013	170M3063	170M3113	170M3163	170M3213	170M3263	
		160	1100	7500	30	170M3014	170M3064	170M3114	170M3164	170M3214	170M3264	
		200	2200	15,000	35	170M3015	170M3065	170M3115	170M3165	170M3215	170M3265	
		700 V a.c. (UL)	250	4200	28,500	40	170M3016	170M3066	170M3116	170M3166	170M3216	170M3266
			315	7000	46,500	50	170M3017	170M3067	170M3117	170M3167	170M3217	170M3267
			350	10,000	68,500	55	170M3018	170M3068	170M3118	170M3168	170M3218	170M3268
			400	15,000	105,000	60	170M3019	170M3069	170M3119	170M3169	170M3219	170M3269
			450	21,000	140,000	65	170M3020	170M3070	170M3120	170M3170	170M3220	170M3270
			500	27,000	180,000	70	170M3021	170M3071	170M3121	170M3171	170M3221	170M3271
			550	34,000	230,000	75	170M3022	170M3072	170M3122	170M3172	170M3222	170M3272
630	48,500	325,000	80	170M3023	170M3073	170M3123	170M3173	170M3223	170M3273			
1	690 V a.c. (IEC)	200	1650	11,500	45	170M4008	170M4058	170M4108	170M4158	170M4208	170M4258	
		250	3100	21,000	55	170M4009	170M4059	170M4109	170M4159	170M4209	170M4259	
		315	6200	42,000	58	170M4010	170M4060	170M4110	170M4160	170M4210	170M4260	
		350	8500	59,000	60	170M4011	170M4061	170M4111	170M4161	170M4211	170M4261	
		400	13,500	91,500	65	170M4012	170M4062	170M4112	170M4162	170M4212	170M4262	
		450	17,000	120,000	70	170M4013	170M4063	170M4113	170M4163	170M4213	170M4263	
		700 V a.c. (UL)	500	25,000	170,000	72	170M4014	170M4064	170M4114	170M4164	170M4214	170M4264
			550	34,000	230,000	75	170M4015	170M4065	170M4115	170M4165	170M4215	170M4265
			630	52,000	350,000	80	170M4016	170M4066	170M4116	170M4166	170M4216	170M4266
			700	69,500	465,000	85	170M4017	170M4067	170M4117	170M4167	170M4217	170M4267
800	105,000		725,000	95	170M4018	170M4068	170M4118	170M4168	170M4218	170M4268		
900 ²	155,000		850,000 ²	100	170M4019 ¹	170M4069 ¹	170M4119 ¹	170M4169 ¹	170M4219 ¹	170M4269 ¹		
2	690 V a.c. (IEC)	400	11,000	74,000	65	170M5008	170M5058	170M5108	170M5158	170M5208	170M5258	
		450	15,500	105,000	70	170M5009	170M5059	170M5109	170M5159	170M5209	170M5259	
		500	21,500	145,000	75	170M5010	170M5060	170M5110	170M5160	170M5210	170M5260	
		550	28,000	190,000	80	170M5011	170M5061	170M5111	170M5161	170M5211	170M5261	
		630	41,000	275,000	90	170M5012	170M5062	170M5112	170M5162	170M5212	170M5262	
		700	60,500	405,000	95	170M5013	170M5063	170M5113	170M5163	170M5213	170M5263	
		700 V a.c. (UL)	800	86,000	575,000	105	170M5014	170M5064	170M5114	170M5164	170M5214	170M5264
			900	125,000	840,000	110	170M5015	170M5065	170M5115	170M5165	170M5215	170M5265
			1000	180,000	1,250,000	115	170M5016	170M5066	170M5116	170M5166	170M5216	170M5266
			1100 ³	245,000	1,600,000	120	170M5017	170M5067	170M5117	170M5167	170M5217	170M5267
1250 ³	365,000	2,400,000	130	170M5018	170M5068	170M5118	170M5168	170M5218	170M5268			
3	690 V a.c. (IEC)	500	14,000	95,000	95	170M6008	170M6058	170M6108	170M6158	170M6208	170M6258	
		550	19,500	135,000	100	170M6009	170M6059	170M6109	170M6159	170M6209	170M6259	
		630	31,000	210,000	105	170M6010	170M6060	170M6110	170M6160	170M6210	170M6260	
		700	44,500	300,000	110	170M6011	170M6061	170M6111	170M6161	170M6211	170M6261	
		800	69,500	465,000	115	170M6012	170M6062	170M6112	170M6162	170M6212	170M6262	
		900	100,000	670,000	120	170M6013	170M6063	170M6113	170M6163	170M6213	170M6263	
		1000	140,000	945,000	125	170M6014	170M6064	170M6114	170M6164	170M6214	170M6264	
		700 V a.c. (UL)	1100	190,000	1,300,000	130	170M6015	170M6065	170M6115	170M6165	170M6215	170M6265
			1250	290,000	1,950,000	140	170M6016	170M6066	170M6116	170M6166	170M6216	170M6266
			1400	370,000	2,450,000	155	170M6017	170M6067	170M6117	170M6167	170M6217	170M6267
			1500	460,000	3,100,000	160	170M6018	170M6068	170M6118	170M6168	170M6218	170M6268
			1600	580,000	3,900,000	160	170M6019	170M6069	170M6119	170M6169	170M6219	170M6269
1800 ⁴	880,000		5,250,000 ⁴	165	170M6020	170M6070	170M6120	170M6170	170M6220	170M6270		
2000 ⁵	1,150,000	6,350,000 ⁵	175	170M6021	170M6071	170M6121	170M6171	170M6221	170M6271			

¹ Not UL Approved ² Rated voltage: 550 V a.c. IEC ³ Rated voltage: 600 V a.c. IEC, 700 V a.c. UL ⁴ Rated voltage: 600 V a.c. IEC, 500 V a.c. UL

⁵ Rated voltage: 550 V a.c. IEC, 500 V a.c. UL

Data sheets: 170K6314 (Size 1*), 170K6316 (Size 1), 170K6318 (Size 2), 170K6320 (Size 3)

Size 00, DIN 43653, 170M

1000 V a.c. (IEC and UL), 20 to 315A

Specifications

Description

Square body DIN 43653 bolted tags high speed fuse links, for the protection of DC common bus, DC drives, power converters/rectifiers and reduced rated voltage starters.

Technical data

Rated voltage:

- 1000 V a.c. (IEC and UL 20-250 A)
- 900 V a.c. (IEC, 315 A)

Rated current: 20-315 A

Breaking capacity: 125 kA RMS Sym.

Operating class: aR

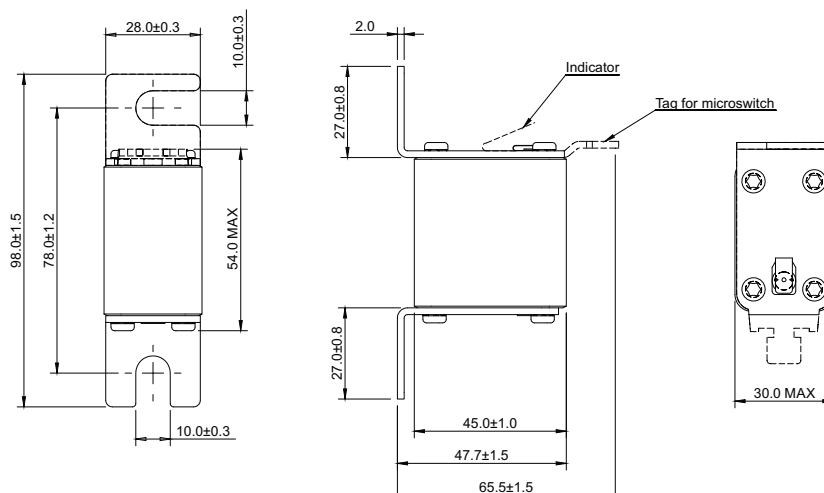
Standards / Agency information

CE, Designed and tested to IEC60269 Part 4, UL Recognised/CSA component acceptance status (20-250 A).



Fuse link body size	Rated voltage	Rated current (Amps)	I ² t (A ² Sec)		Watts loss (W)	Catalogue numbers	
			Pre-arcing	Clearing at rated voltage		00/80 Visual indicator	00TN/80 Type T indicator for micro
00	1000 V a.c. (IEC/UL)	20	20	140	5	170M4802	170M4822
		25	30	210	7	170M4803	170M4823
		32	55	390	9	170M4804	170M4824
		35	69	500	10	170M4805	170M4825
		40	100	690	11	170M4806	170M4826
		50	170	1200	13	170M4807	170M4827
		63	280	2000	18	170M4808	170M4828
		80	500	3500	22	170M4809	170M4829
		100	950	6850	25	170M4810	170M4830
		125	1500	11,500	33	170M4811	170M4831
		160	3000	22,000	37	170M4812	170M4832
		200	5600	40,500	40	170M4813	170M4833
		250	10,000	74,000	48	170M4814	170M4834
		900 V a.c. (IEC)	315	18,000	115,000	58	170M4815

Dimensions - mm



Data sheet: 170K8504

Size 1* to 3, DIN 43653, 170M

1000 V a.c. (IEC and UL), 50 to 1400 A

Specifications

Description

Square body DIN 43653 bolted tags high speed fuse links, for the protection of DC common bus, DC drives, power converters / rectifiers and reduced rated voltage starters.

Technical data

Rated voltage:

- 1000 V a.c. (IEC, 50-1250 A), 900 V a.c. (IEC, 1400 A)
- 1000 V a.c. (UL size 2, size 3, 315-1100 A only)

Rated current: 50-1400 A

Breaking Capacity: 125kA RMS Sym.

Operating Class: aR

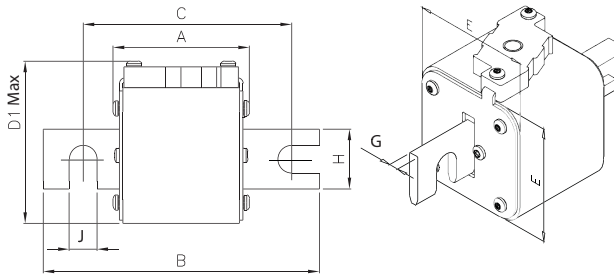
Standards/Agency Information

CE, Designed and tested to IEC60269 Part 4, UL Recognised (only sizes 2 & 3)

CCC only size 3 (315-1100 A)

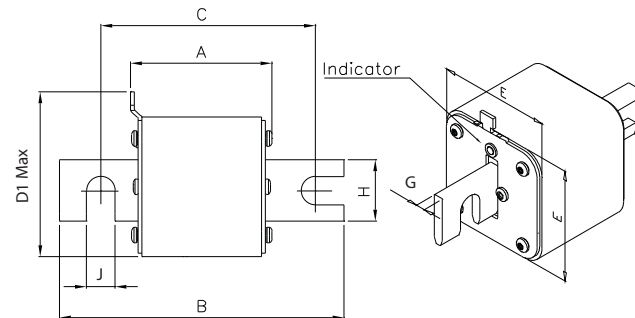


Dimensions - mm



Type -KN/110

Size	A	B	C	D1 (max)	E	G	H	J
1*KN/110	80	138	108	61	43	6	22	11
1KN/110	80	138	108	69	51	6	25	11
2KN/110	80	138	108	77	59	6	25	11
3KN/110	81	139	108	92	74	6	30	11



Type -TN/110

Size	A	B	C	D1 (max)	E	G	H	J
1*TN/110	80	138	108	61	43	6	22	11
1TN/110	80	138	108	69	51	6	25	11
2TN/110	80	138	108	75	59	6	25	11
3TN/110	81	139	108	90	74	6	30	11

Data sheets: 170K8564 (Size 1*), 170K8566 (Size 1), 170K8568 (Size 2), 170K8570 (Size 3)

Size 1* to 3, DIN 43653, 170M

1000 V a.c. (IEC and UL), 50 to 1400 A

Fuse link body size	Rated voltage	Rated current (Amps)	I ² t (A ² Sec)		Watts loss (W)	Catalogue numbers	
			Pre-arcing	Clearing at rated voltage		-KN/110 Type K indicator for micro	-TN/110 Type T indicator for micro
1*	1000 V a.c. (IEC)	50	135	815	20	170M3965	170M3981
		63	215	1300	25	170M3966	170M3982
		80	460	2750	30	170M3967	170M3983
		100	860	5100	35	170M3968	170M3984
		125	1450	8600	40	170M3969	170M3985
		160	2850	17,500	45	170M3970	170M3986
		200	4950	29,500	50	170M3971	170M3987
		250	9550	57,000	55	170M3972	170M3988
		315	21,500	130,000	65	170M3973	170M3989
		350	29,000	175,000	70	170M3974	170M3990
		400	42,000	250,000	75	170M3975	170M3991
		1	1000 V a.c. (IEC) 1000 V a.c. / 750 V d.c. (UL)	160	2200	13,500	40
200	4150			24,500	45	170M4966	170M4981
250	7750			46,000	52	170M4967	170M4982
315	16,500			98,500	60	170M4968	170M4983
350	21,500			130,000	65	170M4969	170M4984
400	31,000			185,000	70	170M4970	170M4985
450	44,500			265,000	80	170M4971	170M4986
500	63,000			375,000	85	170M4972	170M4987
550	84,500			500,000	90	170M4973	170M4988
630	125,000			755,000	98	170M4974	170M4989
2	1000 V a.c. (IEC and UL)	250	6750	40,000	65	170M5966	170M5981
		315	13,500	81,500	75	170M5967	170M5982
		350	16,500	99,000	80	170M5968	170M5983
		400	26,000	155,000	85	170M5969	170M5984
		450	35,500	210,000	90	170M5970	170M5985
		500	49,500	295,000	95	170M5971	170M5986
		550	66,000	390,000	100	170M5972	170M5987
		630	93,500	555,000	110	170M5973	170M5988
		700	130,000	770,000	115	170M5974	170M5989
		800	195,000	1,200,000	125	170M5975	170M5990
3	1000 V a.c. (IEC and UL)	315	9200	54,500	90	170M8614	170M8629
		350	13,000	77,500	95	170M8615	170M8630
		400	19,000	115,000	105	170M8616	170M8631
		450	27,000	160,000	107	170M8617	170M8632
		500	37,500	225,000	110	170M8618	170M8633
		550	52,000	310,000	115	170M8619	170M8634
		630	82,500	490,000	120	170M8620	170M8635
		700	115,000	700,000	125	170M8621	170M8636
		800	170,000	1,050,000	135	170M8622	170M8637
		900	250,000	1,500,000	145	170M8623	170M8638
		1000	340,000	2,050,000	150	170M8624	170M8639
		1100	460,000	2,750,000	155	170M8625	170M8640
		1000 V a.c. (IEC)	1250	575,000	3,400,000	175	170M8626
900 V a.c. (IEC)	1400	795,000	4,200,000	185	170M8627	170M8642	

Data sheets: 170K8564 (Size 1*), 170K8566 (Size 1), 170K8568 (Size 2), 170K8570 (Size 3)

Size 1* to 3, DIN 43653, 170M

1250 V a.c. (IEC), 1300 V a.c. (UL), 50 to 1400 A

Specifications

Description

Square body DIN 43653 bolted tags high speed fuse links, for the protection of DC common bus, DC drives, power converters/rectifiers and reduced rated voltage starters.

Technical data

Rated voltage: see table opposite page

Rated current: 50-1400 A

Breaking capacity: 100 kA RMS Sym.

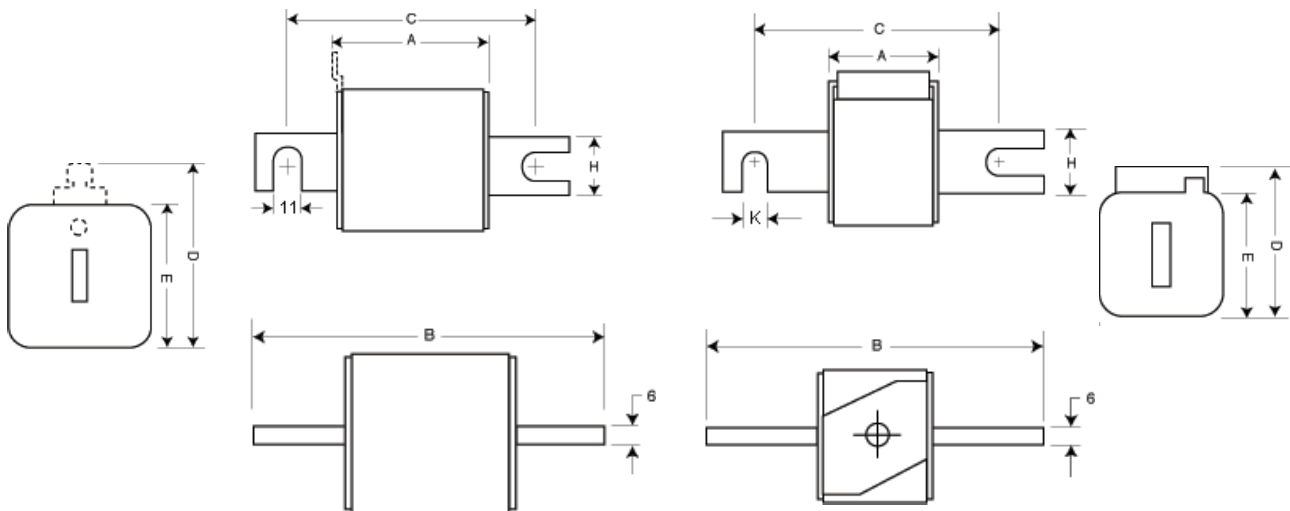
Operating class: aR

Standards / Agency information

CE, Designed and tested to IEC60269 Part 4. Consult Eaton for UL Recognition/CSA Component Acceptance status.



Dimensions - mm



Type -/110-TN/110

Size	A	B	C	D'	E	H	K
1*	80	138	108	58	45	20	11
1	80	138	108	66	53	25	11
2	80	138	108	75	61	25	11
3	81	139	108	90	76	30	11

¹ Clip on Microswitch valid for fuse links -TN/110.
1mm = 0.0394"

Type-KN/110

Size	A	B	C	D	E	H	K
1*	80	138	108	60	45	20	11
1	80	138	108	69	53	25	11
2	80	138	108	77	61	25	11
3	81	139	108	92	76	30	11

1mm = 0.0394"

Data sheets: 170K6630 (Size 1*), 170K6632 (Size 1), 170K6634 (Size 2), 170K6636 (Size 3)

Size 1* to 3, DIN 43653, 170M

1250 V a.c. (IEC), 1300 V a.c. (UL), 50 to 1400 A

Fuse link body size	Rated voltage	Rated current (Amps)	I ² t (A ² Sec)			Watts loss (W)	Catalogue numbers				
			Pre-arcing	Clearing at 1000 V a.c.	Clearing at 1250 V a.c.		-/110 Visual indicator	-TN/110 Type T indicator for micro	-KN/110 Type K indicator for micro		
1*	1250 V a.c. (IEC)	50	135	815	1100	15	170M3138	170M3188	170M3238		
		63	215	1300	1750	20	170M3139	170M3189	170M3239		
		80	420	2500	3350	25	170M3140	170M3190	170M3240		
		100	750	4450	5950	30	170M3141	170M3191	170M3241		
		125	1450	9000	11,500	35	170M3142	170M3192	170M3242		
		160	2600	16,000	21,000	40	170M3143	170M3193	170M3243		
	1300 V a.c. (UL)	200	5150	31,000	41,000	45	170M3144	170M3194	170M3244		
		250	9200	54,500	73,000	55	170M3145	170M3195	170M3245		
		315	18,500	115,000	150,000	60	170M3146	170M3196	170M3246		
		350	27,000	165,000	220,000	65	170M3147	170M3197	170M3247		
		400	53,000	265,000	335,000	70	170M3148	170M3198	170M3248		
		1	1250 V a.c. (IEC)	160	1900	11,500	15,500	45	170M4138	170M4188	170M4238
200	3800			22,500	30,000	50	170M4139	170M4189	170M4239		
250	7750			46,000	61,500	60	170M4140	170M4190	170M4240		
315	15,000			90,000	120,000	65	170M4141	170M4191	170M4241		
350	20,000			125,000	165,000	70	170M4142	170M4192	170M4242		
400	29,500			175,000	235,000	75	170M4143	170M4193	170M4243		
1300 V a.c. (UL)	450		42,000	250,000	335,000	80	170M4144	170M4194	170M4244		
	500		69,500	340,000	435,000	85	170M4145	170M4195	170M4245		
	550		95,000	465,000	590,000	95	170M4146	170M4196	170M4246		
	1100 V a.c. (IEC)		630	130,000	660,000	N/A	100	170M4147 ¹	170M4197 ¹	170M4247 ¹	
	2		1250 V a.c. (IEC)	250	6500	38,500	51,500	65	170M5138	170M5188	170M5238
				280	9350	55,500	74,500	70	170M5139	170M5189	170M5239
315		13,000		77,500	105,000	75	170M5140	170M5190	170M5240		
350		16,500		97,500	135,000	80	170M5141	170M5191	170M5241		
400		23,000		140,000	180,000	85	170M5142	170M5192	170M5242		
450		34,000		205,000	270,000	90	170M5143	170M5193	170M5243		
1300 V a.c. (UL)		500	48,000	285,000	380,000	95	170M5144	170M5194	170M5244		
		550	62,000	370,000	495,000	100	170M5145	170M5195	170M5245		
		630	115,000	575,000	730,000	120	170M5146	170M5196	170M5246		
		700	160,000	795,000	1,050,000	125	170M5147	170M5197	170M5247		
		800	245,000	1,200,000	1,550,000	130	170M5148	170M5198	170M5248		
		900	360,000	1,750,000	N/A	135	170M5149	170M5199	170M5249		
1100 V a.c. (IEC & UL)	1000	480,000	2,350,000	N/A	145	170M5150	170M5200	170M5250			
3	1300 V a.c. (UL)	315	9500	58,000	77,500	85	170M6138	170M6188	170M6238		
		350	13,500	81,500	110,000	90	170M6139	170M6189	170M6239		
		400	19,500	120,000	160,000	95	170M6140	170M6190	170M6240		
		450	31,000	185,000	245,000	100	170M6141	170M6191	170M6241		
		500	39,000	235,000	310,000	105	170M6142	170M6192	170M6242		
		550	55,000	325,000	435,000	110	170M6143	170M6193	170M6243		
		630	83,500	495,000	665,000	115	170M6144	170M6194	170M6244		
		700	115,000	705,000	940,000	120	170M6145	170M6195	170M6245		
		800	205,000	995,000	1,300,000	125	170M6146	170M6196	170M6246 ¹		
		900	305,000	1,500,000	1,900,000	130	170M6147	170M6197	170M6247 ¹		
		1000	450,000	2,150,000	2,750,000	135	170M6148	170M6198	170M6248 ¹		
		1100	575,000	2,800,000	3,600,000	160	170M6149	170M6199	170M6249 ¹		
		1100 V a.c. (IEC)	1250	810,000	3,950,000	N/A	170	170M6150 ¹	170M6200 ¹	170M6250 ¹	
			1400	1,250,000	6,000,000	N/A	175	170M6151 ¹	170M6201 ¹	170M6251 ¹	

¹ These fuse links are not UL recognised.

Data sheets: 170K6630 (Size 1*), 170K6632 (Size 1), 170K6634 (Size 2), 170K6636 (Size 3)

Size 00 to 3, DIN 43620, Full range (gR), 170M

690 V a.c. (IEC), 10 to 800 A

Specifications

Description

Square body DIN 43653 blade high speed fuse links. Full range protection fuse links provide both overload and short-circuit protection.

Technical data

Rated voltage: 690 V a.c. (IEC)

Rated current: 10-800 A

Breaking capacity: 200 kA RMS Sym.

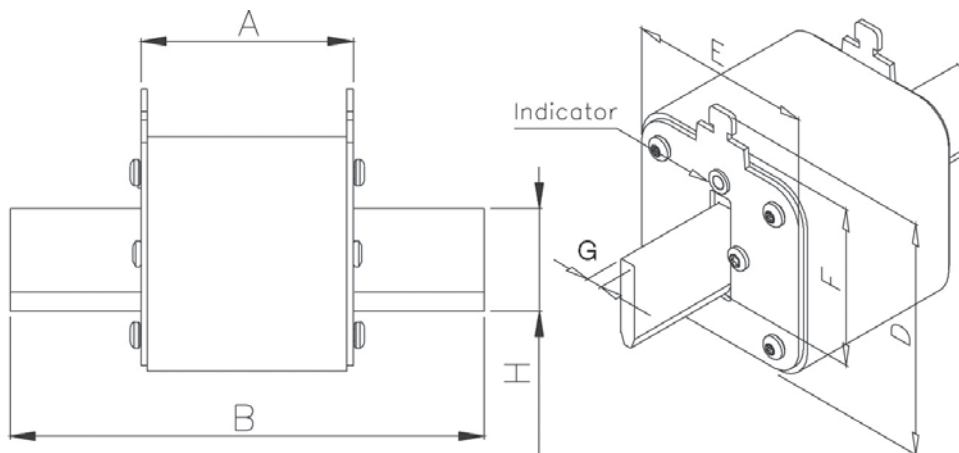
Operating class: gR

Standards / Agency information

CE, Designed and tested to IEC60269 Part 4.



Dimensions - mm



Size	A	B	D (max)	E (max)	F	G	H (min)
00	49	78.5	60	30	35	6	15
1	68	135	66	52	40	6	20
2	68	150	74	60	48	6	25
3	68	150	89	75	60	6	32

Data sheets: 170K6412 (Size 00), 170K6416 (Size 1), 170K6418 (Size 2), 170K6420 (Size 3)

Size 00 to 3, DIN 43620, Full range (gR), 170M

690 V a.c. (IEC), 10 to 800 A

Fuse link body size	Rated voltage	Rated current (Amps) ¹	I ² t (A ² Sec)		Watts loss (W)	Catalogue numbers
			Pre-arcing	Clearing at 690 V a.c.		Type T indicator for micro
00	690 V a.c. (IEC)	10	3.8	20	3.5	170M2691
		16	7.2	38	5.5	170M2692
		20	13	70	6	170M2693
		25	24	125	8	170M2694
		32	53	275	9	170M2695
		40	95	490	10	170M2696
		50	185	1000	11	170M2697
		63	345	1800	14	170M2698
		80	695	3600	16	170M2699
		100	1250	6650	19	170M2700
		125	2300	12,000	23	170M2701
		160	4350	22,500	29	170M2702
		1	690 V a.c. (IEC)	50	135	705
63	245			1300	15	170M4177
80	500			2600	17	170M4178
100	950			4850	20	170M4179
125	1850			9500	23	170M4180
160	3450			18,000	28	170M4181
200	6750			34,500	31	170M4182
250	13,500			70,500	35	170M4183
315	26,000			135,000	41	170M4184
350	34,000			175,000	45	170M4185
2	690 V a.c. (IEC)	400	48,500	250,000	48	170M4186
		200	5650	29,000	33	170M5881
		250	10,000	52,500	40	170M5882
		315	19,500	105,000	46	170M5883
		350	26,000	135,000	50	170M5884
		400	39,500	205,000	53	170M5885
		450	55,500	290,000	59	170M5886
		500	73,000	375,000	66	170M5887
		550	100,000	515,000	70	170M5888
		630	150,000	770,000	79	170M5889
3	690 V a.c. (IEC)	350	23,000	120,000	55	170M6080
		400	34,000	175,000	59	170M6081
		450	48,500	250,000	62	170M6082
		500	64,000	330,000	67	170M6083
		550	84,500	435,000	70	170M6084
		630	125,000	645,000	85	170M6085
		700	160,000	840,000	93	170M6086
800	245,000	1,300,000	99	170M6087		

¹ The RMS Amp rating of this fuse links range is given with open fuse bases connected to copper conductors according to IEC 60269-1, table 17. When used in enclosed fuse bases/disconnects, derating factors have to be observed. Please contact Eaton for application assistance bulehighspeedtechnical@eaton.com.

Size 000 to 3, DIN 43620, Dual indicator fuse links, 170M

690 V a.c. (IEC), 700 V a.c. (UL), 10 to 1600 A

Specifications

Description

Square body DIN 43620 blade high speed fuse links with dual indicator system: one indicator in the fuse body and another one in the metallic end plate. Interchangeable with existing high speed DIN 43620 fuse links for the protection of UPS, soft starters, solid state relays, variable speed drives, rectifiers and inverters.

Technical data

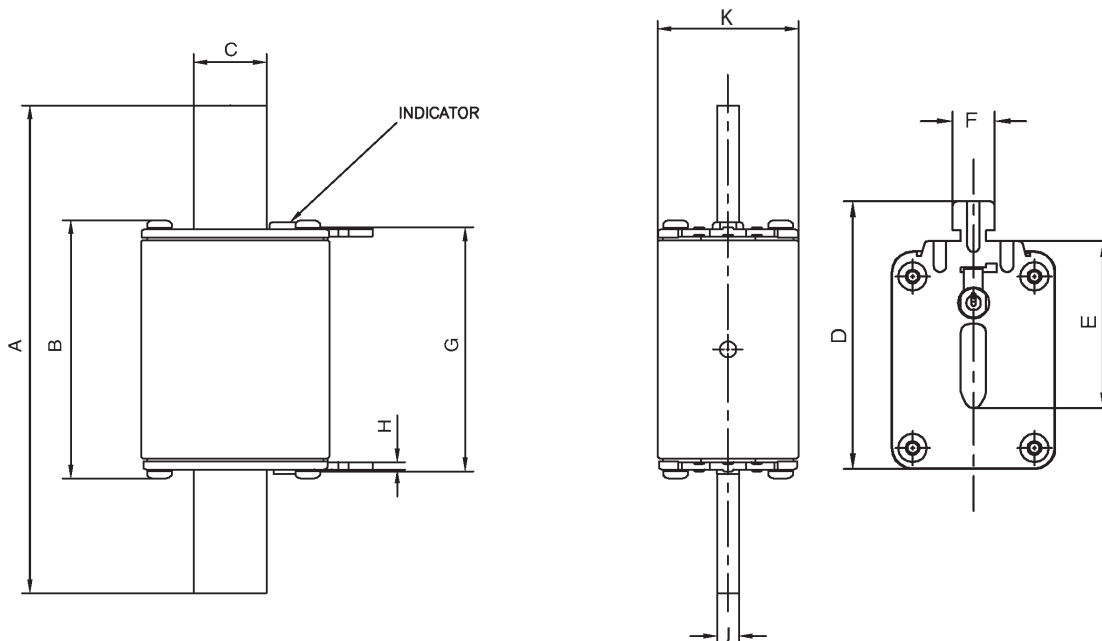
Rated voltage: 690 V a.c. (IEC), 700 V a.c. (UL)
 Rated current: 10-1600 A
 Breaking capacity: 200 kA RMS Sym.
 Operating class: gR (size 000, 10-63A), aR (others)

Standards / Agency information

CE, IEC60269 Part 4, UL and CSA Recognised.



Dimensions - mm



Size	A	B	C	D	E	F	G	H	J	K
000	78.5	53	15	52	35	10	49.7	1.5	6	20.5
00	78.5	53	15	59	35	10	49.7	2	6	30
1	135	71.4	20	64	40	10	67.5	2	6	40
2	150	71.4	25.1	72	48	10	67.5	2	6	54
3	150	72.4	32	87	60	10	68.5	2.5	6	71

Data sheets: 170K6386 (Size 000 and 00), 170K6388 (Size 1), 170K6390 (Size 2), 170K6392 (Size 3)

Size 000 to 3, DIN 43620, Dual indicator fuse links, 170M

690 V a.c. (IEC), 700 V a.c. (UL), 10 to 1600 A

Fuse link body size	Rated voltage	Rated current (Amps)	Max permissible load current	I ^t (A ² Sec)		Watts loss (W) ³	Catalogue numbers
				Pre-arcing	Clearing at 690 V a.c.		Dual indicator
000	690 V a.c. (IEC)	10	10	4	27	2.5	170M1558D
		16	16	7	51	4	170M1559D
		20	20	11.5	82.5	5	170M1560D
		25	25	19	140	6	170M1561D
		32	32	40	285	7	170M1562D
		40	40	65	490	8.5	170M1563D
	700 V a.c. (UL)	50	50	115	815	9.5	170M1564D
		63	63	215	1550	11.5	170M1565D
		80	80	380	2700	15	170M1566D
		100	100	695	4950	16.5	170M1567D
		125	125	1180	8250	21.5	170M1568D
		160	160	2300	16,500	25	170M1569D
		200	200	4350	31,000	29.5	170M1570D
250	250	7900	56,000	35.5	170M1571D		
00	690 V a.c. (IEC) / 700 V a.c. (UL)	315	315	12,000	84,500	45	170M1572D
1	690 V a.c. (IEC)	40	25	40	285	4	170M3808D
		50	30	78	550	4.5	170M3809D
		63	38	120	850	6.5	170M3810D
		80	50	185	1350	8.5	170M3811D
		100	60	360	2600	10	170M3812D
		125	75	550	3900	11	170M3813D
		160	95	1150	8250	12	170M3814D
		200	120	2300	16,500	12.5	170M3815D
	700 V a.c. (UL)	250	150	4350	31,000	16	170M3816D
		315	190	7300	52,000	20	170M3817D
		350	210	10,000	73,000	21.5	170M3818D
		400	240	16,000	115,000	23	170M3819D
		450	270	21,500	155,000	26.5	170M4863D
		500	300	27,000	190,000	28.5	170M4864D
		550	330	33,500	240,000	33	170M4865D
		630	380	48,500	345,000	37.5	170M4866D
700	420	69,500	495,000	39	170M4867D ¹		
2	690 V a.c. (IEC)	400	240	11,000	79,000	29	170M5808D
		450	270	16,000	115,000	32	170M5809D
		500	300	21,500	155,000	34	170M5810D
		550	330	29,000	215,000	36	170M5811D
		630	380	41,000	295,000	42	170M5812D
	700 V a.c. (UL)	700	420	60,500	430,000	43	170M5813D
		800	480	86,000	610,000	48	170M5814D
		900	540	125,000	895,000	52	170M5820D
		1000	600	180,000	1,300,000	53	170M5816D
		1100	660	245,000	1,750,000	56	170M5817D
3	690 V a.c. (IEC)	500	300	14,000	99,500	43	170M6808D
		550	330	19,500	140,000	44	170M6809D
		630	380	31,000	220,000	45	170M6810D
		700	420	45,000	320,000	46	170M6811D
		800	480	69,500	490,000	48	170M6812D
		900	540	100,000	720,000	50	170M6813D
	700 V a.c. (UL)	1000	600	140,000	985,000	56	170M6814D
		1100	660	190,000	1,400,000	57	170M6892D
		1250	750	300,000	2,150,000	61	170M8554D
		1400	840	380,000	2,700,000	70	170M8555D
		1500	900	470,000	3,350,000	72	170M8556D
		1600	960	585,000	4,150,000	74	170M8557D

¹ 170M4867D is not UL recognised.

³ Given at maximum load Rated current, please refer to data sheets for further details.

Data sheets: 170K6386 (Size 000 and 00), 170K6388 (Size 1), 170K6390 (Size 2), 170K6392 (Size 3)

Size 00, DIN 43620, 170M

1000 V a.c. (IEC and UL), 20 to 225 A

Specifications

Description

Square body DIN 43620 blade style high speed fuse links for the protection of DC common bus, DC drives, power converters/rectifiers and reduced rated voltage starters.

Technical data

Rated voltage:

- 1000 V a.c. (IEC and UL)
- 900 V a.c. (200 and 225A)

Rated current: 20-225A

Breaking capacity: 125kA RMS Sym.

Operating class: aR

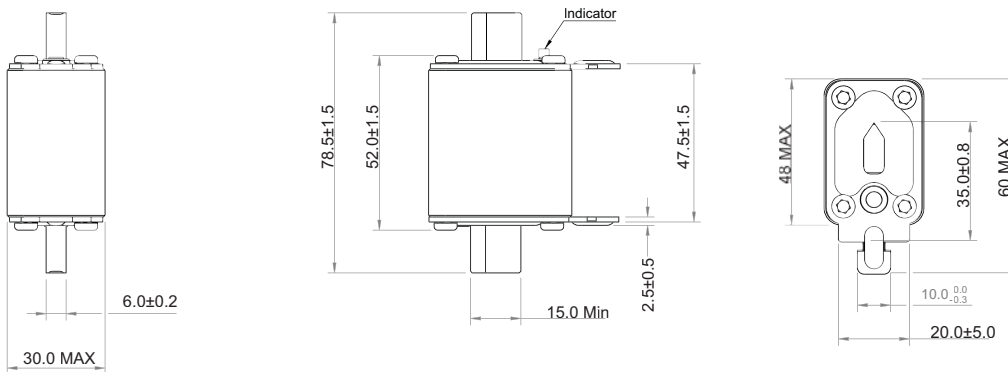
Standards / Agency information

CE, Designed and tested to IEC60269 Part 4, UL Recognised/CSA Component Acceptance status (20-160 A).



Fuse link body size	Rated voltage	Rated current Amps)	I ² t (A ² Sec)		Watts loss (W)	Catalogue numbers
			Pre-arcing	Clearing at 1000 V a.c.		Type T indicator for micro
00	1000 V a.c. (IEC/UL)	20	15	110	8.5	170M2673
		25	28.5	210	9.5	170M2674
		32	53	390	11	170M2675
		35	69	500	12	170M2676
		40	105	760	13	170M2677
		50	215	1550	14	170M2678
		63	380	2750	16	170M2679
		80	815	5900	18	170M2680
		100	1550	11,500	21	170M2681
		125	3000	22,000	23	170M2682
		160	6250	45,000	26	170M2683
		00	900 V a.c. (IEC)	200	12,000	86,500
225	18,000			115,000	33	170M2685

Dimensions - mm



Data sheet: 170K8506

Size 1* to 3, French style, 170M

690 V a.c. (IEC), 700 V a.c. (UL), 40 to 1600 A

Specifications

Description

Square body French style high speed fuse links for the protection of DC common bus, DC drives, power converters/rectifiers and reduced rated voltage starters.

Technical data

Rated voltage: 690 V a.c. (IEC), 700 V a.c. (UL)

Rated current: 40-1600 A

Breaking capacity: 200 kA RMS Sym.

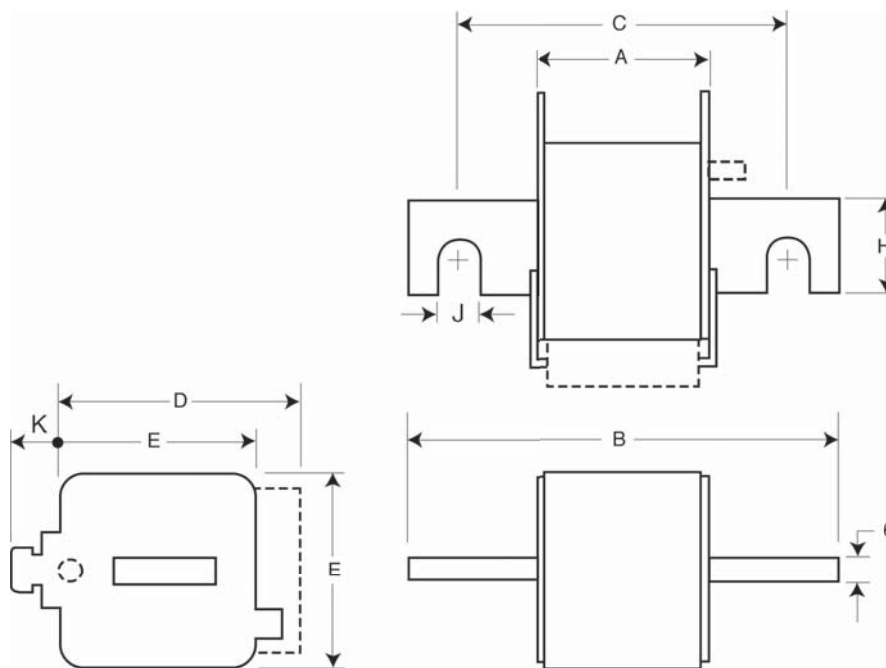
Operating class: aR

Standards / Agency information

CE, Designed and tested to IEC60269 Part 4, UL Recognised.
For CCC approval, please consult Eaton bulehighspeedtechnical@eaton.com.



Dimensions - mm



Type -E/-, -EKN/-

Size	A	B	C	D	E	H	J	K
1*	50	102	76	59	45	18	9	13
1	50	111	86	69	53	25	11	11
2	50	126	91	77	61	30	13	12
3	51	126	91	92	76	36	13	13

Data sheets: 170K6314 (Size 1*), 170K6316 (Size 1), 170K6318 (Size 2), 170K6320 (Size 3)

Size 1* to 3, French style, 170M

690 V a.c. (IEC), 700 V a.c. (UL), 40 to 1600 A

Fuse link body size	Rated voltage	Rated current (Amps)	I ² t (A ² Sec)		Watts loss (W)	Catalogue numbers	
			Pre-arcing	Clearing at 660 V a.c.		-E/- Type T indicator for micro	-EKN/- Type K indicator for micro
1*	690 V a.c. (IEC) 700 V a.c.(UL)	40	40	270	9	170M3308	170M3358
		50	77	515	11	170M3309	170M3359
		63	115	770	14	170M3310	170M3360
		80	185	1250	18	170M3311	170M3361
		100	360	2450	21	170M3312	170M3362
		125	550	3700	26	170M3313	170M3363
		160	1100	7500	30	170M3314	170M3364
		200	2200	15,000	35	170M3315	170M3365
		250	4200	28,500	40	170M3316	170M3366
		315	7000	46,500	50	170M3317	170M3367
		350	10,000	68,500	55	170M3318	170M3368
		400	15,000	105,000	60	170M3319	170M3369
		450	21,000	140,000	65	170M3320	170M3370
		500	27,000	180,000	70	170M3321	170M3371
		1	690 V a.c. (IEC) 700 V a.c.(UL)	200	1650	11,500	45
250	3100			21,000	55	170M4309	170M4359
315	6200			42,000	58	170M4310	170M4360
350	8500			59,000	60	170M4311	170M4361
400	13,500			91,500	65	170M4312	170M4362
450	17,000			120,000	70	170M4313	170M4363
500	25,000			170,000	72	170M4314	170M4364
550	34,000			230,000	75	170M4315	170M4365
630	52,000			350,000	80	170M4316	170M4366
700	69,500			465,000	85	170M4317	170M4367
2	690 V a.c. (IEC) 700 V a.c.(UL)	800	105,000	725,000	95	170M4318	170M4368
		400	11,000	74,000	65	170M5308	170M5358
		450	15,500	105,000	70	170M5309	170M5359
		500	21,500	145,000	75	170M5310	170M5360
		550	28,000	190,000	80	170M5311	170M5361
		630	41,000	275,000	90	170M5312	170M5362
		700	60,500	405,000	95	170M5313	170M5363
		800	86,000	575,000	105	170M5314	170M5364
		900	125,000	840,000	110	170M5315	170M5365
		1000	180,000	1,250,000	115	170M5316	170M5366
3	690 V a.c. (IEC) 700 V a.c.(UL)	500	14,000	95,000	95	170M6308	170M6358
		550	19,500	135,000	100	170M6309	170M6359
		630	31,000	210,000	105	170M6310	170M6360
		700	44,500	300,000	110	170M6311	170M6361
		800	69,500	465,000	115	170M6312	170M6362
		900	100,000	670,000	120	170M6313	170M6363
		1000	140,000	945,000	125	170M6314	170M6364
		1100	190,000	1,300,000	130	170M6315	170M6365
		1250	290,000	1,950,000	140	170M6316	170M6366
		1400	370,000	2,450,000	155	170M6317	170M6367
		1500	460,000	3,100,000	160	170M6318	170M6368
		1600	580,000	3,900,000	160	170M6319	170M6369

Data sheets: 170K6314 (Size 1*), 170K6316 (Size 1), 170K6318 (Size 2), 170K6320 (Size 3)

Size 1* to 3, US style, 170M

690 V a.c. (IEC), 700 V a.c. (UL), 40 to 2000 A

Specifications

Description

Square body US style bolted tags high speed fuse links for the protection of DC common bus, DC drives, power converters/rectifiers and reduced rated voltage starters.

Technical data

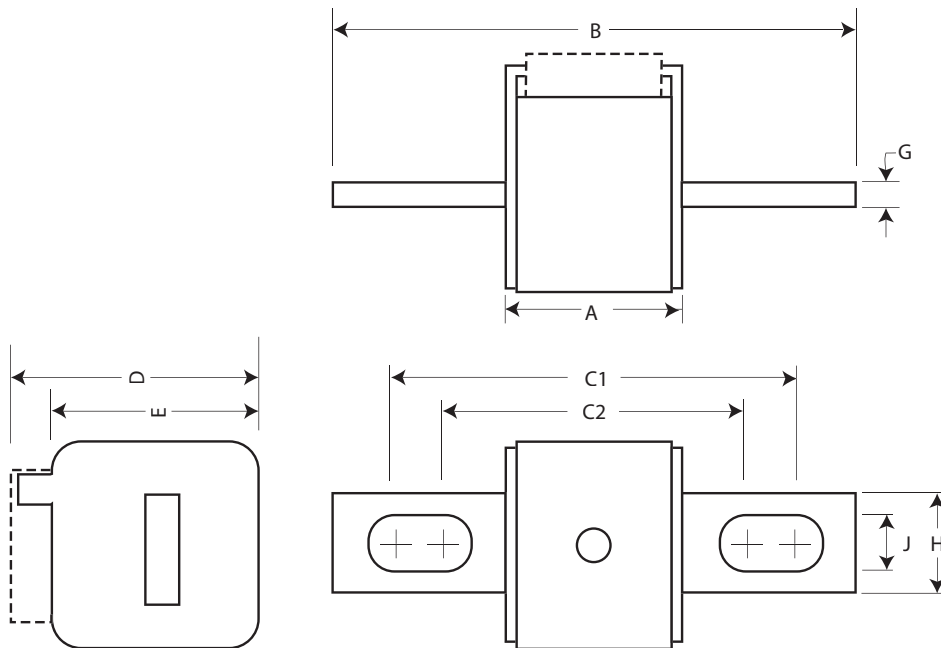
Rated voltage: see table page 54
 Rated current: 40-2000 A
 Breaking capacity: 200 kA RMS Sym.
 Operating class: aR

Standards / Agency information

CE, Designed and tested to IEC60269 Part 4. Consult Eaton for UL Recognition/CSA Component Acceptance status and CCC approvals.



Dimensions - mm



Type -FU/- , -FKE/- , FU/115- , -FKE/115

Size	A	B	B1	C1	C1'	C2	C2'	D	E	G	H	J
1*	50	110	148	85	123	72	110	59	45	6	20	10
1	50	136	157	104	126	78	100	69	53	6	25	14
2	50	135	159	105	125	78	99	77	61	6	25	14
3	51	135	155	106	125	77	97	92	76	6	36	16

¹ Valid for fuse links type -FU/115 & -FKE/115.
 1mm = 0.0394"

Size 1* to 3, US style, 170M

690 V a.c. (IEC), 700 V a.c. (UL), 40 to 2000 A

Fuse link body size	Rated voltage	Rated current (Amps)	I ² t (A ² Sec)		Watts loss (W)	Catalogue numbers				
			Pre-arcing	Clearing at 660 V a.c.		-FU/- without indicator	-FKE/- Type K indicator for micro	-FU/115 without indicator	-FKE/115 Type K indicator for micro	
1*	690 V a.c. (IEC) 700 V a.c. (UL)	40	40	270	9	170M3608	170M3658	170M3708	170M3758	
		50	70	515	11	170M3609	170M3659	170M3709	170M3759	
		63	115	770	14	170M3610	170M3660	170M3710	170M3760	
		80	185	1250	18	170M3611	170M3661	170M3711	170M3761	
		100	360	2450	21	170M3612	170M3662	170M3712	170M3762	
		125	550	3700	26	170M3613	170M3663	170M3713	170M3763	
		160	1100	7500	30	170M3614	170M3664	170M3714	170M3764	
		200	2200	15,000	35	170M3615	170M3665	170M3715	170M3765	
		250	4200	28,500	40	170M3616	170M3666	170M3716	170M3766	
		315	7000	46,500	50	170M3617	170M3667	170M3717	170M3767	
		350	10,000	68,500	55	170M3618	170M3668	170M3718	170M3768	
		400	15,000	105,000	60	170M3619	170M3669	170M3719	170M3769	
		450	21,000	140,000	65	170M3620	170M3670	170M3720	170M3770	
		500	27,000	180,000	70	170M3621	170M3671	170M3721	170M3771	
		550	34,000	230,000	75	170M3622	170M3672	170M3722	170M3772	
		630	48,500	325,000	80	170M3623	170M3673	170M3723	170M3773	
		1	690 V a.c. (IEC) 700 V a.c. (UL)	200	1650	11,500	45	170M4608	170M4658	170M4708
250	3100			21,000	55	170M4609	170M4659	170M4709	170M4759	
315	6200			42,000	58	170M4610	170M4660	170M4710	170M4760	
350	8500			59,000	60	170M4611	170M4661	170M4711	170M4761	
400	13,500			91,500	65	170M4612	170M4662	170M4712	170M4762	
450	17,000			120,000	70	170M4613	170M4663	170M4713	170M4763	
500	25,000			170,000	72	170M4614	170M4664	170M4714	170M4764	
550	34,000			230,000	75	170M4615	170M4665	170M4715	170M4765	
630	52,000			350,000	80	170M4616	170M4666	170M4716	170M4766	
700	69,500			465,000	85	170M4617	170M4667	170M4717	170M4767	
2	690 V a.c. (IEC) 700 V a.c. (UL)	800	105,000	725,000	95	170M4618	170M4668	170M4718	170M4768	
		550 V a.c. (IEC)	900	155,000	850,000	100	170M4619	170M4669	170M4719	170M4769
		400	11,000	74,000	65	170M5608	170M5658	170M5708	170M5758	
		450	15,500	105,000	70	170M5609	170M5659	170M5709	170M5759	
		500	21,500	145,000	75	170M5610	170M5660	170M5710	170M5760	
		550	28,000	190,000	80	170M5611	170M5661	170M5711	170M5761	
		630	41,000	275,000	90	170M5612	170M5662	170M5712	170M5762	
		700	60,500	405,000	95	170M5613	170M5663	170M5713	170M5763	
		800	86,000	575,000	105	170M5614	170M5664	170M5714	170M5764	
		900	125,000	840,000	110	170M5615	170M5665	170M5715	170M5765	
3	690 V a.c. (IEC) 700 V a.c. (UL)	1000	180,000	1,250,000	115	170M5616	170M5666	170M5716	170M5766	
		600 V a.c. (IEC)	1100	245,000	1,600,000	120	170M5617	170M5667	170M5717	170M5767
		700 V a.c. (UL)	1250	365,000	2,400,000	130	170M5618	170M5668	170M5718	170M5768
		500	14,000	95,000	95	170M6608	170M6658	170M6708	170M6758	
		550	19,500	135,000	100	170M6609	170M6659	170M6709	170M6759	
		630	31,000	210,000	105	170M6610	170M6660	170M6710	170M6760	
		700	44,500	300,000	110	170M6611	170M6661	170M6711	170M6761	
		800	69,500	465,000	115	170M6612	170M6662	170M6712	170M6762	
		900	100,000	670,000	120	170M6613	170M6663	170M6713	170M6763	
		1000	140,000	945,000	125	170M6614	170M6664	170M6714	170M6764	
3	690 V a.c. (IEC) 700 V a.c. (UL)	1100	190,000	1,300,000	130	170M6615	170M6665	170M6715	170M6765	
		1250	290,000	1,950,000	140	170M6616	170M6666	170M6716	170M6766	
		1400	370,000	2,450,000	155	170M6617	170M6667	170M6717	170M6767	
		1500	460,000	3,100,000	160	170M6618	170M6668	170M6718	170M6768	
		1600	580,000	3,900,000	160	170M6619	170M6669	170M6719	170M6769	
		600 V a.c. (IEC) 500 V a.c. (UL)	1800	880,000	5,250,000	165	170M6620	170M6670 ¹	170M6720	170M6770
		550 V a.c. (IEC) 500 V a.c. (UL)	2000	1,150,000	6,350,000	175	170M6621	170M6671 ²	170M6721	170M6771

¹ 170M6670 600 V a.c. (IEC)/550 V a.c. ² 170M6671 550 V a.c. (IEC and UL).

Data sheets: 170K6314 (Size 1*), 170K6316 (Size 1), 170K6318 (Size 2), 170K6320 (Size 3)

Size 1* to 3, US style, 170M

1000 V a.c. (IEC), 50 to 1400 A

Specifications

Description

Square body US style bolted tags high speed fuse links for the protection of DC common bus, DC drives, power converters/rectifiers and reduced rated voltage starters.

Technical data

Rated voltage: 1000 V a.c. (IEC), 900 V a.c. (IEC, 1400 A)

Rated current: 50-1400 A

Breaking capacity: 125kA RMS Sym.

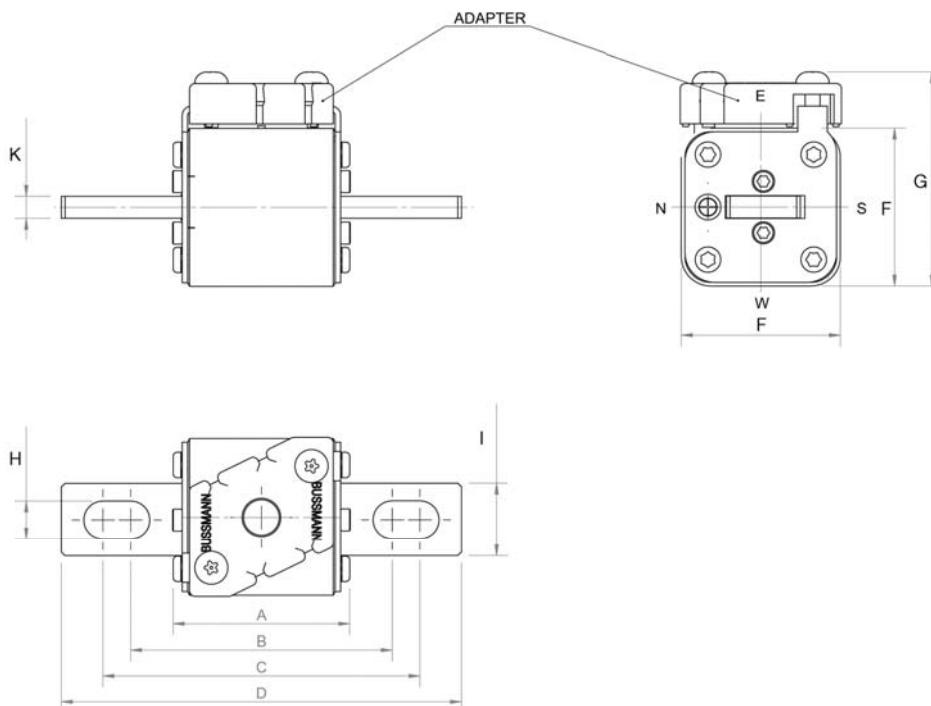
Operating class: aR

Standards / Agency information

CE, Designed and tested to IEC60269 Part 4. UL Recognised/CSA Component Acceptance status for size 2 and 3 (315-1100 A) and CCC approval for size 2 only.



Dimensions - mm



Size	A	B	C	D	F	G	H	I	K
1*FKE/115	74	101	130	156	43	60	10.4	20	6
1FKE/115	76	102	128	160	51	68	14.3	25	6
2FKE/115	76	101.1	127.5	160	59	76	14.4	25	6
3FKE/115	76	101.1	127.5	158	74	91	16	36	6

1mm = 0.0394"

Data sheets: 170K8564 (Size 1*), 170K8566 (Size 1), 170K8568 (Size 2), 170K8570 (Size 3)

Size 1* to 3, US style, 170M

1000 V a.c. (IEC), 50 to 1400 A

Fuse link body size	Rated voltage	Rated current (Amps)	I ² t (A ² Sec)		Watts loss (W)	Catalogue numbers	
			Pre-arcing	Clearing at 1000 V a.c.		-FKE/115 Type K indicator for micro	
1*	1000 V a.c. (IEC)	50	135	815	20	170M3531	
		63	215	1300	25	170M3532	
		80	460	2750	30	170M3533	
		100	860	5100	35	170M3534	
		125	1450	8600	40	170M3535	
		160	2850	17,500	45	170M3536	
		200	4950	29,500	50	170M3537	
		250	9550	57,000	55	170M3538	
		315	21,500	130,000	65	170M3539	
		350	29,000	175,000	70	170M3540	
1	1000 V a.c. (IEC)	400	42,000	250,000	75	170M3541	
		160	2200	13,500	40	170M4531	
		200	4150	24,500	50	170M4532	
		250	7750	46,000	55	170M4533	
	1000 V a.c. / 750 V d.c. (UL)	315	16,500	98,500	65	170M4534	
		350	21,500	130,000	70	170M4535	
		400	31,000	185,000	75	170M4536	
		450	44,500	265,000	80	170M4537	
2	1000 V a.c. (IEC/UL)	500	63,000	375,000	85	170M4538	
		550	84,500	500,000	90	170M4539	
		630	125,000	755,000	98	170M4540	
		250	6750	40,000	65	170M5531	
		315	13,500	81,500	75	170M5532	
		350	16,500	99,000	80	170M5533	
		400	26,000	155,000	85	170M5534	
		450	35,500	210,000	90	170M5535	
		500	49,500	295,000	95	170M5536	
		550	66,000	390,000	100	170M5337	
3	1000 V a.c. (IEC/UL)	630	93,500	555,000	110	170M5538	
		700	130,000	770,000	115	170M5539	
		800	195,000	1,200,000	125	170M5540	
		315	9200	54,500	90	170M8531	
		350	13,000	77,500	95	170M8532	
		400	19,000	115,000	105	170M8533	
		450	27,000	160,000	107	170M8534	
		500	37,500	225,000	110	170M8535	
		550	52,000	310,000	115	170M8536	
		630	82,500	490,000	120	170M8537	
3	1000 V a.c. (IEC)	700	115,000	700,000	125	170M8538	
		800	170,000	1,050,000	135	170M8539	
		900	250,000	1,500,000	145	170M8540	
		1000	340,000	2,050,000	150	170M8541	
		1100	460,000	2,750,000	155	170M8542	
		1250	575,000	3,400,000	175	170M8543	
		900 V a.c. (IEC)	1400	795,000	4,200,000	185	170M8544

Data sheets: 170K8564 (Size 1*), 170K8566 (Size 1), 170K8568 (Size 2), 170K8570 (Size 3)

Size 1* to 3, US style, 170M

1250 V a.c. (IEC), 1300 V a.c. (UL), 50 to 1400 A

Specifications

Description

Square body US style bolted tags high speed fuse links for the protection of DC common bus, DC drives, power converters/rectifiers and reduced rated voltage starters.

Technical data

Rated voltage: 1250 V a.c. (IEC), 1300 V a.c. (UL)

Rated current: 50-1400 A

Breaking capacity: 100 kA RMS Sym.

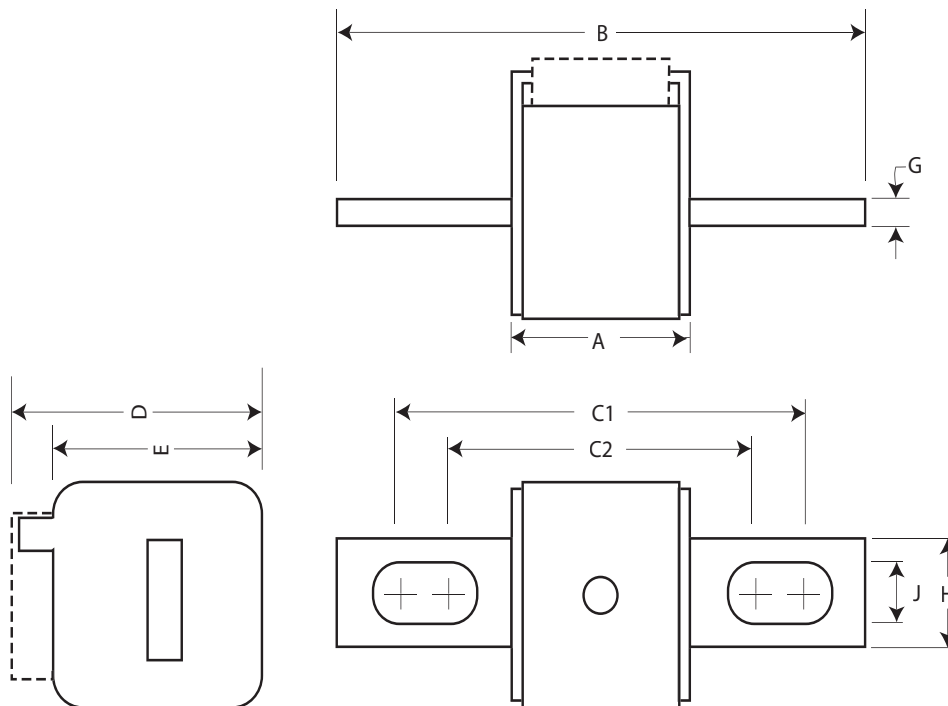
Operating class: aR

Standards / Agency information

CE, Designed and tested to IEC 60269 part 4. Consult Eaton for UL Recognition/CSA Component Acceptance status and CCC approvals.



Dimensions - mm



Type-FU/115,-FKE/115

Size	A	B	C1	C2	D	E	G	H	J
1*	74	156	130	101	59	45	6	20	10
1	76	160	127	102	69	53	6	25	14
2	76	160	127	102	77	61	6	25	14
3	76	159	128	101	92	76	6	36	16

Data sheets: 170K6630 (Size 1*), 170K6632 (Size 1), 170K6634 (Size 2), 170K6636 (Size 3)

Size 1* to 3, US style, 170M

1250 V a.c. (IEC), 1300 V a.c. (UL), 50 to 1400 A

Fuse link body size	Rated voltage	Rated current (Amps)	I ² t (A ² Sec)			Watts loss (W)	Catalogue numbers	
			Pre-arcing	Clearing at 1000 V a.c.	Clearing at 1250 V a.c.		-FU/115 without indicator	-FKE/115 Type K indicator for micro
1*	1250 V a.c. (IEC)	50	135	815	1100	15	170M3688	170M3738
		63	215	1300	1750	20	170M3689	170M3739
		80	420	2500	3350	25	170M3690	170M3740
		100	750	4450	5950	30	170M3691	170M3741
		125	1450	9000	11,500	35	170M3692	170M3742
	1300 V a.c. (UL)	160	2600	16,000	21,000	40	170M3693	170M3743
		200	5150	31,000	41,000	45	170M3694	170M3744
		250	9200	54,500	73,000	55	170M3695	170M3745
		315	18,500	115,000	150,000	60	170M3696	170M3746
		350	27,000	165,000	220,000	65	170M3697	170M3747
1	1250 V a.c. (IEC)	160	1900	11,500	15,500	45	170M4688	170M4738
		200	3800	22,500	30,000	50	170M4689	170M4739
		250	7750	46,000	61,500	60	170M4690	170M4740
		315	15,000	90,000	120,000	65	170M4691	170M4741
		350	20,000	125,000	165,000	70	170M4692	170M4742
	1300 V a.c. (UL)	400	29,500	175,000	235,000	75	170M4693	170M4743
		450	42,000	250,000	335,000	80	170M4694	170M4744
		500	69,500	340,000	N/A	85	170M4695	170M4745
		550	95,000	465,000	N/A	95	170M4696	170M4746
		630	130,000	660,000	N/A	100	170M4697	170M4747
2	1250 V a.c. (IEC)	250	6500	38,500	51,500	65	170M5688	170M5738
		280	9350	55,500	74,500	70	170M5689	170M5739
		315	13,000	77,500	105,000	75	170M5690	170M5740
		350	16,500	97,500	135,000	80	170M5691	170M5741
		400	23,000	140,000	180,000	85	170M5692	170M5742
	1300 V a.c. (UL)	450	34,000	205,000	270,000	90	170M5693	170M5743
		500	48,000	285,000	380,000	95	170M5694	170M5744
		550	62,000	370,000	495,000	100	170M5695	170M5745
		630	115,000	575,000	730,000	120	170M5696	170M5746
		700	160,000	795,000	N/A	125	170M5697	170M5747
1100 V a.c. IEC	800	245,000	1,200,000	N/A	130	170M5698	170M5748	
	900	360,000	1,750,000	N/A	135	170M5699	170M5749	
	1000	480,000	2,350,000	N/A	145	170M5700	170M5750	
	1000 V a.c. IEC	1000	480,000	2,350,000	N/A	145	170M5700	170M5750
3	1250 V a.c. (IEC)	315	9500	58,000	77,500	85	170M6688	170M6738
		350	13,500	81,500	110,000	90	170M6689	170M6739
		400	19,000	120,000	160,000	95	170M6690	170M6740
		450	31,000	185,000	245,000	100	170M6691	170M6741
		500	39,000	235,000	310,000	105	170M6692	170M6742
	1300 V a.c. (UL)	550	55,000	325,000	435,000	110	170M6693	170M6743
		630	83,500	495,000	665,000	115	170M6694	170M6744
		700	115,000	705,000	940,000	120	170M6695	170M6745
		800	205,000	995,000	1,300,000	125	170M6696	170M6746
		900	305,000	1,500,000	1,900,000	130	170M6697	170M6747
1100 V a.c. (IEC)	1000	450,000	2,150,000	N/A	135	170M6698	170M6748	
	1000 V a.c. (UL)	1100	575,000	2,800,000	N/A	160	170M6699	170M6749
	1000 V a.c. IEC & UL	1250	810,000	3,950,000	N/A	170	170M6700	170M6750
		1400	1,250,000	6,000,000	N/A	175	170M6701	170M6751

Data sheets: 170K6630 (Size 1*), 170K6632 (Size 1), 170K6634 (Size 2), 170K6636 (Size 3)

Size 00, Flush end contact, 170M

690 V a.c., 25 to 400 A

Specifications

Description

Square body flush end contact high speed fuse links, for the protection of DC common bus, DC drives, power converters/rectifiers and reduced rated voltage starters.

Technical data

Rated voltage:	690 V a.c. (IEC)
Rated current:	25-400 A
Breaking capacity:	200 kA RMS Sym.
Operating class:	gR (25-80 A), aR (100-400 A)

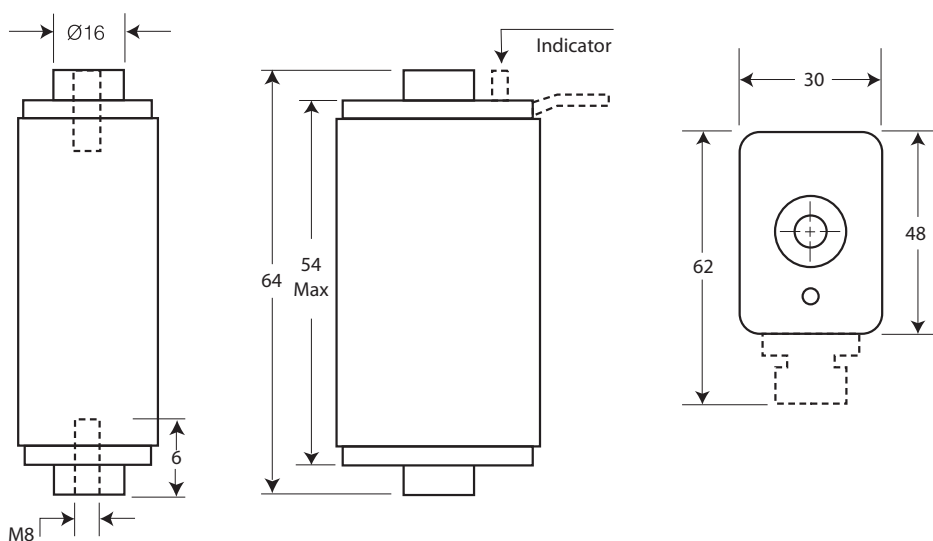
Standards / Agency information

CE, Designed and tested to IEC 60269 Part 4.



Fuse link body size	Rated voltage	Rated current (Amps)	I ^t (A ² Sec)		Watts loss (W)	Catalogue numbers	
			Pre-arcing	Clearing at 660 V a.c.		00B/60 visual indicator	00BTN/60 Type T indicator for micro
00	690 V a.c. (IEC)	25	19	130	6	170M2708	170M2758
		32	28.5	195	7	170M2709	170M2759
		40	50	360	9	170M2710	170M2760
		50	95	640	10	170M2711	170M2761
		63	170	1200	12	170M2712	170M2762
		80	310	2100	15	170M2713	170M2763
		100	620	4150	20	170M2714	170M2764
		125	1000	6950	25	170M2715	170M2765
		160	1900	13,000	30	170M2716	170M2766
		200	3400	23,000	35	170M2717	170M2767
		250	6250	42,000	45	170M2718	170M2768
		315	10,000	68,500	55	170M2719	170M2769
		350	13,500	91,500	60	170M2720	170M2770
		400	18,000	125,000	70	170M2721	170M2771

Dimensions - mm



Data sheet: 170K6312

Size 1* to 3, Flush end contact, 170M

690 V a.c. (IEC), 700 V a.c. (UL), 40 to 2000 A

Specifications

Description

Square body flush end contact high speed fuse links, for the protection of DC common bus, DC drives, power converters/rectifiers and reduced rated voltage starters.

Technical data

Rated voltage: see table page 61

Rated current: 40-2000 A

Breaking capacity: 200 kA RMS Sym.

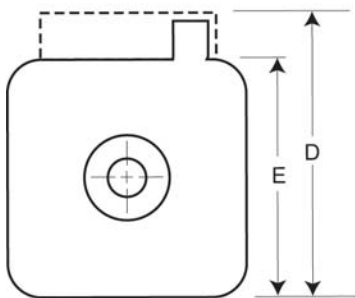
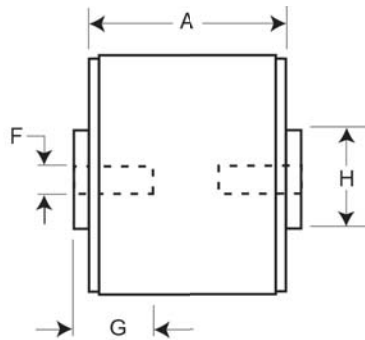
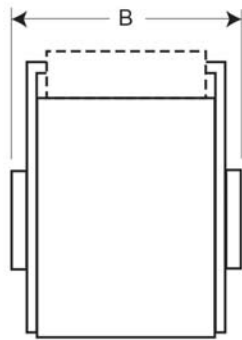
Operating class: aR

Standards / Agency information

CE, Designed and tested to IEC 60269 Part 4. Consult Eaton for UL Recognition, CSA Component Acceptance Status and CCC approvals.



Dimensions - mm



Type -B/- , -BKN/- , -G/- , -GKN/-

Size	A	B	D ¹	E	F	F' (in)	G min	H
1*	50	51	59	45	M8	5/16" -18 UNC-2B	5	N17
1	50	51	69	53	M8	5/16" -18 UNC-2B	8	N20
2	50	51 (400 - 1000 A) 65 (1100 and 1250 A)	77	61	M10	3/8" -16 UNC-2B	10	N24
3	51	53 (500 - 1500 A) 65 (1600 - 2000 A)	92	76	M12	1/2" -13 UNC-2B	10	N30

¹ Valid for fuse links type -G- & -GKN/.

³ Valid for fuse links type -BKN/ and -GKN/.

Data sheets: 170K6314 (Size 1*), 170K6316 (Size 1), 170K6318 (Size 2), 170K6320 (Size 3)

Fuse link body size	Rated voltage	Rated current (Amps)	I ² t (A ² Sec)		Watts loss (W)	Catalogue numbers					
			Pre-arcing	Clearing at 660 V a.c.		-B/- visual indicator	-BKN/- Type K indicator for micro	-G/- visual indicator	-GKN/- Type K indicator for micro		
1*	690 V a.c. (IEC) 700 V a.c. (UL)	40	40	270	9	170M3408	170M3458	170M3508	170M3558		
		50	77	515	11	170M3409	170M3459	170M3509	170M3559		
		63	115	770	14	170M3410	170M3460	170M3510	170M3560		
		80	185	1250	18	170M3411	170M3461	170M3511	170M3561		
		100	360	2450	21	170M3412	170M3462	170M3512	170M3562		
		125	550	3700	26	170M3413	170M3463	170M3513	170M3563		
		160	1100	7500	30	170M3414	170M3464	170M3514	170M3564		
		200	2200	15,000	35	170M3415	170M3465	170M3515	170M3565		
		250	4200	28,500	40	170M3416	170M3466	170M3516	170M3566		
		315	7000	46,500	50	170M3417	170M3467	170M3517	170M3567		
		350	10,000	68,500	55	170M3418	170M3468	170M3518	170M3568		
		400	15,000	105,000	60	170M3419	170M3469	170M3519	170M3569		
		450	21,000	140,000	65	170M3420	170M3470	170M3520	170M3570		
		500	27,000	180,000	70	170M3421	170M3471	170M3521	170M3571		
		550	34,000	230,000	75	170M3422	170M3472	170M3522	170M3572		
		630	48,500	325,000	80	170M3423	170M3473	170M3523	170M3573		
		1	690 V a.c. (IEC) 700 V a.c. (UL)	200	1650	11,500	45	170M4408	170M4458	170M4508	170M4558
				250	3100	21,000	55	170M4409	170M4459	170M4509	170M4559
315	6200			42,000	58	170M4410	170M4460	170M4510	170M4560		
350	8500			59,000	60	170M4411	170M4461	170M4511	170M4561		
400	13,500			91,500	65	170M4412	170M4462	170M4512	170M4562		
450	17,000			120,000	70	170M4413	170M4463	170M4513	170M4563		
500	25,000			170,000	72	170M4414	170M4464	170M4514	170M4564		
550	34,000			230,000	75	170M4415	170M4465	170M4515	170M4565		
630	52,000			350,000	80	170M4416	170M4466	170M4516	170M4566		
700	69,500			465,000	85	170M4417	170M4467	170M4517	170M4567		
800	105,000			725,000	95	170M4418	170M4468	170M4518	170M4568		
550 V a.c. (IEC)	900			155,000	850,000	100	170M4419	170M4469	170M4519	170M4569	
2	690 V a.c. (IEC) 700 V a.c. (UL)	400	11,000	74,000	65	170M5408	170M5458	170M5508	170M5558		
		450	15,500	105,000	70	170M5409	170M5459	170M5509	170M5559		
		500	21,500	145,000	75	170M5410	170M5460	170M5510	170M5560		
		550	28,000	190,000	80	170M5411	170M5461	170M5511	170M5561		
		630	41,000	275,000	90	170M5412	170M5462	170M5512	170M5562		
		700	60,500	405,000	95	170M5413	170M5463	170M5513	170M5563		
		800	86,000	575,000	105	170M5414	170M5464	170M5514	170M5564		
		900	125,000	840,000	110	170M5415	170M5465	170M5515	170M5565		
		1000	180,000	1,250,000	115	170M5416	170M5466	170M5516	170M5566		
		600 V a.c. (IEC) 700 V a.c. (UL)	1100	245,000	1,600,000	120	170M5417	170M5467	170M5517	170M5567	
		1250	365,000	2,400,000	130	170M5418	170M5468	170M5518	170M5568		
		3	690 V a.c. (IEC) 700 V a.c. (UL)	500	14,000	95,000	95	170M6408	170M6458	170M6508	170M6558
550	19,500			135,000	100	170M6409	170M6459	170M6509	170M6559		
630	31,000			210,000	105	170M6410	170M6460	170M6510	170M6560		
700	44,500			300,000	110	170M6411	170M6461	170M6511	170M6561		
800	69,500			465,000	115	170M6412	170M6462	170M6512	170M6562		
900	100,000			670,000	120	170M6413	170M6463	170M6513	170M6563		
1000	140,000			945,000	125	170M6414	170M6464	170M6514	170M6564		
1100	190,000			1,300,000	130	170M6415	170M6465	170M6515	170M6565		
1250	290,000			1,950,000	140	170M6416	170M6466	170M6516	170M6566		
1400	370,000			2,450,000	155	170M6417	170M6467	170M6517	170M6567		
1500	460,000			3,100,000	160	170M6418	170M6468	170M6518	170M6568		
1600	580,000			3,900,000	160	170M6419	170M6469	170M6519	170M6569		
600 V a.c. (IEC) / 500 V a.c. (UL)	1800	880,000	5,250,000	165	170M6420	170M6470	170M6520	170M6570			
550 V a.c. (IEC) / 500 V a.c. (UL)	2000	1,150,000	6,350,000	175	170M6421	170M6471	170M6521	170M6571			

Data sheets: 170K6314 (Size 1*), 170K6316 (Size 1), 170K6318 (Size 2), 170K6320 (Size 3)

Size 1* to 3, Flush end contact, 170M

1000 V a.c. (IEC and UL), 50 to 1400 A

Specifications

Description

Square body flush end contact high speed fuse links, for the protection of DC common bus, DC drives, power converters/rectifiers and reduced rated voltage starters.

Technical data

Rated voltage:

- 1000 V a.c. (IEC, 50-1250 A),
- 1000 V a.c. (UL, 250-1100 A)
- 900 V a.c. (IEC, 1400 A)

Rated current: 50-1400 A

Breaking capacity: 125kA RMS Sym.

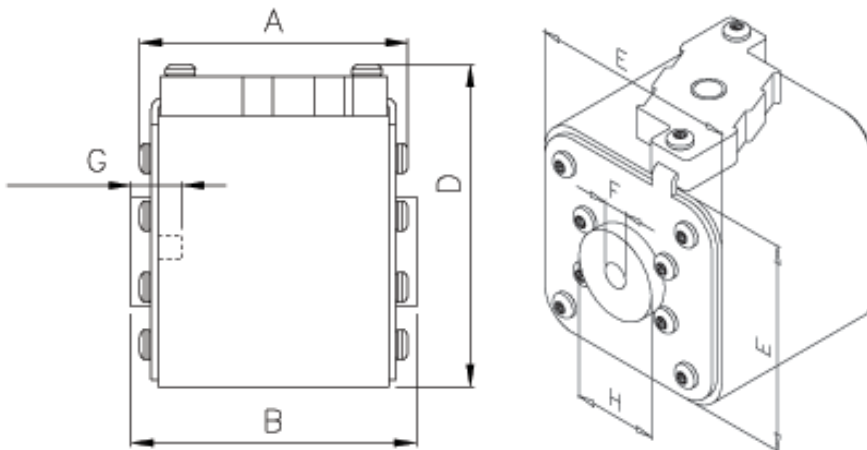
Operating class: aR

Standards / Agency information

CE, Designed and tested to IEC 60269 Part 4, UL Recognised for size 2 and 3 (only up to 1100 A).



Dimensions - mm



Type -BKN/- and -GKN/-

Size	Type	A	B	D (max)	E	F	F ¹ (in)	G (min)	H
1*	BKN/75 + GKN/75	72.5	74	61	43	M8	5/16" 18 UNC-2B	5	17.5
1	BKN/75 + GKN/75	73.2	74	69	52	M8	5/16" 18 UNC-2B	8	20
2	BKN/75 + GKN/75	73.2	74.4	77	59	M10	3/8" 16 UNC-2B	10	24.5
3	BKN/75 + GKN/75	73.3	75.4	92	74	M12	1/2" 13 UNC-2B	10	30
3	BKN/90 + GKN/90	80.3	91.4	92	74	M12	1/2" 13 UNC-2B	10	30

¹ Valid for fuses type -GKN/-.

Size 1* to 3, Flush end contact, 170M

1000 V a.c. (IEC and UL), 50 to 1400 A

Fuse link body size	Rated voltage	Rated current (Amps)	I ² t (A ² Sec)		Watts loss (W)	Catalogue numbers	
			Pre-arcing	Clearing at rated voltage		-BKN/- Type K indicator for micro	-GKN/- Type K indicator for micro
1*	1000 V a.c. (IEC)	50	135	815	20	170M3951	170M3921
		63	215	1300	25	170M3952	170M3922
		80	460	2750	30	170M3953	170M3923
		100	860	5100	35	170M3954	170M3924
		125	1450	8600	40	170M3955	170M3925
		160	2850	17,500	45	170M3956	170M3926
		200	4950	29,500	50	170M3957	170M3927
		250	9550	57,000	55	170M3958	170M3928
		315	21,500	130,000	65	170M3959	170M3929
		350	29,000	175,000	70	170M3960	170M3930
		400	42,000	250,000	75	170M3961	170M3931
		1	1000 V a.c. (IEC)	160	2200	13,500	40
200	4150			24,500	45	170M4952	170M4922
250	7750			46,000	52	170M4953	170M4923
315	16,500			98,500	60	170M4954	170M4924
350	21,500			130,000	65	170M4955	170M4925
1000 V a.c. / 750 V d.c. (UL)	400		31,000	185,000	70	170M4956	170M4926
	450		44,500	265,000	80	170M4957	170M4927
	500		63,000	375,000	85	170M4958	170M4928
	550		84,500	500,000	90	170M4959	170M4929
	630		125,000	755,000	98	170M4960	170M4930
2	1000 V a.c. (IEC/UL)	250	6750	40,000	65	170M5952	170M5922
		315	13,500	81,500	75	170M5953	170M5923
		350	16,500	99,000	80	170M5954	170M5924
		400	26,000	155,000	85	170M5955	170M5925
		450	35,500	210,000	90	170M5956	170M5926
		500	49,500	295,000	95	170M5957	170M5927
		550	66,000	390,000	100	170M5958	170M5928
		630	93,500	555,000	110	170M5959	170M5929
		700	130,000	770,000	115	170M5960	170M5930
		800	195,000	1,200,000	125	170M5961	170M5931
3	1000 V a.c. (IEC/UL)	315	9200	54,500	90	170M8600	170M8500
		350	13,000	77,500	95	170M8601	170M8501
		400	19,000	115,000	105	170M8602	170M8502
		450	27,000	160,000	107	170M8603	170M8503
		500	37,500	225,000	110	170M8604	170M8504
		550	52,000	310,000	115	170M8605	170M8505
		630	82,500	490,000	120	170M8606	170M8506
		700	115,000	700,000	125	170M8607	170M8507
		800	170,000	1,050,000	135	170M8608	170M8508
		900	250,000	1,500,000	145	170M8609	170M8509
	1000	340,000	2,050,000	150	170M8610	170M8510	
	1100	460,000	2,750,000	155	170M8611	170M8511	
	1000 V a.c. (IEC)	1250	575,000	3,400,000	175	170M8612 ¹	170M8512 ¹
900 V a.c. (IEC)	1400	795,000	4,200,000	185	170M8613 ¹	170M8513 ¹	

¹ Overall length is 90 mm, for all other fuse links the overall length is 75 mm.

Size 1* to 3, Flush end contact, 170M

1250 V a.c. (IEC), 1300 V a.c. (UL), 50 to 1400 A

Specifications

Description

Square body flush end contact high speed fuse links, for the protection of DC common bus, DC drives, power converters/rectifiers and reduced rated voltage starters.

Technical data

Rated voltage:

- 1250 V a.c. (IEC)
- 1300 V a.c. (UL)

Rated current: 50-1400 A

Breaking capacity: 100 kA RMS Sym.

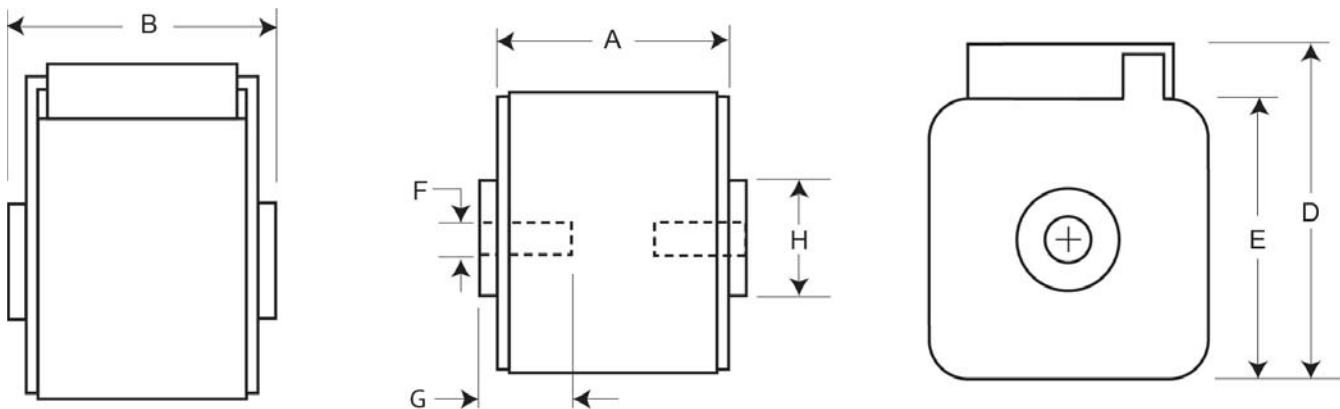
Operating class: aR

Standards / Agency information

CE, Designed and tested to IEC 60269 Part 4. Consult Eaton for UL Recognition/CSA Component Acceptance Status.



Dimensions - mm



Type -BKN/- and -GKN/-

Size	Type	A	B	D	E	F	F ¹ (in)	Min G	H
1*	BKN + GKN/75	74	75	59	45	M8	5/16" -18 UNC-2B	5	Ø17
1*	BKN/80	80	81	59	45	M8		5	Ø17
1	BKN + GKN/75	74	75	69	53	M8	5/16" -18 UNC-2B	8	Ø20
1	BKN/80	80	81	69	53	M8		8	Ø20
2	BKN + GKN/75	74	75	77	61	M10	3/8" -16 UNC-2B	10	Ø24
2	BKN/80	80	81	77	61	M10		10	Ø24
2	BKN + GKN/90	80	91	77	61	M10	3/8" -16 UNC-2B	10	Ø24
3	BKN + GKN/75	74	76	92	76	M12	1/2" -13 UNC-2B	10	Ø30
3	BKN/80	81	83	92	76	M12		10	Ø30
3	BKN + GKN/90	81	91	92	76	M12	1/2" -13 UNC-2B	10	Ø30

¹ Valid for fuses type -GKN/-.

Size 4, Flush end contact, 170M

690 V a.c. (IEC), 700 V a.c. (UL), 1000 to 4000 A

Specifications

Description

Square body, flush end contact, high speed fuse links, for the protection of power rectifiers.

Technical data

Rated voltage:

- 690 V a.c. (IEC) / 700 V a.c. (UL) 1000-3500 A
- 600 V a.c. (IEC and UL, 4000 A)

Rated current: 1000-4000 A

Breaking capacity: 200 kA RMS Sym.

Operating class: aR

Standards / Agency information

CE, Designed and tested to IEC 60269 Part 4, UL Recognised.



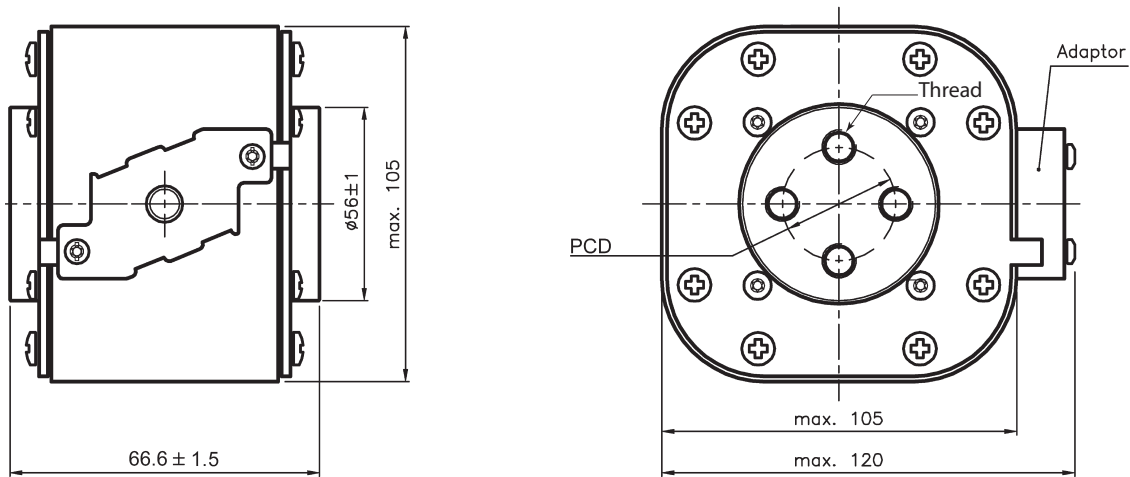
Fuse link body size	Rated voltage	Rated current (Amps)	I ² t (A ² Sec)		Watts loss (W)	Catalogue numbers			
			Pre-arcing	Clearing at 660 V a.c.		-B/65 visual indicator	-BKN/65 Type K indicator	-G/65 visual indicator	-GKN/65 Type K indicator
4	690 V a.c. (IEC) 700 V a.c. (UL)	1000	76,000	505,000	175	170M7058	170M7078	170M7098	170M7118
		1250	145,000	965,000	195	170M7059	170M7079	170M7099	170M7119
		1400	205,000	1,400,000	205	170M7060	170M7080	170M7100	170M7120
		1600	305,000	2,050,000	220	170M7061	170M7081	170M7101	170M7121
		2000	600,000	3,950,000	245	170M7062	170M7082	170M7102	170M7122
		2500	1,200,000	7,800,000	275	170M7063	170M7083	170M7103	170M7123
		3000	2,000,000	13,500,000	305	170M7064	170M7084	170M7104	170M7124
		3500	3,250,000	22,000,000	325	170M7065	170M7085	170M7105	170M7125
	600 V a.c. (IEC & UL)	4000	4,700,000	28,000,000 ¹	355	170M7066	170M7086	170M7106	170M7126

¹ Clearing at 600 V a.c.

Size 4, Flush end contact, 170M

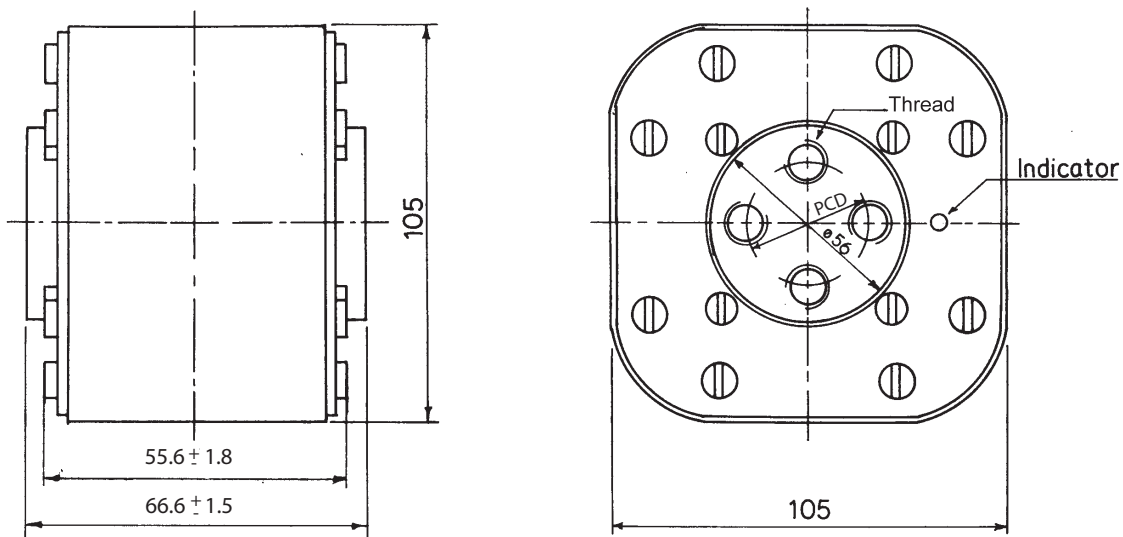
690 V a.c. (IEC), 700 V a.c. (UL), 1000 to 4000 A

Dimensions - mm



Type -BKN/65, -GKN/65

Type	PCD	Thread
-GKN/65	Ø 38.1	UNC ½" - 13
-BKN/65	Ø 33	M-10



Type -B/65, -G/65

Type	PCD	Thread
-G/65	Ø 38.1	UNC ½" - 13
-B/65	Ø 33	M-10

Size 4, Flush end contact, 170M

1000 V a.c. (IEC), 1000 to 3000 A

Specifications

Description

Square body, flush end contact, high speed fuse links, for the protection of power rectifiers.

Technical data

Rated voltage:	1000 V a.c. (IEC)
Rated current:	1000-3000 A
Breaking capacity:	200 kA RMS Sym.
Operating class:	aR



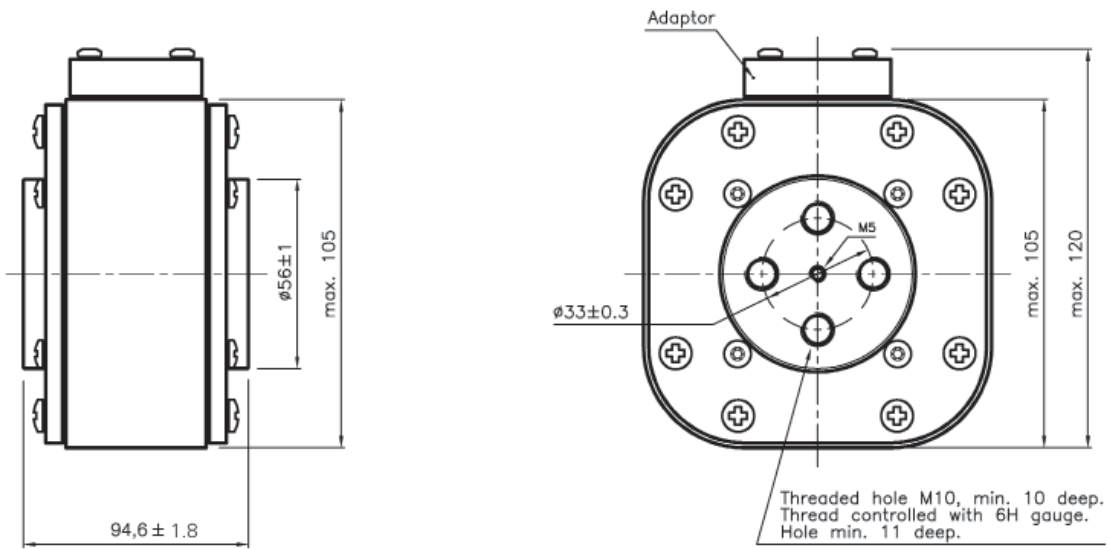
Standards / Agency information

CE, Designed and tested to IEC 60269 Part 4.

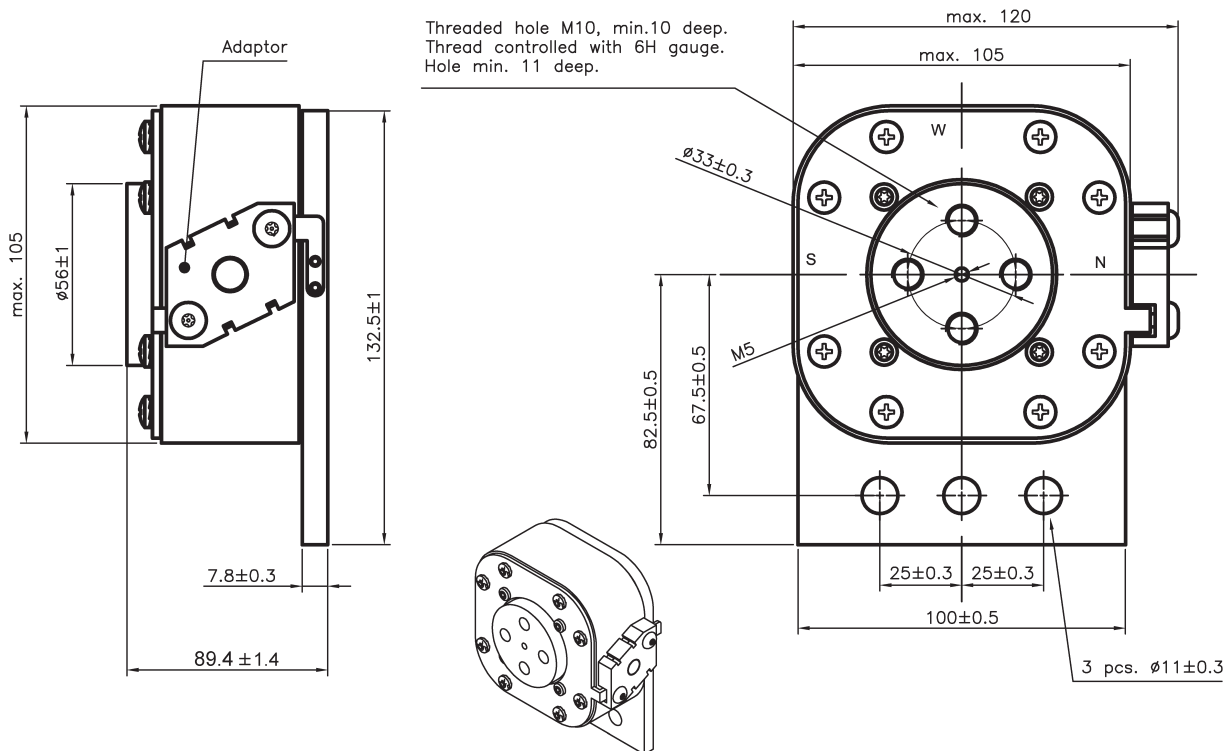
Fuse link body size	Rated voltage	Rated current (Amps)	I ² t (A ² Sec)		Watts loss (W)	Catalogue numbers	
			Pre-arcing	Clearing at 1000 V a.c.		-BKN/95 Type K indicator	-SBKN/90 Type K indicator
4	1000 V a.c.	1000	180,000	1,100,000	195		170M7542
		1100	250,000	1,500,000	200		170M7031
		1500	600,000	3,600,000	250	170M7636	170M7548
		1700	850,000	5,000,000	260	170M7639	170M7034
		1800	1,000,000	5,950,000	265	170M7661	170M7053
		2000	1,450,000	8,600,000	270	170M7963	170M7544
		2200	2,000,000	12,000,000	280	170M7090	170M7035
		2500	3,000,000	18,000,000	295	170M7640	170M7036
		2700	3,700,000	22,000,000	310	170M7658	170M7037
		3000	4,700,000	28,000,000	380	170M7962	170M7156

Size 4, Flush end contact, 170M
 1000 V a.c. (IEC), 1000 to 3000 A

Dimensions - mm



Type 4BKN/95



Type 4SBKN/90

Data sheets: 170K8520, 170K8520-R

Size 4, Flush end contact, 170M 1250 V a.c. (IEC), 800 to 2500 A

Specifications

Description

Square body, flush end contact, high speed fuse links, for the protection of power rectifiers.

Technical data

Rated voltage:

- 1250 V a.c. (IEC)
- 1200 V d.c. (UL)

Rated current: 800-2500 A

Breaking capacity:

- 200 kA RMS Sym.
- 85 kA d.c. (2ms TC)

Operating class: aR

Standards / Agency information

CE, Designed and tested to IEC 60269 Part 4, UL



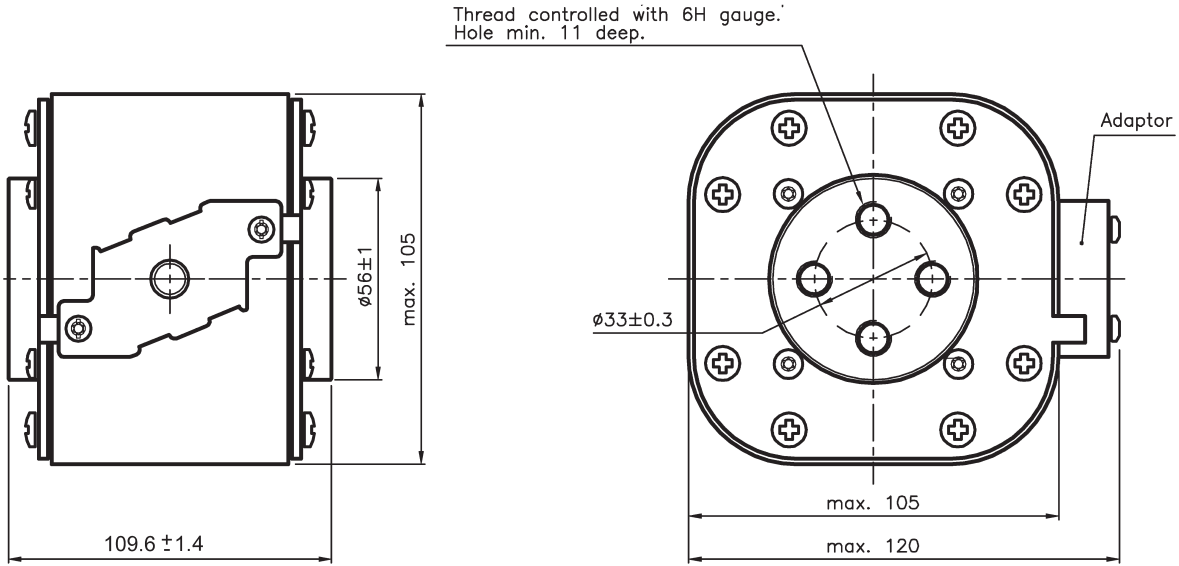
Fuse link body size	Rated voltage	Rated current (Amps)	I ² t (A ² Sec)		Watts loss (W)	Catalogue numbers	
			Pre-arcing	Clearing at 1250 V a.c.		-BKN/105 Type K indicator	-SBKN/105 Type K indicator
4	1250 V a.c. (IEC)	800	145,000	905,000	195	170M7802	-
		1000	275,000	1,750,000	220	170M7803	-
		1200	495,000	3,100,000	240	170M7804	-
		1400	800,000	5,000,000	250	170M7217	170M7512
		1500	1,000,000	6,200,000	260	170M7597	170M7510
		1700	1,400,000	8,700,000	275	170M7676	170M7511
	1200 V d.c. (UL)	1800	1,700,000	11,000,000	280	170M7532	170M7976
		2000	2,300,000	14,500,000	305	170M7633	170M7513
		2200	3,100,000	19,500,000	315	170M7592	170M7546
		2400	4,000,000	25,000,000	330	170M7107	170M7516
		2500	4,500,000	28,000,000	340	170M7595	170M7978

Data sheets: 170K6640 (1400-2400 A), 170K6642 (800-1200, 2500 A)

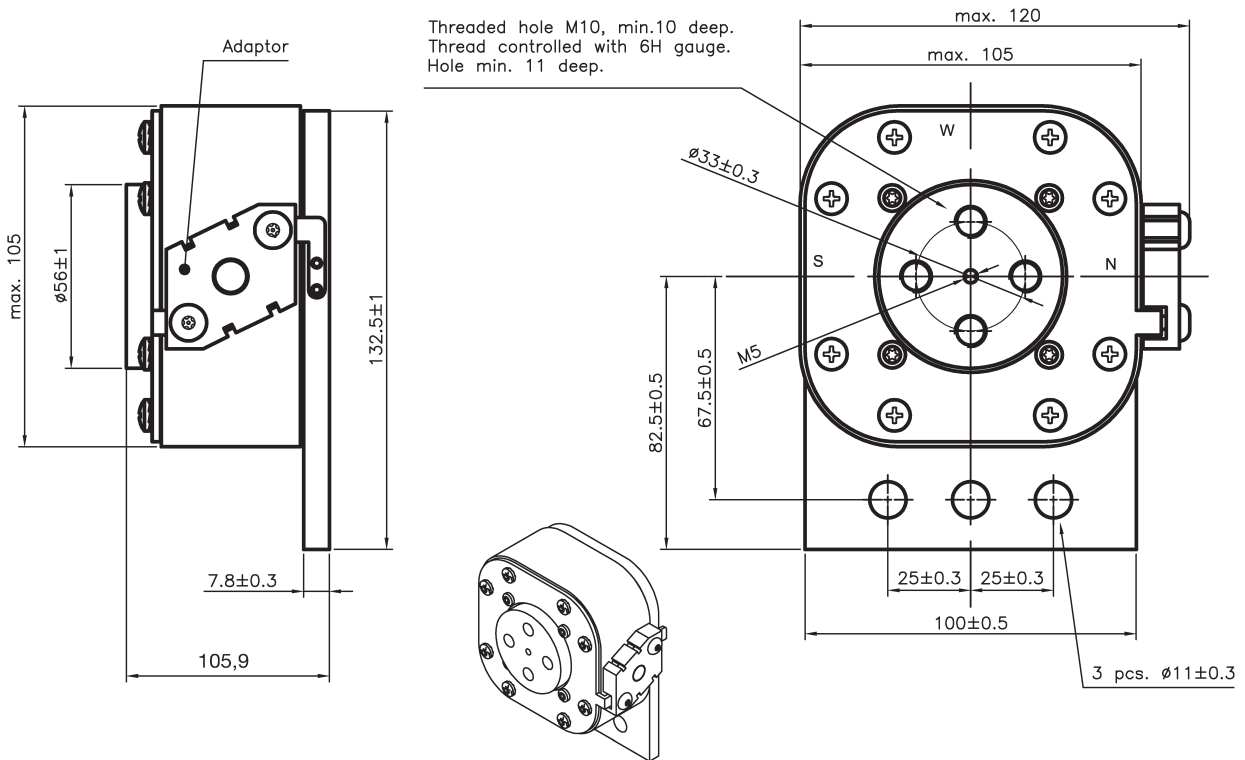
Size 4, Flush end contact, 170M

1250 V a.c. (IEC), 800 to 2500 A

Dimensions - mm



Type 4BKN/105



Type 4SBKN/105

Data sheets: 170K6640 (1400-2400 A), 170K6642 (800-1200, 2500 A)

Size 23, Flush end contact, 170M

660 V a.c. (IEC), 1000 to 4000 A

Specifications

Description

Square body, flush end contact, high speed fuse links, for the protection of power rectifiers.

Technical data

Rated voltage:

- 660 V a.c. (IEC, 1000-3000 A)
- 600 V a.c. (IEC, 3500 A)
- 550 V a.c. (IEC, 4000 A)

Rated current: 1000-4000 A

Breaking capacity: 100 kA RMS Sym.

Operating class: aR



Standards / Agency information

CE, Designed and tested to IEC 60269 Part 4.

Fuse link body size	Rated voltage	Rated current (Amps)	I ² t (A ² Sec)		Watts loss (W)	Catalogue numbers					
			Pre-arcing	Clearing at 660 V a.c.		-BU/55	-BKE/55 Type K indicator	-BKN/55 Type K indicator	-GU/55	-GKE/55 Type K Indicator	-GKN/55 Type K Indicator
23	660 V a.c. (IEC)	1000	79,000	530,000	170	170M6858	170M6898	170M6878	170M6918	170M6958	170M6938
		1100	95,000	635,000	185	170M6859	170M6899	170M6879	170M6919	170M6959	170M6939
		1250	155,000	1,050,000	190	170M6860	170M6900	170M6880	170M6920	170M6960	170M6940
		1400	200,000	1,350,000	210	170M6861	170M6901	170M6881	170M6921	170M6961	170M6941
		1500	240,000	1,650,000	215	170M6862	170M6902	170M6882	170M6922	170M6962	170M6942
		1600	315,000	2,150,000	220	170M6863	170M6903	170M6883	170M6923	170M6963	170M6943
		1800	450,000	3,050,000	230	170M6864	170M6904	170M6884	170M6924	170M6964	170M6944
		2000	625,000	4,200,000	240	170M6865	170M6905	170M6885	170M6925	170M6965	170M6945
		2200	805,000	5,400,000	255	170M6866	170M6906	170M6886	170M6926	170M6966	170M6946
		2500	1,250,000	8,350,000	265	170M6867	170M6907	170M6887	170M6927	170M6967	170M6947
	3000	2,250,000	15,500,000	285	170M6868	170M6908	170M6888	170M6928	170M6968	170M6948	
	600 V a.c. (IEC)	3500	3,450,000	21,000,000 ¹	315	170M6869	170M6909	170M6889	170M6929	170M6969	170M6949
	550 V a.c. (IEC)	4000	5,000,000	27,500,000 ²	340	170M6870	170M6910	170M6890	170M6930	170M6970	170M6950

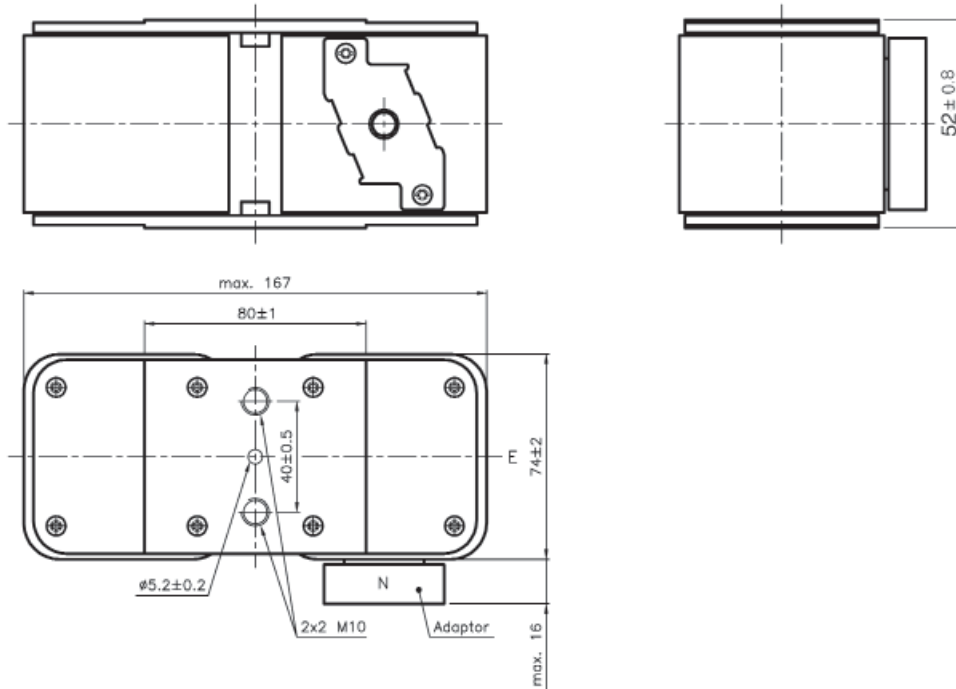
¹ Clearing at 600 V a.c.

² Clearing at 550 V a.c.

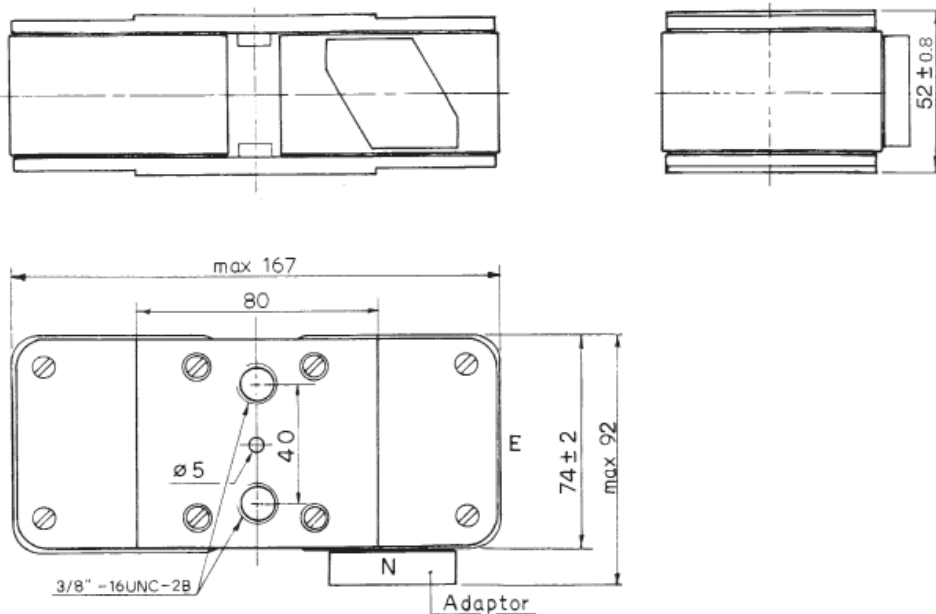
When using these fuse links, please consult Eaton for application assistance at bulehighspeedtechnical@eaton.com.

Size 23, Flush end contact, 170M
 660 V a.c. (IEC), 1000 to 4000 A

Dimensions - mm



Type -BU/55, -BKE/55, -BKN/55



Type -GU/55, -GKE/55, -GKN/55

When using these fuse links, please consult Eaton for application assistance at bulehighspeedtechnical@eaton.com.

Size 23, Flush end contact, 170M

1250 V a.c. (IEC), 630 to 2800 A

Specifications

Description

Square body, flush end contact, high speed fuse links, for the protection of power rectifiers.

Technical data

Rated voltage:

- 1250 V a.c. (IEC 630 to 2200 A)
- 1100 V a.c. (IEC 2500 and 2800 A)

Rated current: 630-2800 A

Breaking capacity: 125kA RMS Sym.

Operating class: aR

Standards / Agency information

CE, Designed and tested to IEC 60269 Part 4.

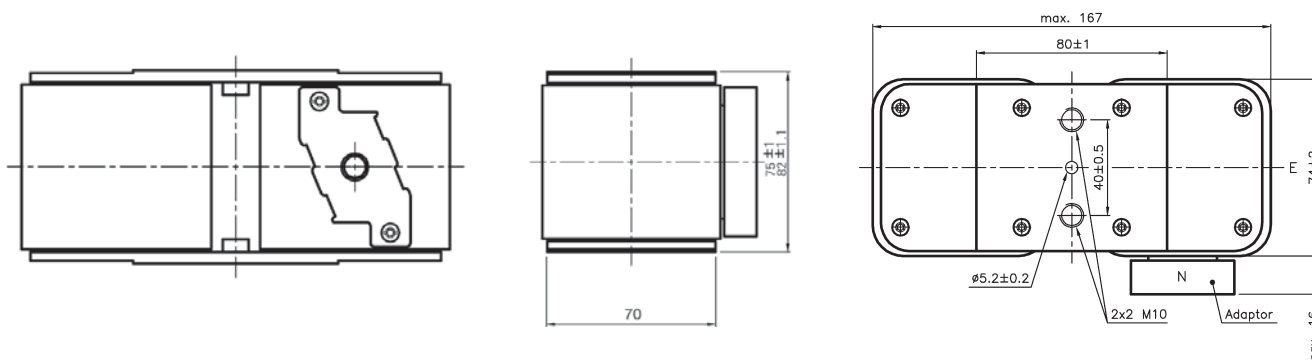


Fuse link body size	Rated voltage	Rated current (Amps)	I ² t (A ² Sec)		Watts loss (W)	Catalogue numbers						
			Pre-arcing	Clearing at 1250 V a.c.		-BU/75 Visual indicator	-BKE/75 Type K indicator	-BKN/75 Type K indicator	-BU/80 Visual indicator	-BKE/80 Type K Indicator	-BKN/80 Type K Indicator	
23	1250 V a.c. (IEC)	630	38,000	310,000	170	170M6775	170M6795	170M6785				
		700	54,000	440,000	180	170M6776	170M6796	170M6786				
		800	78,000	640,000	190	170M6777	170M6797	170M6787				
		900	120,000	980,000	200	170M6805	170M6807	170M6806				
		1000	155,000	1,250,000	210	170M6778	170M6798	170M6788				
		1100	220,000	1,750,000	220	170M6779	170M6799	170M6789				
		1250	330,000	2,700,000	230	170M6780	170M6800	170M6790				
		1400	460,000	3,800,000	240	170M6781	170M6801	170M6791				
		1600	820,000	5,200,000	250	170M6782	170M6802	170M6792				
		1800	1,200,000	7,600,000	260	170M6783	170M6803	170M6793				
		2000	1,800,000	11,000,000	270				170M6784	170M6804	170M6794	
		2200	2,300,000	14,500,000	280				170M6815	170M6833	170M6827	
		1100 V a.c. (IEC)	2500	3,200,000	16,000,000 ¹	290				170M6816	170M6834	170M6828
			2800	5,000,000	24,000,000 ¹	300				170M6817	170M6835	170M6829

¹ Clearing at 1000 V

When using these fuse links, please consult Eaton for application assistance at bulehighspeedtechnical@eaton.com.

Dimensions - mm



Data sheet: 170K6638

Size 24, Flush end contact, 170M

690 V a.c. (IEC), 2000 to 7500 A

Specifications

Description

Square body, flush end contact, high speed fuse links, for the protection of power rectifiers.

Technical data

Rated voltage:

- 690 V a.c. (IEC 2000 to 7000 A)
- 500 V a.c. (IEC 7500 A)

Rated current: 2000-7500 A

Breaking capacity: 200 kA RMS Sym.

Operating class: aR

Standards / Agency information

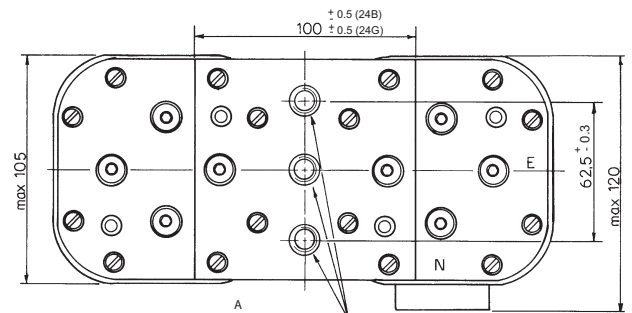
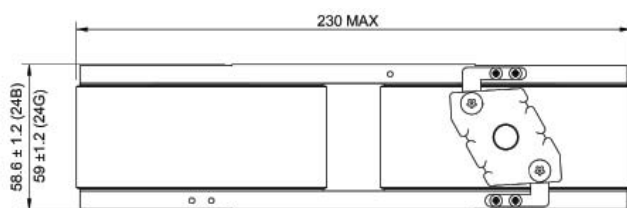
CE, Designed and tested to IEC 60269 Part 4.



Fuse link body size	Rated voltage	Rated current (Amps)	I ² t (A ² Sec)		Watts loss (W)	Catalogue numbers			
			Pre-arcing	Clearing at 660 V a.c.		-BU/60 Without indicator	-BKN/60 Type K indicator	-GU/60 Without indicator	-GKN/60 Type K indicator
24	690 V a.c. (IEC)	2000	340,000	2,300,000	340	170M7138	170M7158	170M7198	170M7218
		2500	650,000	4,350,000	390	170M7139	170M7159	170M7199	170M7219
		3000	1,100,000	7,300,000	430	170M7140	170M7160	170M7200	170M7220
		3500	1,800,000	12,000,000	460	170M7141	170M7161	170M7201	170M7221
		4000	2,700,000	18,000,000	490	170M7142	170M7162	170M7202	170M7222
		4500	3,800,000	25,500,000	520	170M7143	170M7163	170M7203	170M7223
		5000	5,450,000	36,500,000	540	170M7144	170M7164	170M7204	170M7224
		5500	7,400,000	49,500,000	560	170M7145	170M7165	170M7205	170M7225
		6000	9,600,000	64,000,000	580	170M7146	170M7166	170M7206	170M7226
		6500	12,500,000	83,000,000	600	170M7147	170M7167	170M7207	170M7227
		7000	15,000,000	100,000,000	630	170M7148	170M7168	170M7208	170M7228
			500 V a.c. (IEC)	7500	18,500,000	93,000,000 ¹	660	170M7149	170M7169

¹ Clearing at 500 V a.c.

Dimensions - mm



Size	Type	A
24	BKN	2x3 M12
24	GKN	2x3 ½" -13 UNC-2B

When using these fuse links, please consult Eaton for application assistance at bulehighspeedtechnical@eaton.com.

Size 24, Flush end contact, 170M 1000 V a.c. (IEC), 2000 to 5000 A

Specifications

Description

Square body, flush end contact, high speed fuse links, for the protection of power rectifiers.

Technical data

Rated voltage: 1000 V a.c. (IEC)

Rated current: 2000-5000 A

Breaking capacity: 300 kA RMS Sym.

Operating class: aR

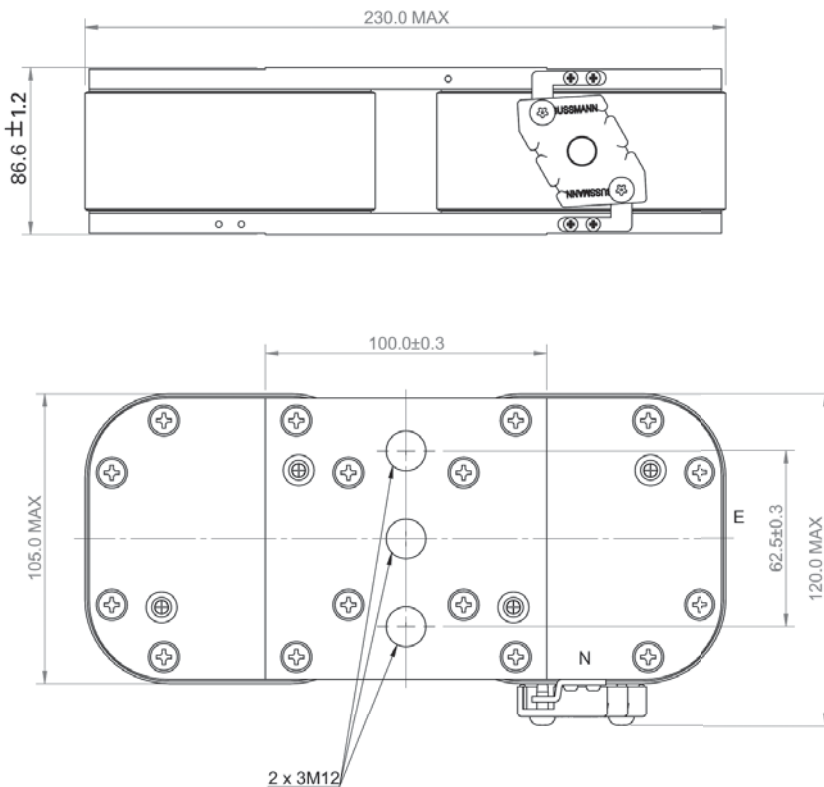


Standards / Agency information

CE, Designed and tested to IEC 60269 Part 4.

Fuse link body size	Rated voltage	Rated current (Amps)	I ² t (A ² Sec)		Watts loss (W)	Catalogue numbers
			Pre-arcing	Clearing at 1000 V a.c.		-BKN/85 Type K indicator
24	1000 V a.c. (IEC)	2000	900,000	5,350,000	345	170M7608
		3000	2,950,000	17,500,000	430	170M7680
		3200	3,300,000	20,000,000	440	170M7567
		3500	4,500,000	27,000,000	450	170M7568
		4000	6,800,000	40,000,000	475	170M7569
		4200	8,000,000	47,500,000	485	170M7498
		4500	10,000,000	59,000,000	495	170M7488
		5000	14,000,000	82,500,000	540	170M7622

Dimensions - mm



The normal position of the indicator is as shown position N, position E on request only

When using these fuse links, please consult Eaton for application assistance at bulehighspeedtechnical@eaton.com.

Data sheets: 170K8514

Size 5, Flush end contact, 170M

1100-2000 V a.c. (IEC), 1800 to 5500 A

Specifications

Description

Square body flush end contact high speed fuse links, for the protection or isolation for components such as diodes, silicon controlled rectifiers (SCRs), Gate Turn-Off Thyristors (GTOs) and IGBTs. Typical application include AC and DC drives, high power rectifiers.

Technical data

Rated voltage: 1100-2000 V a.c. (IEC)
 Rated current: 1800-5500 A
 Breaking capacity: 300 kA RMS Sym. estimated: 197 kA tested.
 Operating class: aR

Standards / Agency information

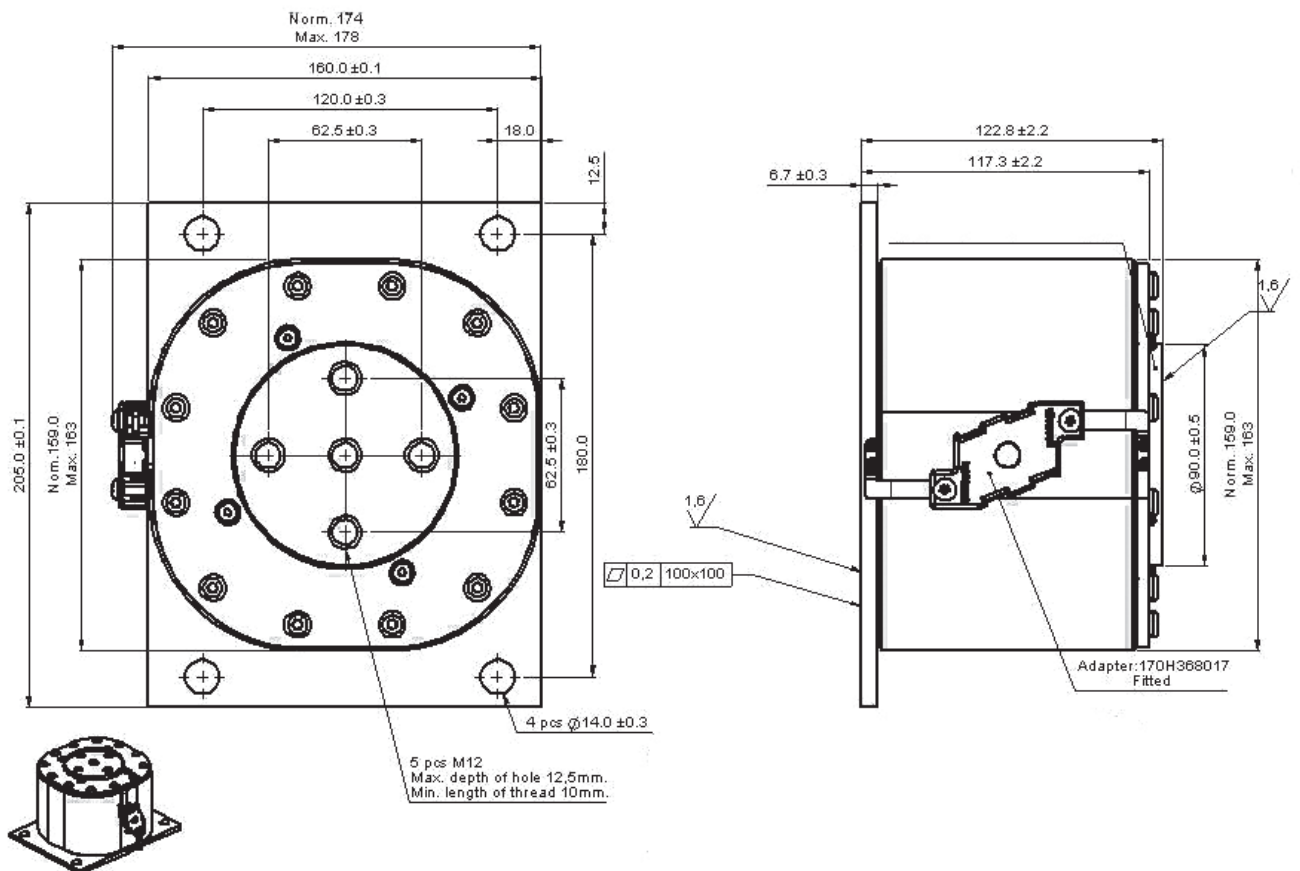
Consult Eaton bulehighspeedtechnical@eaton.com.

Catalogue Numbers

Consult Eaton bulehighspeedtechnical@eaton.com.



Dimensions - mm



This dimension drawing is an example of the range of size 5 fuse links available.

Drive fuse links

DFJ

600 V a.c. / 450 V d.c. (UL), 1 to 600 A

Specifications

Description

Bolted tags high speed fuse links that provide maximum protection for AC and DC drives and controllers. The DFJ fuse link has the lowest I²t of any branch circuit fuse to protect power semi-conductor devices that utilise diodes, GTOs, SCRs and SSRs. The DFJ fuse links combine the performance of high speed fuse links and the convenience of Class J branch circuit fuse links, allowing the use of readily available Class J fuse blocks, holders and switches.

Technical data

Rated voltage:	600 V a.c. / 450 V d.c. (UL)
Rated current:	1-600 A
Breaking capacity:	200 kA RMS Sym., 100 kA DC
Operating class:	aR

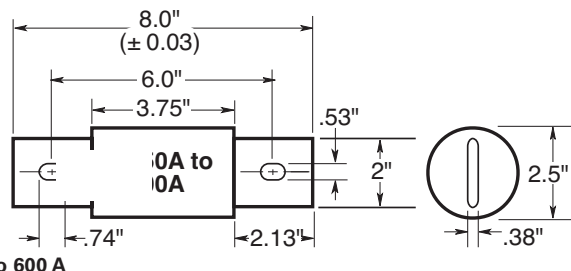
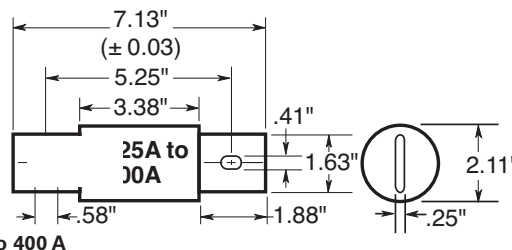
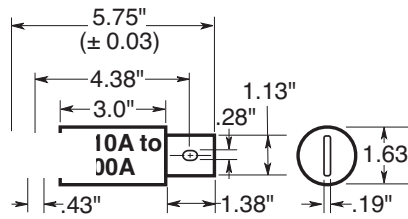
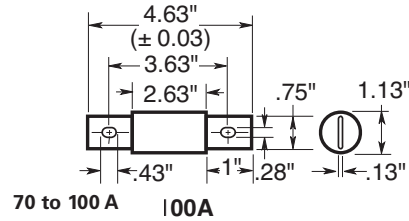
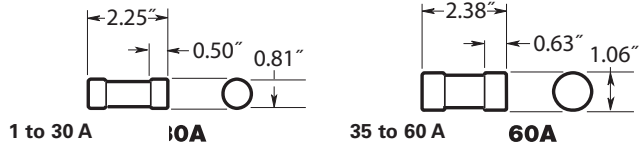
Standards / Agency information

UL Listed, Std 248-8, Class J, Guide JDDZ, File E4273 CSA Certified, C22-2 No 248.8, Class 1422-02, File 53787 meets NEC branch circuit protection.



Rated voltage	Rated current (Amps)	Catalogue numbers
	1	DFJ-1
	2	DFJ-2
	3	DFJ-3
	4	DFJ-4
	5	DFJ-5
	6	DFJ-6
	8	DFJ-8
	10	DFJ-10
	12	DFJ-12
	15	DFJ-15
	20	DFJ-20
	25	DFJ-25
	30	DFJ-30
	40	DFJ-40
	45	DFJ-45
	50	DFJ-50
600 V a.c. / 450 V d.c. (UL)	60	DFJ-60
	70	DFJ-70
	80	DFJ-80
	90	DFJ-90
	100	DFJ-100
	110	DFJ-110
	125	DFJ-125
	150	DFJ-150
	175	DFJ-175
	100	DFJ-100
	225	DFJ-225
	250	DFJ-250
	300	DFJ-300
	350	DFJ-350
	400	DFJ-400
	450	DFJ-450
	500	DFJ-500
	600	DFJ-600

Dimensions - in



IGBT fuse links

Size 000 and 230, 170M

750 V d.c. (IEC), 800 V d.c. (UL), 25 to 630 A

Specifications

Description

Bolted tags high speed fuse links for the protection of IGBT modules, optimised for use in IGBT inverter circuits with DC link rated voltages up to 750 V d.c.. Low inductance $\leq 15\text{nH}$.

Technical data

Rated voltage:

- 750 V d.c. tested at 863V d.c. according to IEC 60269-4
- 800 V d.c. tested at 800 V d.c. according to UL 248-1

Rated current: 25-630 A

Breaking capacity: 50 kA DC (1ms tc) at 800 V d.c.

Operating class: aR

Standards / Agency information

UL DC Recognised, 800 V d.c. L/R 1 mS max.



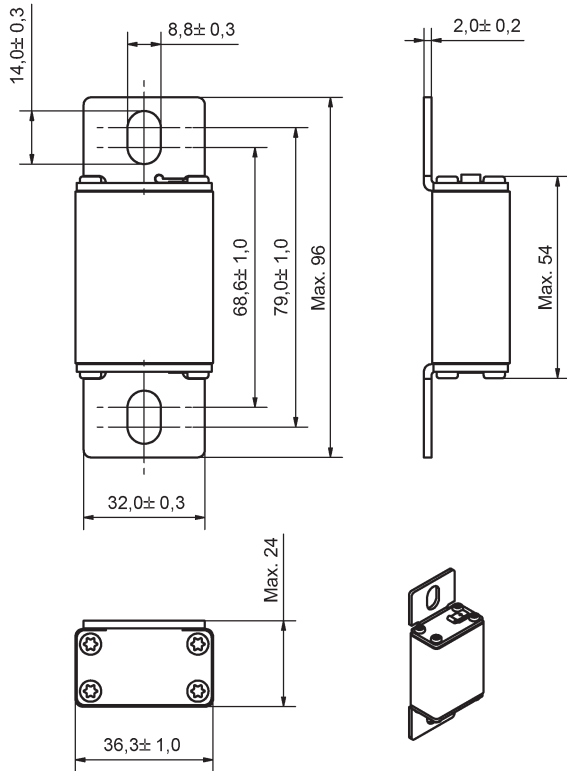
Fuse link body size	Rated voltage	Rated current (Amps)	I^2t (A ² Sec)		Watts loss (W)	Catalogue numbers			
			Pre-arcing			-FU/70	-FN/70		
000	750 V d.c. (IEC) 800 V d.c. (UL)	25	25		12	170M1750	170M1730		
		32	45		13	170M1751	170M1731		
		40	75		14	170M1752	170M1732		
		50	135		16	170M1753	170M1733		
		63	260		17	170M1754	170M1734		
		80	460		20	170M1755	170M1735		
		100	795		25	170M1756	170M1736		
		125	1300		29	170M1757	170M1737		
		160	2550		34	170M1758	170M1738		
		200	4350		40	170M1759	170M1739		
		250	7400		48	170M1760	170M1740		
		315	12,500		60	170M1761	170M1741		
		350	17,000		65	170M1762	170M1742		
		230	750 V d.c. (IEC) 800 V d.c. (UL)	100	380		35	170M1770	170M1785
				125	645		42	170M1771	170M1786
160	1350				47	170M1772	170M1787		
200	2550				54	170M1773	170M1788		
250	4950				62	170M1774	170M1789		
315	9350				72	170M1775	170M1790		
350	12,000				78	170M1776	170M1791		
400	18,500				80	170M1777	170M1792		
450	27,000				85	170M1778	170M1793		
500	37,500				90	170M1779	170M1794		
550	48,500				95	170M1780	170M1795		
630	69,500				105	170M1781	170M1796		

Data sheets: 170K6422 (Size 000), 170K6426 (Size 230) AC data sheet

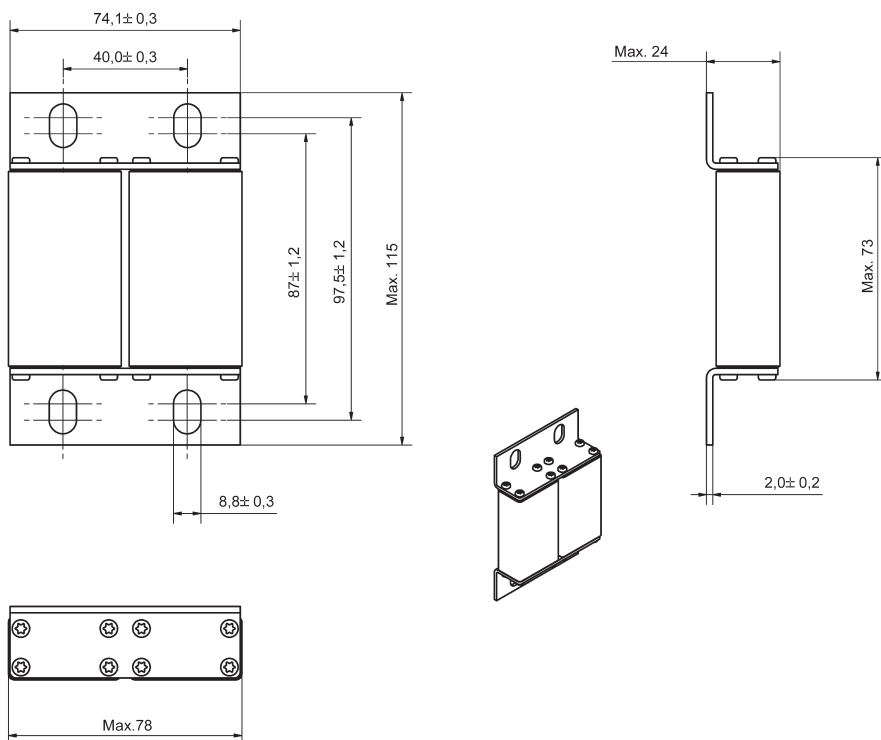
Size 000 and 230, 170M

750 V d.c. (IEC), 800 V d.c. (UL), 25 to 630 A

Dimensions - mm



Size 000



Size 230

Data sheets: 170K6422 (Size 000), 170K6426 (Size 230)

Size 000 and 230, 170M

1000 V d.c. (IEC and UL), 25 to 500 A

Specifications

Description

High speed bolted tags high speed fuse links for the protection of IGBT modules, optimised for use in IGBT inverter circuits with DC link rated voltages up to 1000 V d.c.. Low inductance $\leq 20\text{nH}$.

Technical data

Rated voltage:

- 1000 V d.c. tested at 1150 V d.c. according to IEC 60269-4
- 1000 V d.c. tested at 1000 V d.c. according to UL 248-1

Rated current: 25-500 A

Breaking capacity: 50 kA DC (1ms tc)

Operating class: aR

Standards / Agency information

UL DC Recognised, 1000 V d.c. L/R 1mS max.



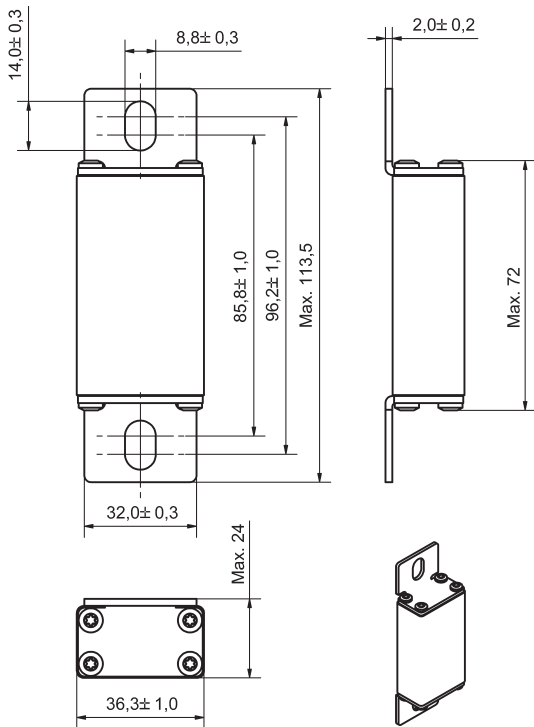
Fuse link body size	Rated voltage	Rated current (Amps)	I ² t (A ² Sec)	Watts loss (W)	Catalogue numbers	
			Pre-arcing		-FU/90	-FN/90
000	1000 V d.c. (IEC/UL)	25	19	14	170M1802	170M1842
		32	34	17	170M1803	170M1843
		40	61	20	170M1804	170M1844
		50	135	21	170M1805	170M1845
		63	245	22	170M1806	170M1846
		80	505	27	170M1807	170M1847
		100	1050	32	170M1808	170M1848
		125	1900	34	170M1809	170M1849
		160	4050	37	170M1810	170M1850
		200	8500	43	170M1811	170M1851
		225	12,000	45	170M1812	170M1852
		250	16,000	48	170M1813	170M1853
		230	1000 V d.c. (IEC/UL)	100	600	38
125	1200			42	170M1825	170M1861
160	2550			48	170M1826	170M1862
200	4650			55	170M1827	170M1863
250	9300			62	170M1828	170M1864
315	18,500			68	170M1829	170M1865
350	24,500			75	170M1830	170M1866
400	37,500			80	170M1831	170M1867
450	52,000			85	170M1832	170M1868
	500	69,500	90	170M1833	170M1869	

Data sheets: 170K6680 (Size 000), 170K6682 (Size 230) AC data sheet

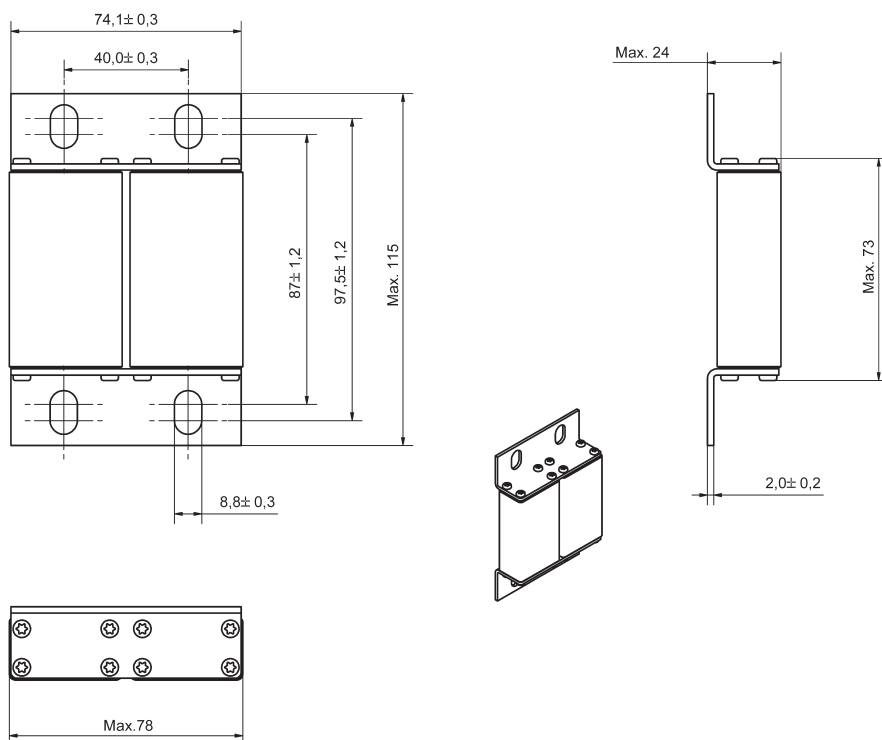
Size 000 and 230, 170M

1000 V d.c. (IEC and UL), 25 to 500 A

Dimensions - mm



Size 000



Size 230

Data sheets: 170K6680 (Size 000), 170K6682 (Size 230)

Traction fuse links

Size 1*, 3 and 23, Square body fuse links, 170M

750 V d.c. (IEC), 50 to 1600 A

Specifications

Description

Traction flush end square body high speed fuse links for superior protection of DC third rail applications up to 750 V d.c.

Technical data

Rated voltage: 750 V d.c. (IEC)

Rated current: 50-1600 A

Breaking capacity:

- Size 1*: 85 kA at 750 V d.c., L/R 95ms
80 kA at 950 V d.c., L/R 40ms
- Size 3 and 23: 110 kA at 750 V d.c., L/R 40ms

Operating class:

- aR size 1*
- gR size 3 and 23

Standards / Agency information

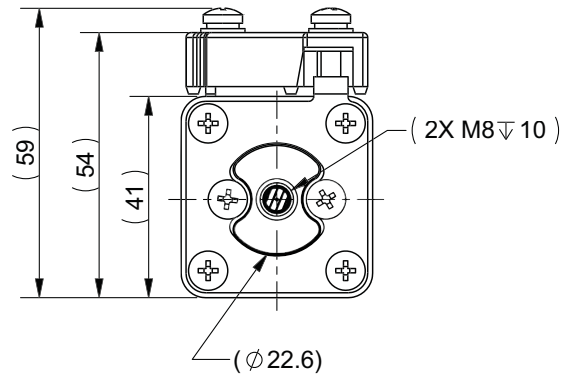
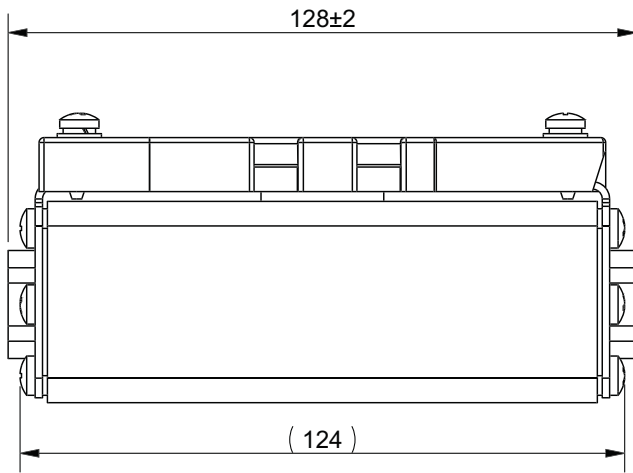
IEC 60269



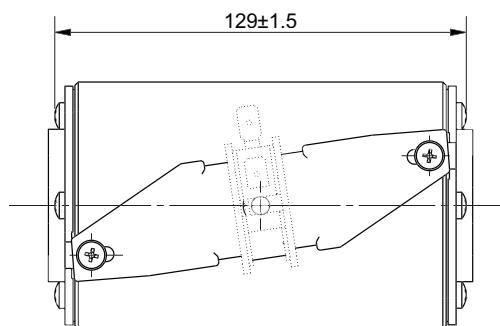
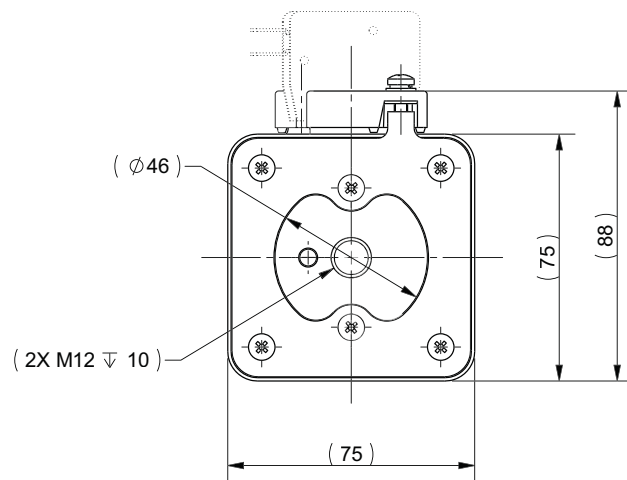
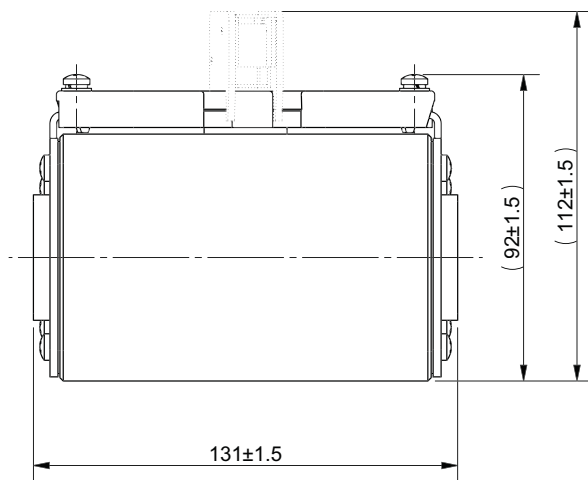
Fuse link type	Fuse link body size	Rated voltage	Rated current (Amps)	I²t (A² Sec)		Watts loss (W)		Catalogue numbers
				Pre-arcing	Clearing at 750 V d.c.	0.8 I _n	I _n	
Flush end	1*	750 V d.c. (IEC)	50	390	1300	15	27	170M2000
			63	610	2050	18	35	170M2001
			80	670	2250	19	37	170M2002
			100	2450	8150	21	40	170M2003
			125	2950	9800	24	47	170M2004
			160	5500	18,250	29	56	170M2005
Flush end	3	750 V d.c. (IEC)	450	65,700	272,300	46	87	170M2010
			500	83,200	344,800	52	98	170M2011
			550	136,700	566,500	67	126	170M2012
			630	173,500	719,000	75	142	170M2013
			700	268,000	1,110,500	78	156	170M2014
			750	307,600	1,275,000	83	167	170M2015
Parallel	23	750 V d.c. (IEC)	800	349,900	1,450,000	89	178	170M2016
			1000	476,300	1,973,700	112	187	170M2017
			1250	694,000	2,875,800	134	224	170M2018
			1400	1,071,600	4,440,500	152	254	170M2019
			1500	1,230,200	5,097,700	165	275	170M2020
			1600	1,399,700	5,800,100	180	300	170M2021

Size 1*, 3 and 23, Square body fuse links, 170M
750 V d.c. (IEC), 50 to 1600 A

Dimensions - mm



170M2000 to 170M2005 - Flush End - Size 1*

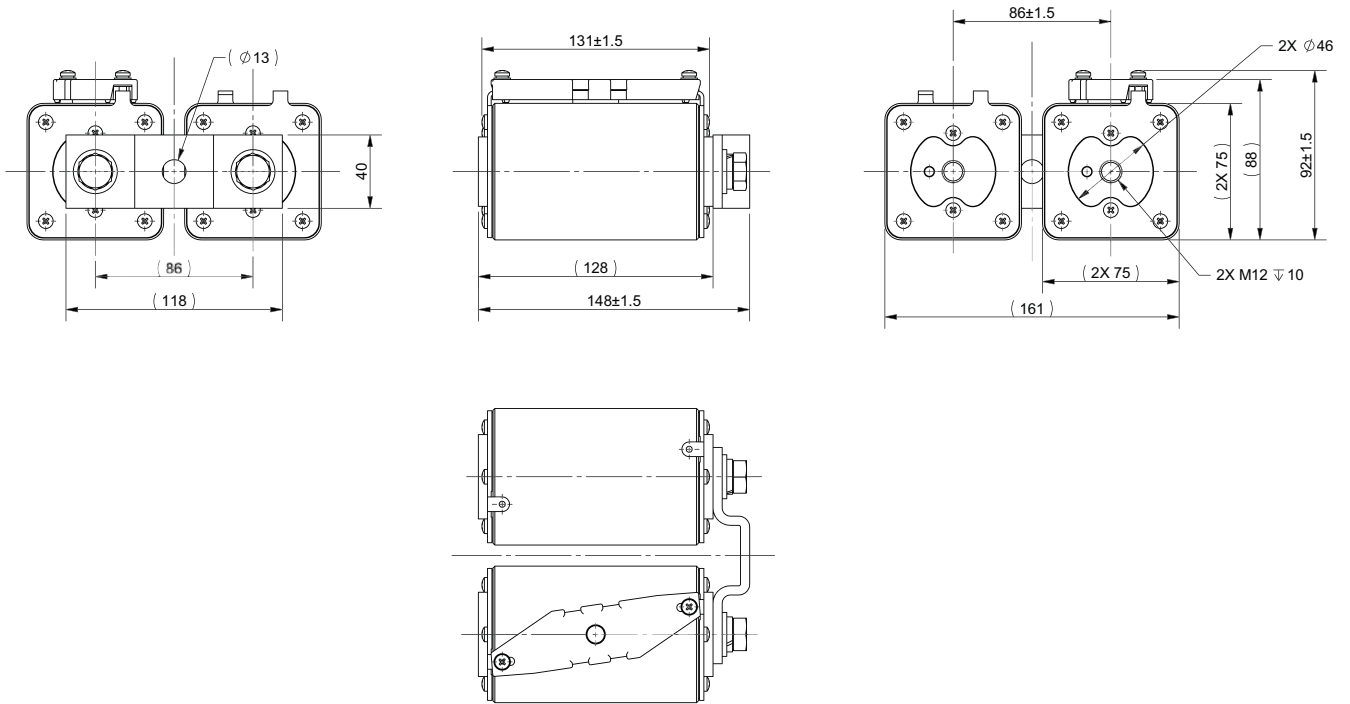


170M2010 to 170M2016 - Flush End - Size 3

Data sheet: 720140

Size 1*, 3 and 23, Square body fuse links, 170M
 750 V d.c. (IEC), 50 to 1600 A

Dimensions - mm



170M2017 to 170M2021 - Parallel - Size 23

Size 1*, 1, 2 and 3, Square body fuse links, 170E

750 V d.c. (IEC), 63 to 500 A

Specifications

Description

Traction flush end square body high speed fuse links for superior protection of DC third rail applications up to 750 V d.c..

Technical data

Rated voltage: 750 V d.c. (IEC)

Rated current: 63-500 A

Breaking capacity:

- 100 kA at 1000 V d.c., L/R 40ms
- 100 kA at 750 V d.c., L/R 100ms

Operating class: gR

Standards / Agency information

Consult Eaton bulehighspeedtechnical@eaton.com



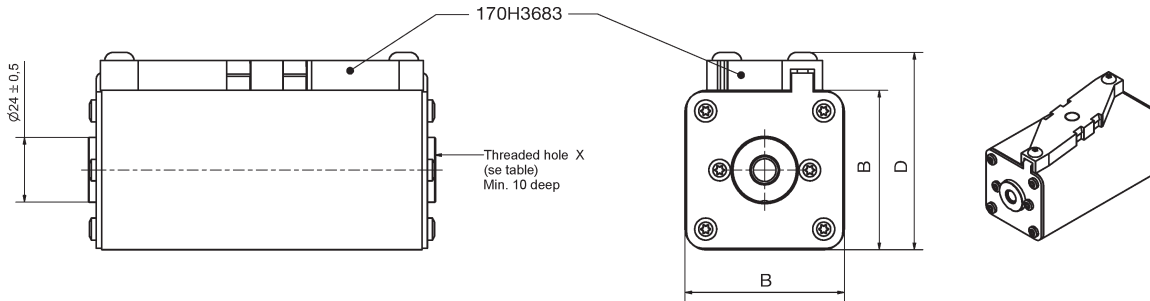
Fuse link body size	Rated voltage	Rated current (Amps)	I ² t (A ² s)	Watts loss (W)	Catalogue numbers	Fuse link type	Catalogue numbers	Fuse link type
			Pre-arcing		-BK flush end		-EK knife blade	
1*	750 V d.c. (IEC)	63	1100	10	170E3577	BK/130	170E3583	EK/155
		80	1750	13	170E3578		170E3584	
		100	3000	16	170E3579		170E3585	
		125	4500	21	170E3580		170E3586	
		160	7700	26	170E3581		170E3587	
1	750 V d.c. (IEC)	200	11,000	37	170E5417	170E5420	EK/165	
		250	18,000	46	170E5418	170E5421		
		250	17,000	47	170E8335	170E8345		
2	750 V d.c. (IEC)	315	28,000	57	170E8336	170E8346	EK/170	
		400	55,000	73	170E8337	170E8347		
3	750 V d.c. (IEC)	500	75,500	93	170E9681	170E9685	EK/170	

Data sheets: Size 1* 170K3620, Size 1 170K3622, Size 2 170K3624, Size 3 170K3626-A

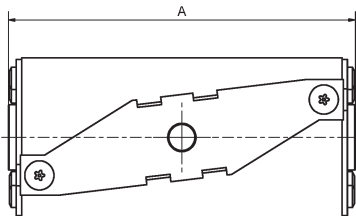
Size 1*, 1, 2 and 3, Square body fuse links, 170E

750 V d.c. (IEC), 63 to 500 A

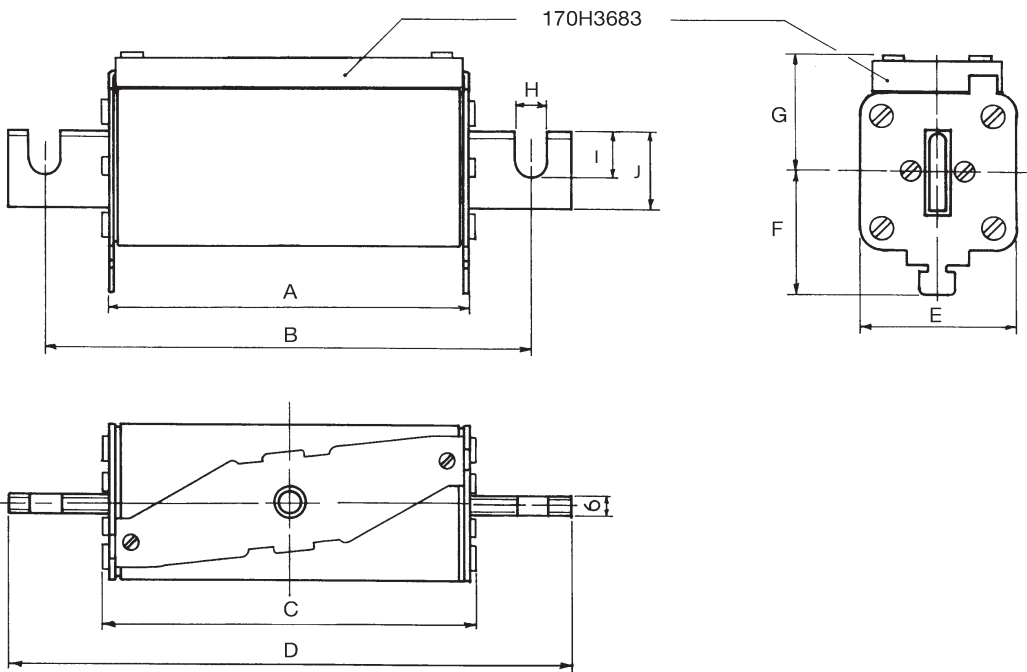
Dimensions - mm



Size	A	B	D	X
1*BK/130	129	43	61	M8
1 BK/130	130	51	69	M8
2 BK/130	130	59	77	M10
3 BK/130	131	74	90	M12



Type -BK/130



Type -EK/-

Size	A	B	C	D	E	F	G	H	I	J
1*EK/155	124	156	129	180	43	36	41	9	9	18
1 EK/165	124	166	129	191	51	37	41	11	14	25
2 EK/170	124	170	129	205	59	42	48	13	21	30
3 EK/170	125	170	130	206	74	51	56	13	20	36

Data sheets: Size 1* 170K3620, Size 1 170k3622, Size 2 170K3624, Size 3 170K3626-A

Size 4, Square body fuse links, 170M7217

1250 V a.c. / 850 V d.c. (IEC), 1400 A

Specifications

Description

Traction flush end square body high speed fuse link suitable for use in third rail collector systems to protect high speed DC breakers in low time constant, high fault conditions. Suitable for 1250 V a.c. / 850 V d.c. systems.

Technical data

Rated voltage: 1250 V a.c. / 850 V d.c. (IEC)

Rated current: 1400 A

Tested breaking capacity:

- 100 kA at 1250 V a.c.
- 80 kA at 850 V d.c., L/R 8ms

Operating class: aR

Standards / Agency information

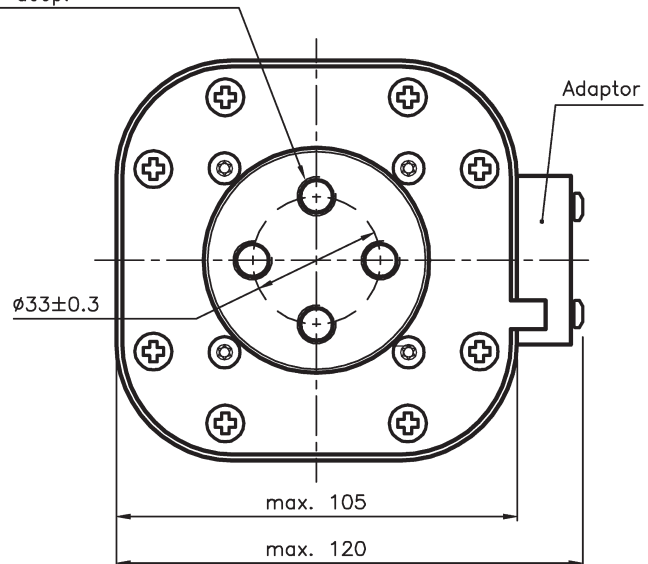
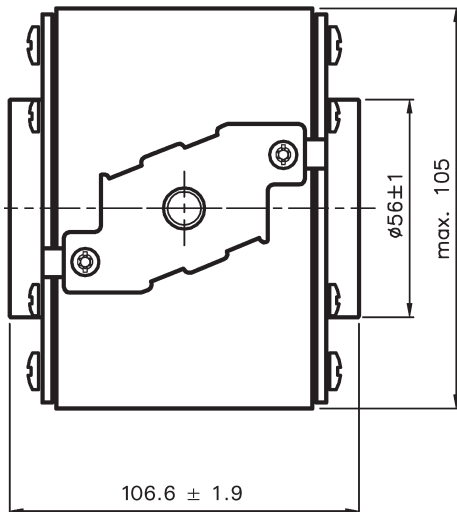
Consult Eaton bulehighspeedtechnical@eaton.com



Fuse link body size	Rated voltage	Rated current (Amps)	I ² t (A ² Sec)		Watts loss (W)	Catalogue numbers
			Pre-arcing	Clearing at 1250 V a.c.		
4	850 V d.c./ 1250 V a.c. (IEC)	1400	800,000	5,000,000	195	170M7217

Dimensions - mm

Thread controlled with 6H gauge.
Hole min. 11 deep.



Size 1*, Square body fuse links, 170M

1200 V d.c. (IEC), 20 to 215A

Specifications

Description

Traction bolted tags square body high speed fuse links for superior protection of DC third rail applications up to 1200 V d.c..

Technical data

Rated voltage: 1200 V d.c. (IEC)

Rated current: 20-215 A

Tested breaking capacity: 150 kA at 1350 V d.c., L/R 12ms

Operating class: aR

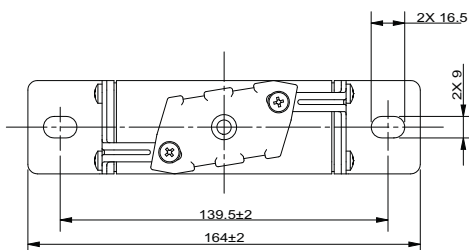
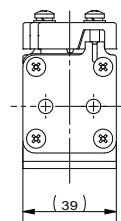
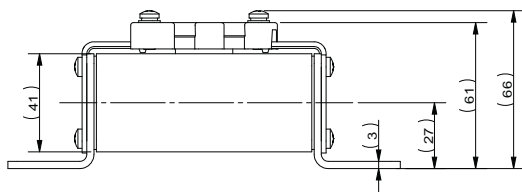
Standards / Agency information

IEC 60269



Fuse link type	Fuse link body size	Rated voltage	Rated current (Amps)	I ² t (A ² Sec)		Watts loss (W)		Catalogue numbers
				Pre-arcing	Clearing at 1200 V d.c.	0.8 I _n	I _n	
Single slot tag	1*	1200 V d.c. (IEC)	20	82	249	1	2	170M2100
			25	173	526	4	8	170M2101
			32	327	994	5	9	170M2102
			40	550	1675	1	9	170M2103
			50	950	2890	7	13	170M2104
			63	1310	3990	5	9	170M2105
			80	1970	6000	13	23	170M2106
			100	3800	11,600	14	26	170M2107
			125	8550	26,025	13	24	170M2108
			160	8770	26,700	24	44	170M2109
			200	15,200	46,300	29	52	170M2110
			215	16,430	50,000	32	58	170M2111

Dimensions - mm



Data sheet: 720141

Size 2, Square body fuse links, 170F

1200 V d.c. (IEC), 160 to 420 A

Specifications

Description

Traction bolted tags square body high speed fuse link for superior protection in DC traction applications up to 1200 V d.c..

Technical data

Rated voltage: 1200 V d.c. (IEC)

Rated current: 160-420 A

Breaking capacity:

- 100 kA at 1000 V d.c., L/R = 45ms
- 100 kA at 1200 V d.c., L/R = 15ms

Operating class: aR

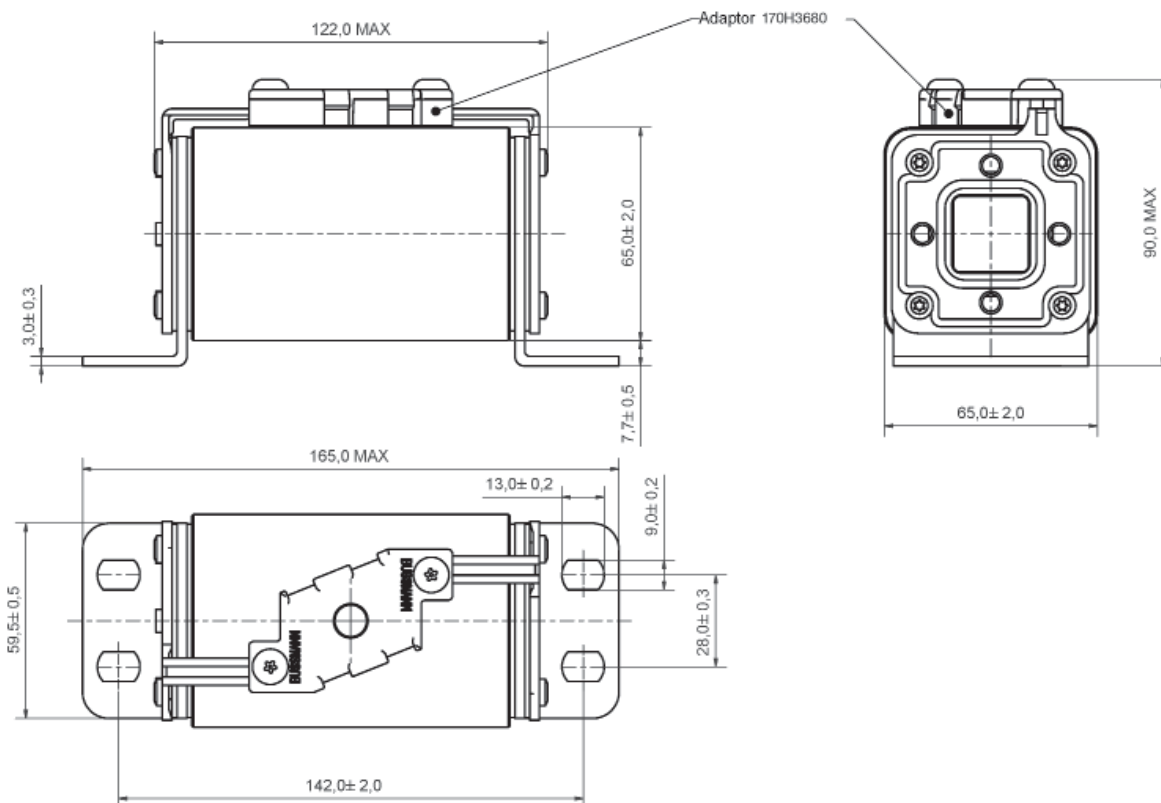
Standards / Agency information

Contact Eaton bulehighspeedtechnical@eaton.com



Fuse link type	Fuse link body size	Rated voltage	Rated current (Amps)	I ² t (A ² Sec)		Watts loss (W)	Catalogue numbers
				1000 V d.c. L/R 15ms	1000 V d.c. L/R 45ms		
Double slotted tag	2	1200 V d.c. (IEC)	160	12,000	20,000	75	170F8230
			200	20,000	35,000	85	170F8231
			250	43,000	75,000	94	170F8232
			315	87,000	150,000	104	170F8233
			400	180,000	310,000	120	170F8234
			420	215,000	375,000	122	170F8235

Dimensions - mm



Data sheet: 170K5520

Size 1*, Square body fuse links, 170E

2000 V d.c. (IEC), 10 to 80 A

Specifications

Description

Traction bolted tags square body high speed fuse link which provides superior protection in DC traction applications up to 2000 V d.c..

Technical data

Rated voltage: 2000 V d.c. (IEC)

Rated current: 10-80 A

Tested breaking capacity: 40 kA at 2000 V d.c., L/R 30ms

Operating class: gR

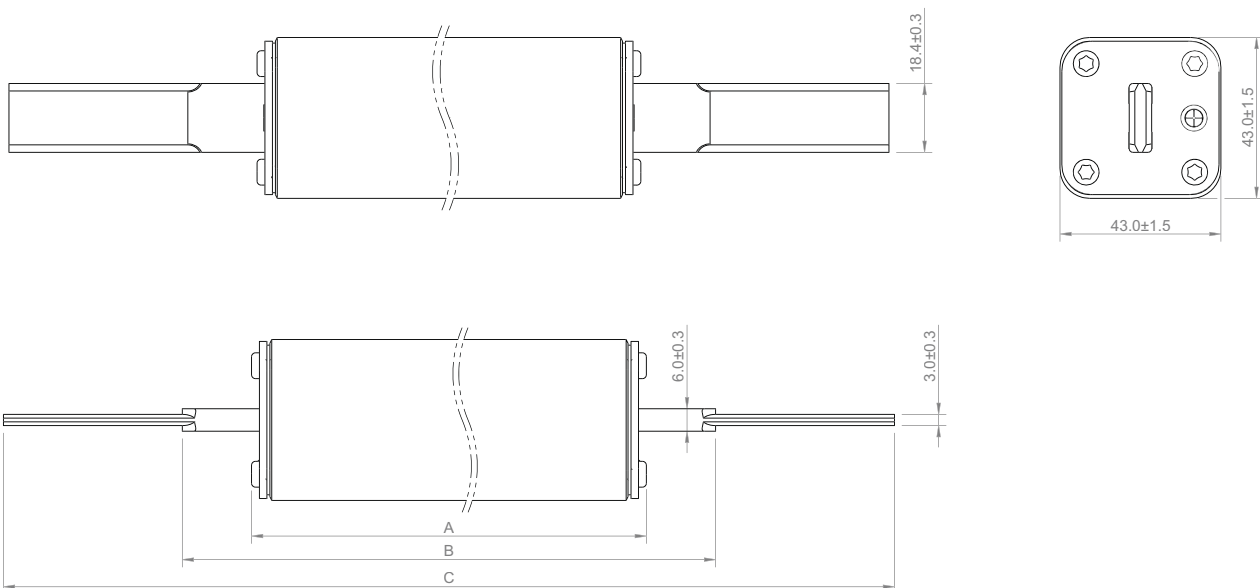
Standards / Agency information

Contact Eaton bulehighspeedtechnical@eaton.com



Fuse link type	Fuse link body size	Rated voltage	Rated current (Amps)	Watts loss (W)	Catalogue numbers
Knife blade style 1*	2000 V d.c.(IEC)		10	7	170E3977
			12	8	170E3982
			16	11	170E3971
			20	13	170E3906
			25	17	170E3907
			32	22	170E3908
			40	27	170E3909
			50	34	170E3910
			63	43	170E3911
			80	50	170E3912

Dimensions - mm



A	B	C
215 ± 2.5	250.5 ± 3.2	245.5 ± 3.5

Data sheet: 170K4538

Size 1*, Square body fuse links, 170E

2000 V d.c. (IEC), 10 to 125 A

Specifications

Description

Traction bolted tags square body high speed fuse link which provides superior protection in DC traction applications up to 2000 V d.c..

Technical data

Rated voltage: 2000 V d.c. (IEC)

Rated current: 10-125 A

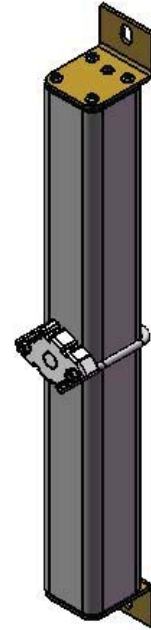
Tested breaking capacity: 40 kA at 2000 V d.c., L/R 30ms

Operating class:

- aR (170E3937 to 170E3945)
- gR (170E3950 to 170E3956 and 170E3970 and 170E3976)

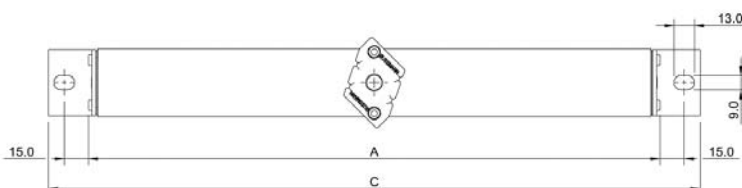
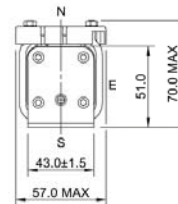
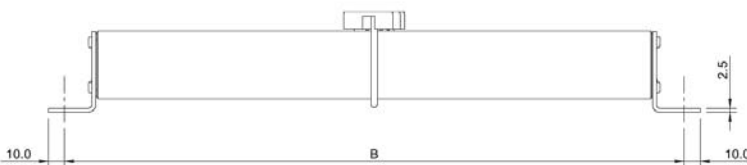
Standards / Agency information

Contact Eaton bulehighspeedtechnical@eaton.com



Fuse link type	Fuse link body size	Rated voltage	Rated current (Amps)	Watts loss (W)	Catalogue numbers
Bolted blade Style	1*	2000 V d.c. (IEC)	20	13	170E3937
			25	16	170E3938
			32	20	170E3939
			40	25	170E3940
			50	32	170E3941
			63	40	170E3942
			80	51	170E3943
			100	64	170E3944
			125	80	170E3945
			10	7	170E3976
			16	11	170E3970
			20	13	170E3950
			25	17	170E3951
			32	22	170E3952
			40	27	170E3953
			50	34	170E3954
			63	43	170E3955
			80	50	170E3956

Dimensions - mm



A	B	C
217	246	266

Data sheets: 170K4538 (IR = 30 kA), 170K4900 (IR = 60 kA)

Square body fuse links, 170M 2000 V d.c. (IEC), 20 to 600 A

Specifications

Description

Traction bolted tags square body high speed fuse links which provides superior protection for DC traction third rail applications up to 2000 V d.c..

Technical data

Rated voltage: 2000 V d.c. (IEC)

Rated current:

- 20-215 A Single slot tag
- 160-400 A Double slot tag
- 500-600 A Parallel double slot tag

Breaking capacity:

- 100 kA at 2000 V d.c., L/R <15ms
- 100 kA at 1500 V d.c., L/R <30ms

Operating class: aR

Standards / Agency information

Tested in line with IEC 60269.

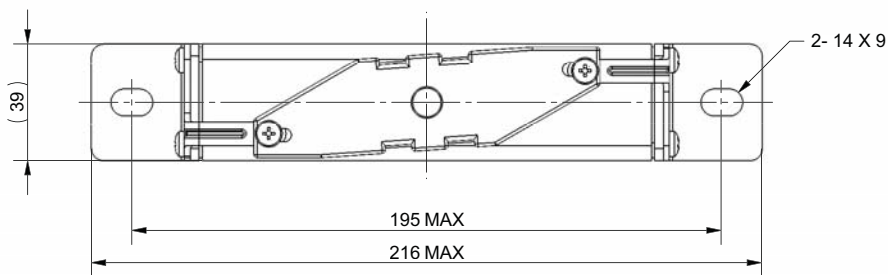
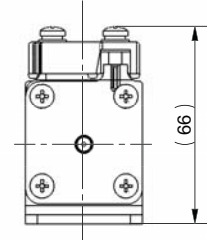
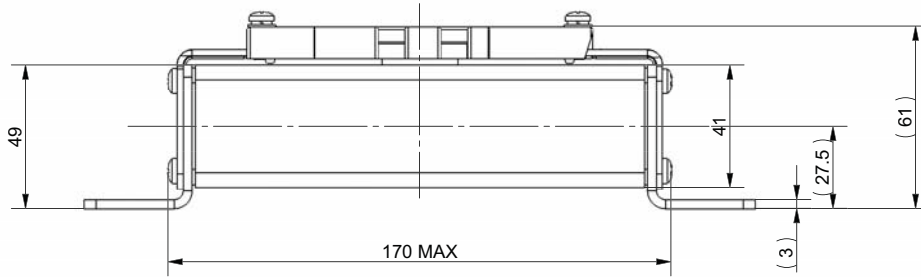


Fuse link type	Rated voltage	Rated current (Amps)	I ² t (A ² Sec)		Watts loss (W)		Catalogue numbers
			Pre-arcing	Total at 2000 V d.c.	0.8 I _n	I _n	
Single slot tag	2000 V d.c. (IEC)	20	85	240	9	12	170M2046
		25	130	390	9	16	170M2047
		32	220	645	11	18	170M2048
		40	390	1140	12	20	170M2049
		50	610	1780	17	33	170M2050
		63	1030	3000	20	39	170M2051
		80	1555	4550	28	53	170M2052
		100	2680	7840	33	63	170M2053
		125	4110	12,020	42	79	170M2054
		160	6620	19,360	45	87	170M2055
		200	10,720	31,360	50	95	170M2056
Double slot tag	2000 V d.c. (IEC)	215	21,870	64,000	51	97	170M2057
		160	7900	42,000	68	91	170M2039
		200	12,300	66,000	85	113	170M2040
		250	21,900	120,000	100	133	170M2041
		315	38,900	210,000	119	158	170M2042
Parallel double slot tag	2000 V d.c. (IEC)	400	65,700	350,000	148	176	170M2043
		500	105,851	163,010	109	230	170M2044
		600	188,179	289,796	153	305	170M2045

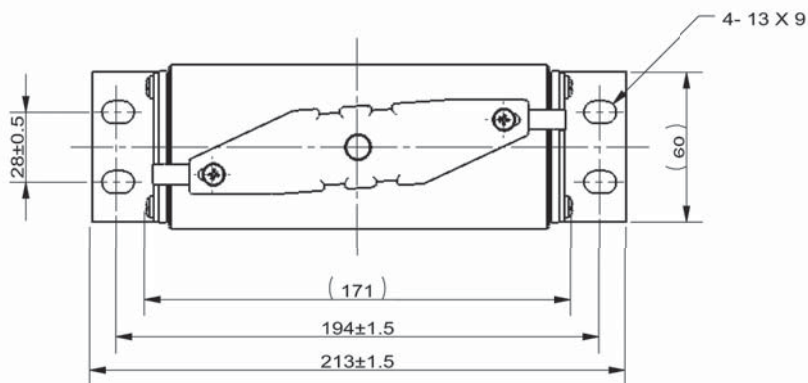
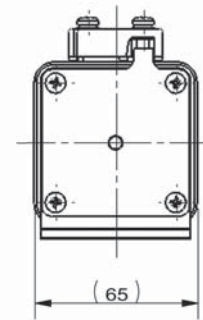
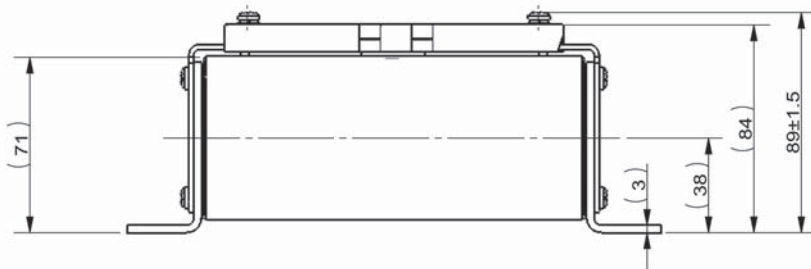
Square body fuse links, 170M

2000 V d.c. (IEC), 20 to 600 A

Dimensions - mm



170M2046 to 170M2057 - Single Slot Tag

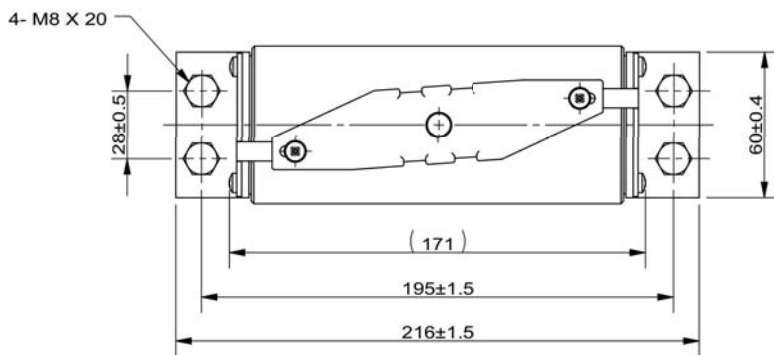
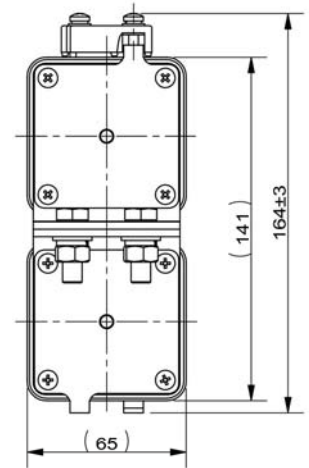
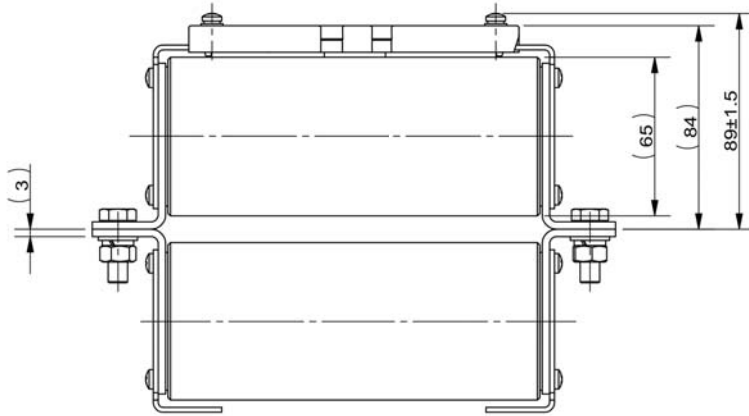


170M2039 to 170M2043 - Double Slot Tag

Data sheet: 720142

Square body fuse links, 170M
 2000 V d.c. (IEC), 20 to 600 A

Dimensions - mm



170M2044 and 170M2045 - Parallel Double Slot Tag

Size 3, Square body fuse links, 170M

2400 V d.c. (IEC), 100 to 400 A

Specifications

Description

Traction bolted tags square body high speed fuse links for superior protection of DC third rail applications up to 2400 V d.c..

Technical data

Rated voltage: 2400 V d.c. (IEC)

Rated current: 100-400 A

Tested breaking capacity:

- 100 kA at 2400 V d.c., L/R < 15ms
- 100 kA at 2000 V d.c., L/R < 45ms

Operating class: aR

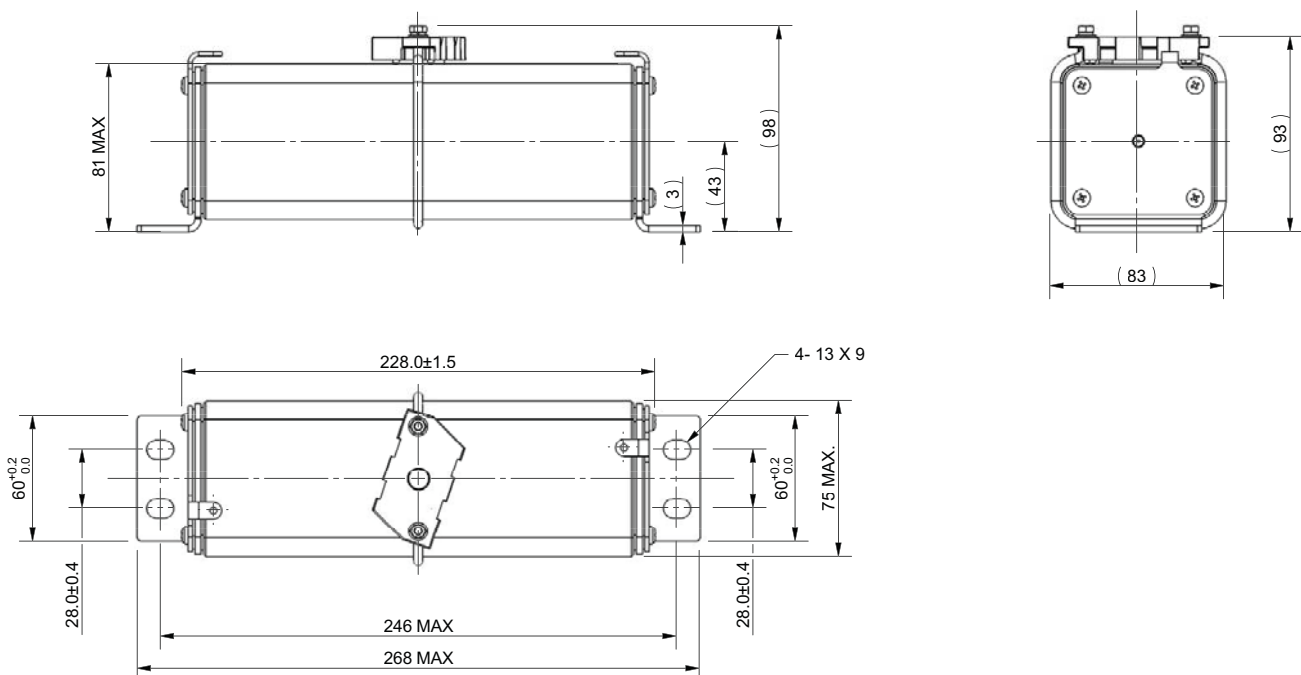
Standards / Agency information

Tested in line with IEC 60269.



Fuse link type	Fuse link body size	Rated voltage	Rated current (Amps)	I ² t (A ² Sec)		Watts loss (W)		Catalogue numbers
				Pre-arcing	Total at 2000 V d.c.	0.8 I _n	I _n	
Double slot tag	3	2400 V d.c. (IEC)	100	5468	15,457	20	39	170M2090
			160	16,427	46,439	43	84	170M2091
			200	25,667	72,561	53	97	170M2092
			250	36,960	104,488	60	103	170M2093
			315	66,977	189,346	82	162	170M2094
			350	87,480	247,309	89	175	170M2095
			400	110,717	313,000	103	203	170M2096

Dimensions - mm



Size 1*, Square body fuse links, 170E

4000 V d.c. (IEC), 20 to 125A

Specifications

Description

Traction bolted tags square body high speed fuse link for superior protection in DC traction applications up to 4000 V d.c..

Technical data

Rated voltage: 4000 V d.c. (IEC)

Rated current: 20-125 A

Tested breaking capacity: 50 kA at 4000 V d.c., L/R 10ms

Operating class: aR

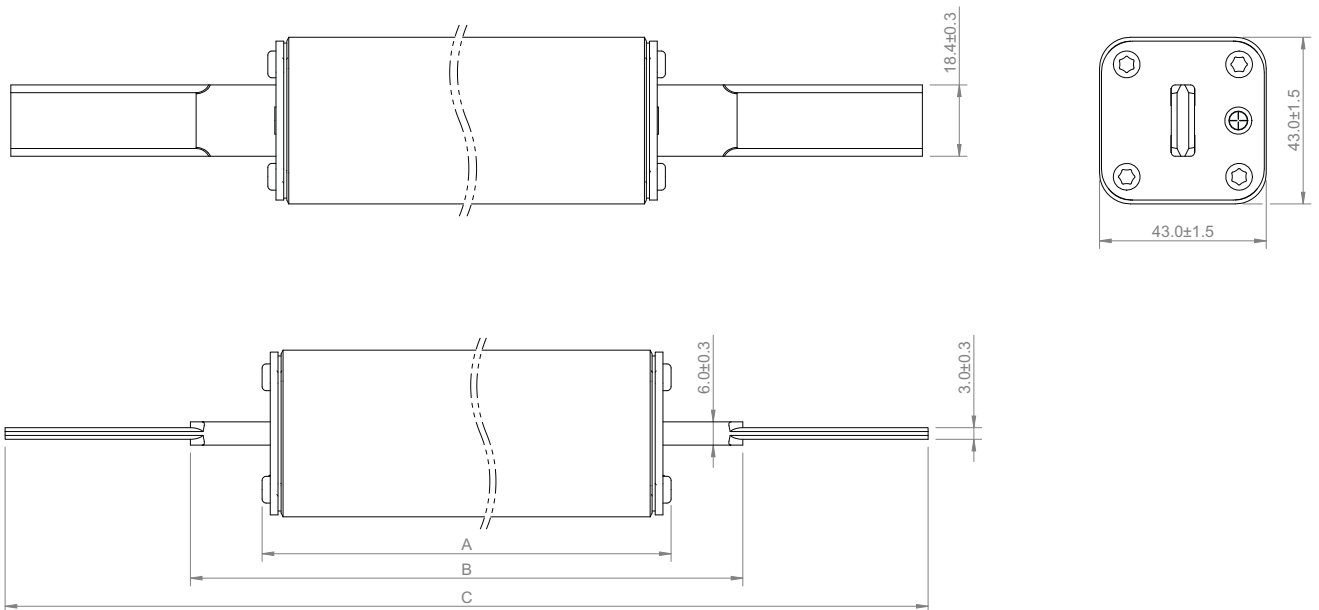
Standards / Agency information

Consult Eaton bulehighspeedtechnical@eaton.com.



Fuse link body size	Rated voltage	Rated current (Amps)	Watts loss (W)	Catalogue numbers
1*	4000 V d.c. (IEC)	20	23	170E3924
		25	28	170E3925
		32	34	170E3926
		40	45	170E3927
		50	57	170E3928
		63	72	170E3929
		80	91	170E3930
		100	114	170E3931
		125	143	170E3932

Dimensions - mm



Size 1*, 2 and 2//2, Square body fuse links, 170E

4000 V d.c. (IEC), 20 to 450 A

Specifications

Description

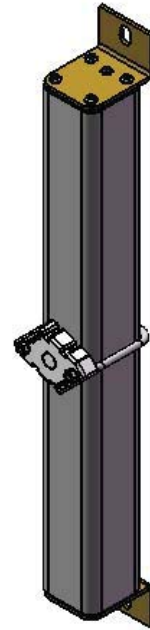
Traction bolted tags square body high speed fuse link for superior protection in DC traction applications up to 4000 V d.c..

Technical data

Rated voltage: 4000 V d.c. (IEC)
Rated current: 20-450 A
Breaking capacity: 60 kA at 4000 V d.c., L/R 25ms
Operating class: aR

Standards / Agency information

Contact Eaton bulehighspeedtechnical@eaton.com

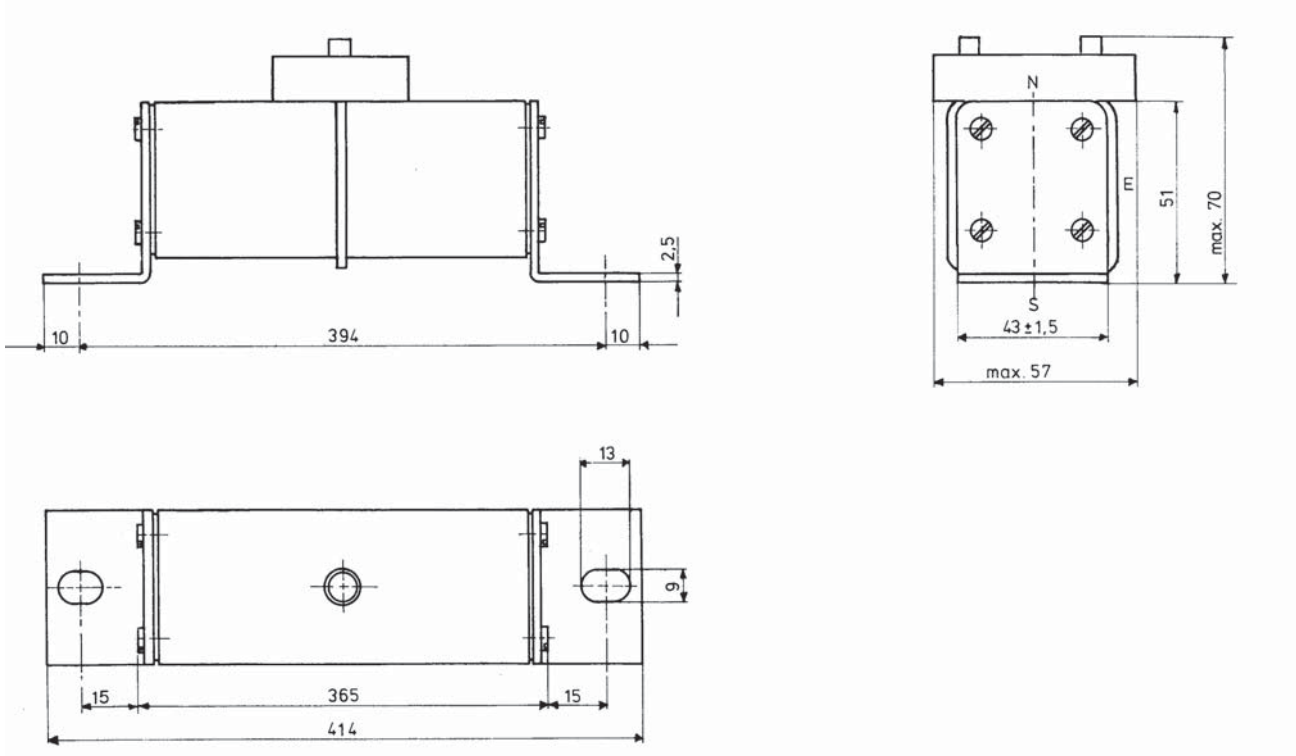


Fuse link body size	Rated voltage	Rated current (Amps)	Watts loss (W)	Catalogue numbers
1*	4000 V d.c. (IEC)	20	23	170E3914
		25	28	170E3915
		32	34	170E3916
		40	45	170E3917
		50	57	170E3918
		63	72	170E3919
		80	91	170E3984
		100	114	170E3933
		125	143	170E3922
2	4000 V d.c. (IEC)	160	182	170E8882
		200	228	170E8883
		250	285	170E8884
2//2	4000 V d.c. (IEC)	315	360	170E8885
		350	400	170E8886
		400	455	170E8887
		450	515	170E8888

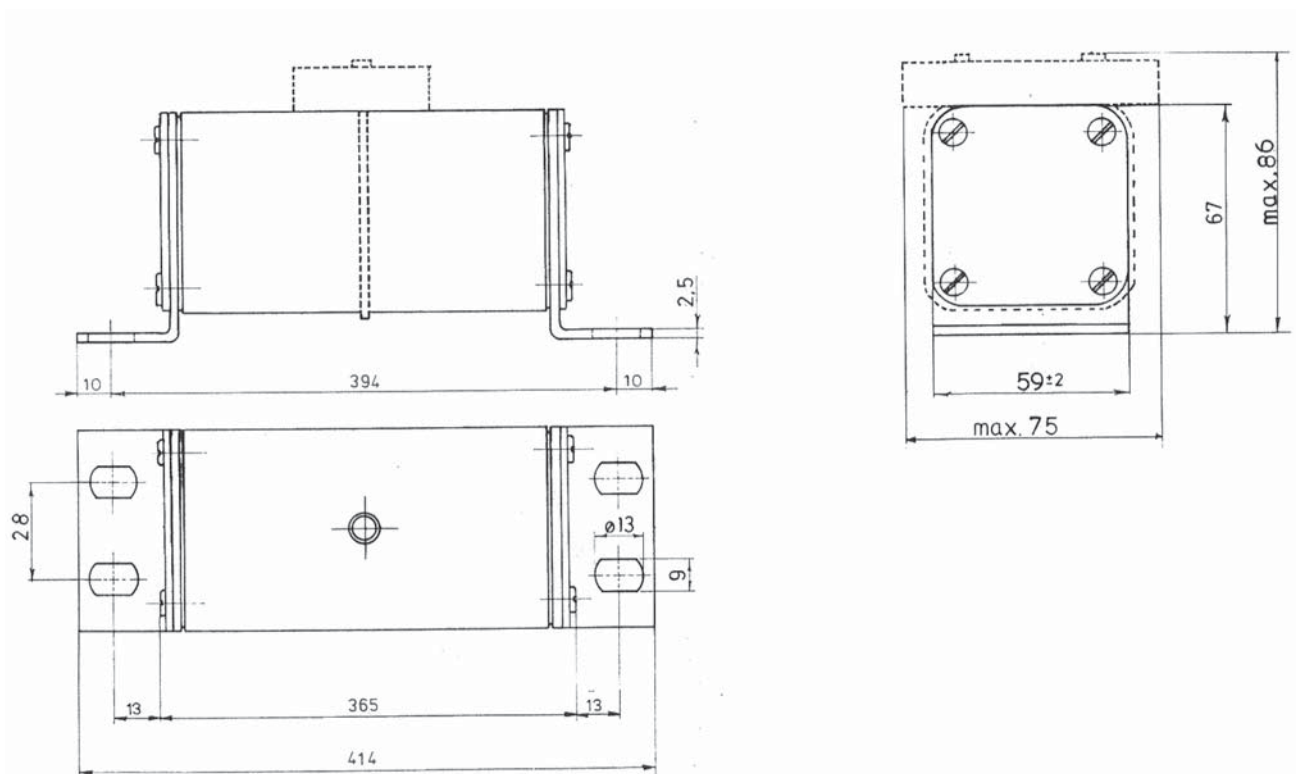
Data sheets: 1* 170K6600, 2 & 2/2 170K6604

Size 1*, 2 and 2//2, Square body fuse links, 170E
 4000 V d.c. (IEC), 20 to 450 A

Dimensions - mm



Type 1*SKN/394

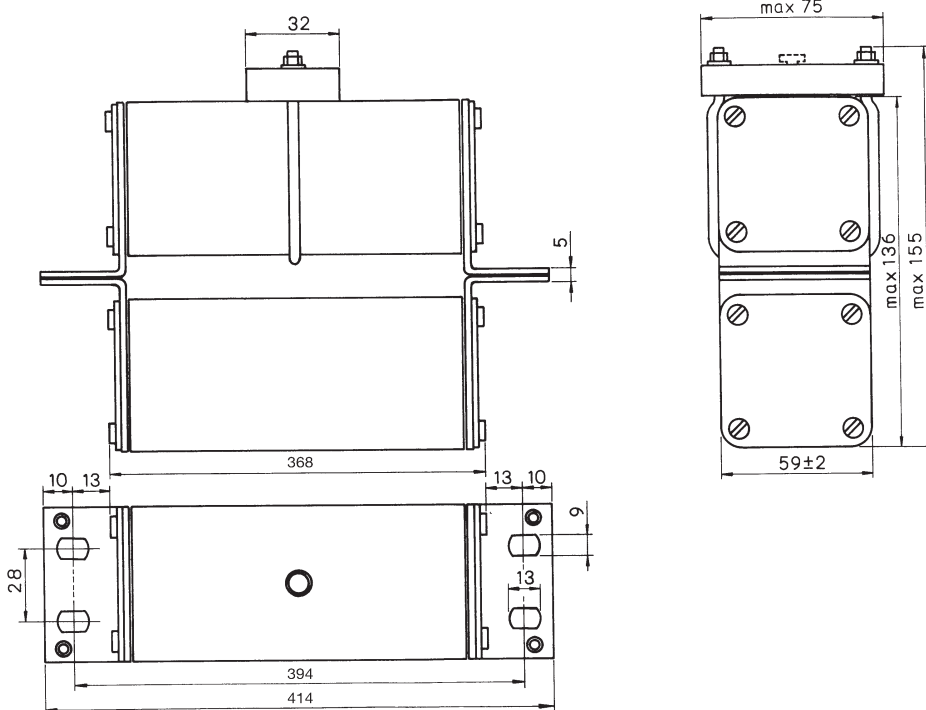


Type 2SKN/394

Data sheets: 1* 170K6600, 2 & 2/2 170K6604

Size 1*, 2 and 2//2, Square body fuse links, 170E
4000 V d.c. (IEC), 20 to 450 A

Dimensions - mm



Type 2//SKN/394

20 x 127 and 25 x 146 mm, Ferrule fuse links, FWK

750 V d.c. (IEC), 5 to 60 A

Specifications

Description

Ferrule high speed fuse links for light rail applications in auxiliary power and distribution equipment.

Technical data

Rated voltage: 750 V d.c. (IEC)

Rated current:

- 5-30 A (20 x 127 mm)
- 35-60 A (25 x 146 mm)

Breaking capacity: 50 kA at 750 V d.c., L/R 10-15ms

Operating class: gG

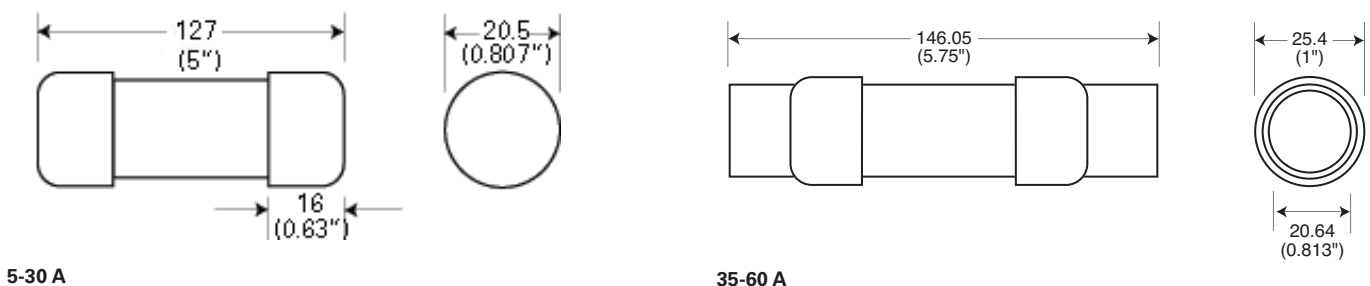
Standards / Agency information

Tested in line with IEC 60269.



Fuse link size	Rated voltage	Rated current (Amps)	I ² t (A ² Sec)		Watts loss (W)	Catalogue numbers
			Pre-arcing	Clearing at 750 V d.c.		
20 x 127 mm (13/16" x 5")	750 V d.c. (IEC)	5	8.5	16	6.7	FWK-5A20F
		8	50	100	8.8	FWK-8A20F
		10	95	200	8.5	FWK-10A20F
		15	100	240	5	FWK-15A20F
		20	125	315	7.8	FWK-20A20F
		25	400	1100	6.5	FWK-25A20F
		30	800	2600	6.5	FWK-30A20F
25 x 146 mm (1" x 5 3/4")	750 V d.c. (IEC)	35	1300	4300	6	FWK-35A25F
		40	1600	5300	6.8	FWK-40A25F
		50	3100	12000	7.3	FWK-50A25F
		60	5900	24000	7.7	FWK-60A25F

Dimensions - mm (in)



Ferrule fuse links, LRC750

750 V d.c. (IEC), 30 to 50 A

Specifications

Description

Ferrule high speed fuse links for light rail applications in auxiliary power and distribution equipment. Also suitable for heavy rails applications in instrumentation and control circuits equipment.

Technical data

Rated voltage:	750 V d.c. (IEC)
Rated current:	30-50 A
Breaking capacity:	50 kA at 750 V d.c., L/R 15-20ms
Operating class:	gR

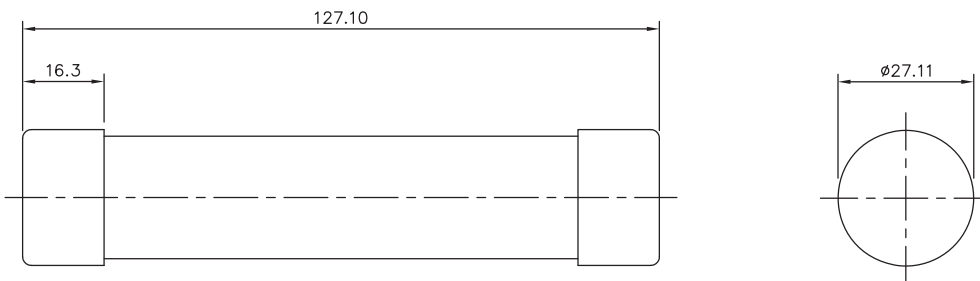
Standards / Agency information

Tested in line with IEC 60269.



Fuse link type	Rated voltage	Rated current (Amps)	I ² t (A ² Sec)		Watts loss (W)	Catalogue numbers
			Pre-arcing	Clearing at 750 V d.c.		
LRC750	750 V d.c. (IEC)	30	700	2250	4.5	30LRC750
		40	1800	5300	5.8	40LRC750
		50	3100	12000	9.4	50LRC750

Dimensions - mm



20 x 127 mm, Ferrule fuse links, FWL and FWS

1200-1400-2000 V a.c. (IEC), 1000 V d.c. (IEC), 2 to 30 A

Specifications

Description

Ferrule high speed fuse links for light rail applications in auxiliary power and distribution equipment.

Technical data

Rated voltage:

- FWL: 1200 V a.c. (IEC) / 1000 V d.c.
- FWS: 2000 V a.c. / 1000 V d.c. (IEC, 2-8A)
1400 V a.c. / 1000 V d.c. (IEC, 10-15A)

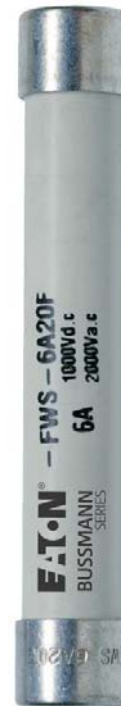
Rated current: 2-30 A

Breaking capacity: 50 kA at 1000 V d.c., L/R 15ms

Operating class: gG

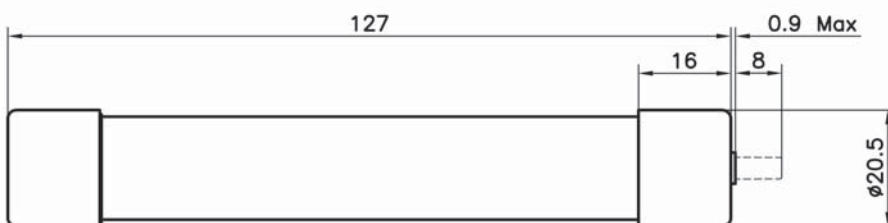
Standards / Agency information

Consult Eaton bulehighspeedtechnical@eaton.com.



Fuse link size	Rated voltage	Rated current (Amps)	I ² t (A ² Sec)		Watts loss (W)	Catalogue numbers	
			Pre-arcing	Clearing at 1000 V d.c.		Without indicator	With indicator
20 x 127 mm (13/16" x 5)	2000 V a.c./ 1000 V d.c. (IEC)	2	0.8	2.4	4.4	FWS-2A20F	FWS-2A20FI
		6	27	81	6.7	FWS-6A20F	FWS-6A20FI
		8	64	192	7.6	FWS-8A20F	FWS-8A20FI
	1400 V a.c./ 1000 V d.c. (IEC)	10	118	277	3.0	FWS-10A20F	FWS-10A20FI
		12	170	380	3.4	FWS-12A20F	FWS-12A20FI
		15	209	500	5.0	FWS-15A20F	FWS-15A20FI
20 x 127 mm (13/16" x 5)	1200 V a.c./ 1000 V d.c. (IEC)	20	675	1550	5.9	FWL-20A20F	FWL-20A20FI
		25	1200	2760	6.5	FWL-25A20F	FWL-25A20FI
		30	1850	4300	7.5	FWL-30A20F	FWL-30A20FI

Dimensions - mm



Round body fuse links, KC36

750 V d.c. (IEC), 5 to 60 A

Specifications

Description

Ferrule high speed fuse links for light rail applications in auxiliary power and distribution equipment. Also suitable for heavy rails applications in instrumentation and control circuits equipment.

Technical data

Rated voltage:	750 V d.c. (IEC)
Rated current:	5-60 A
Breaking capacity:	50 kA at 750 V d.c., L/R 15-20ms
Operating class:	gG

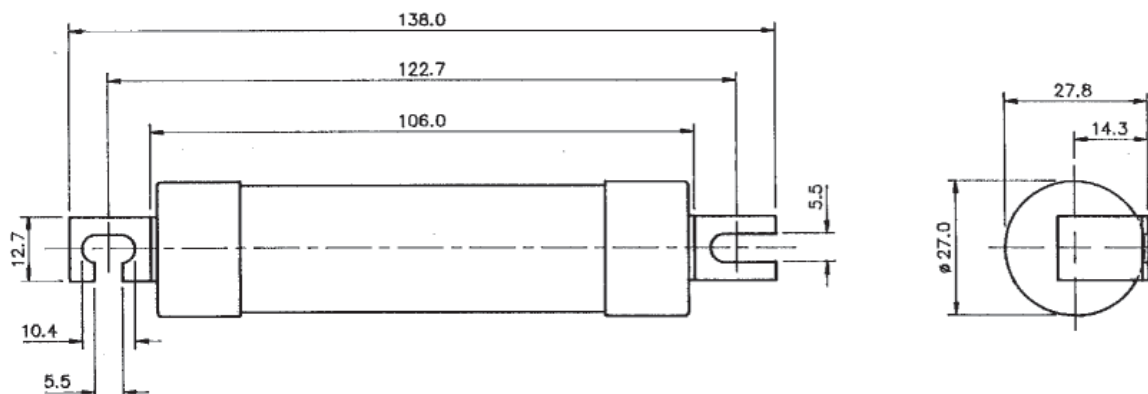
Standards / Agency information

Tested in line with IEC 60269.



Fuse link type	Rated voltage	Rated current (Amps)	I ² t (A ² Sec)		Watts loss (W)	Catalogue numbers
			Pre-arcing	Clearing at 750 V d.c.		
KC36	750 V d.c. (IEC)	5	8.5	16	6.7	5KC36
		8	50	100	8.8	8KC36
		10	95	200	8.5	10KC36
		15	100	240	5	15KC36
		20	125	315	7.8	20KC36
		25	400	1100	6.5	25KC36
		30	800	2600	6.5	30KC36
		35	1300	4300	6	35KC36
		40	1600	5300	6.8	40KC36
		50	3100	12,000	7.3	50KC36
		60	5900	24,000	7.7	60KC36

Dimensions - mm



Round body fuse links, RC

750 V d.c. (IEC), 200 to 400 A

Specifications

Description

Round bodied bolted tags high speed traction fuse links which provides protection for DC traction third rail applications.

Technical data

Rated voltage: 750 V d.c. (IEC)

Rated current: 200-400 A

Breaking capacity: Consult Eaton
bulehighspeedtechnical@eaton.com

Operating class: gG

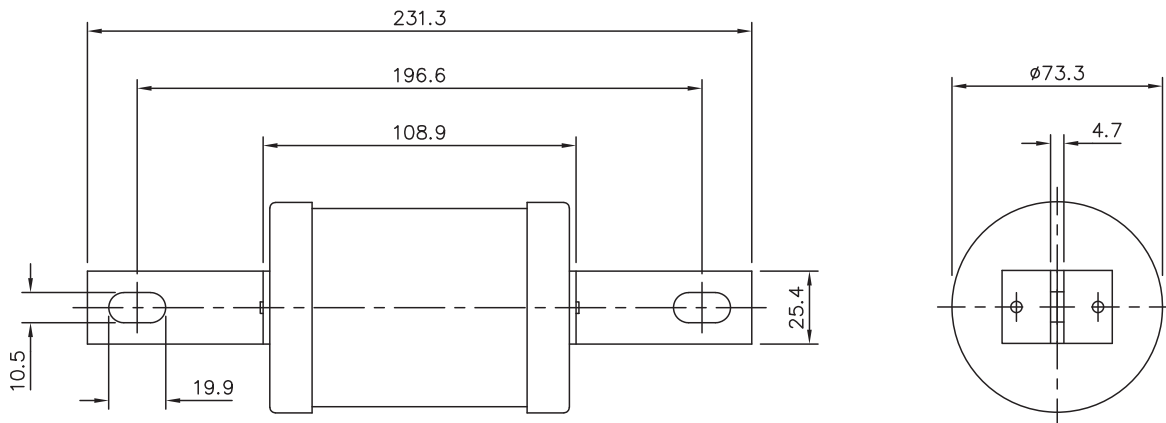
Standards / Agency information

Consult Eaton bulehighspeedtechnical@eaton.com.



Rated voltage	Rated current (Amps)	I ² t (A ² s)	Watts loss (W)	Catalogue numbers
750 V d.c. (IEC)	200	85,000	31	200RC
	250	225,000	33	250RC
	300	340,000	37	300RC
	350	530,000	41	350RC
	400	756,000	48	400RC

Dimensions - mm



Round body fuse links, SF

900 V d.c. (IEC), 160 to 1000 A

Specifications

Description

Round bodied flush end high speed traction fuse links which provides protection for DC traction third rail applications.

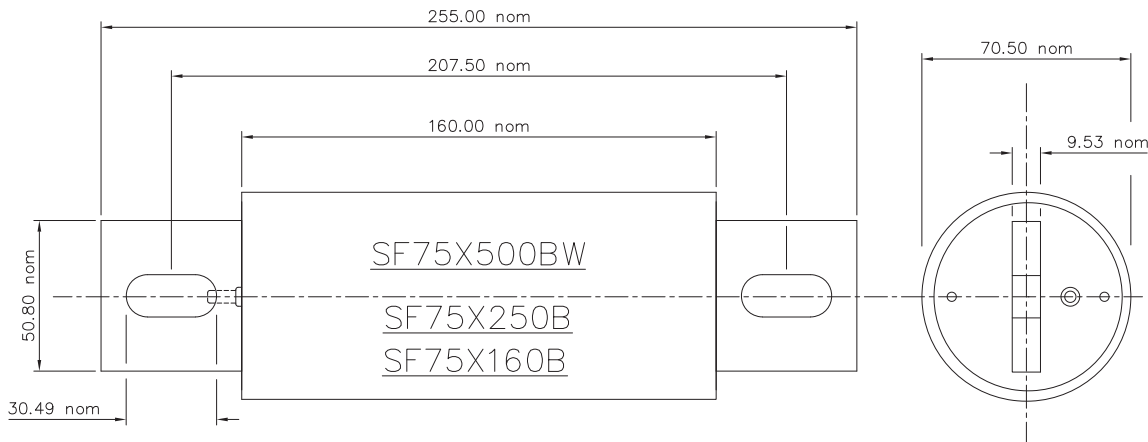
Technical data

Rated voltage:	900 V d.c. (IEC)
Rated current:	160-1000 A
Breaking capacity:	80 kA at 900 V d.c., L/R 80ms ¹
Operating class:	aR (600 to 1000 A)/gR (160 to 320 A)



Rated voltage	Rated current (Amps)	I ² t (A ² s)	Total at 900 V d.c.	Catalogue numbers	
				Blade contact	Flush end contact
900 V d.c.(IEC)	160	23,000	205,000	SF75X160B	-
	250	54,000	90,000	SF75X250B	-
	500	150,000	570,000	SF75X500BW	-
	600	585,000	4,000,000	SF75X600BW	-
	800	1,400,000	9,000,000	SF75X800BW	SF75X800BB
	1000	-	-	SF100X1000	SF100X1000HP

Dimensions - mm



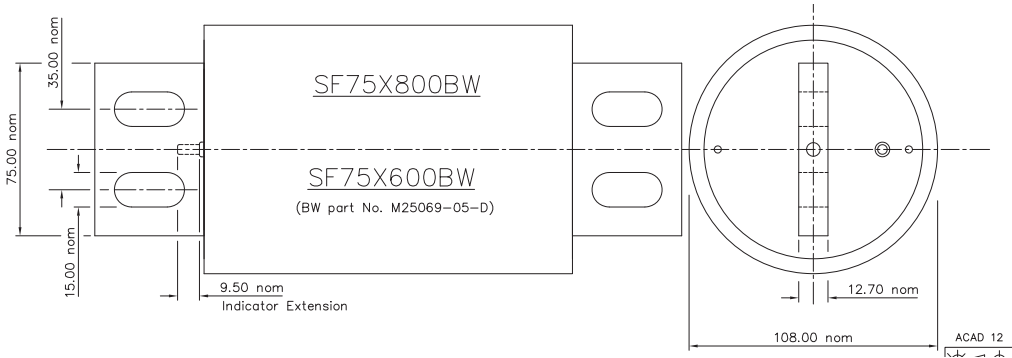
Blade contact: SF75X160B, SF75X250B, SF75X500B

¹ Consult Eaton for full details bulehighspeedtechnical@eaton.com.

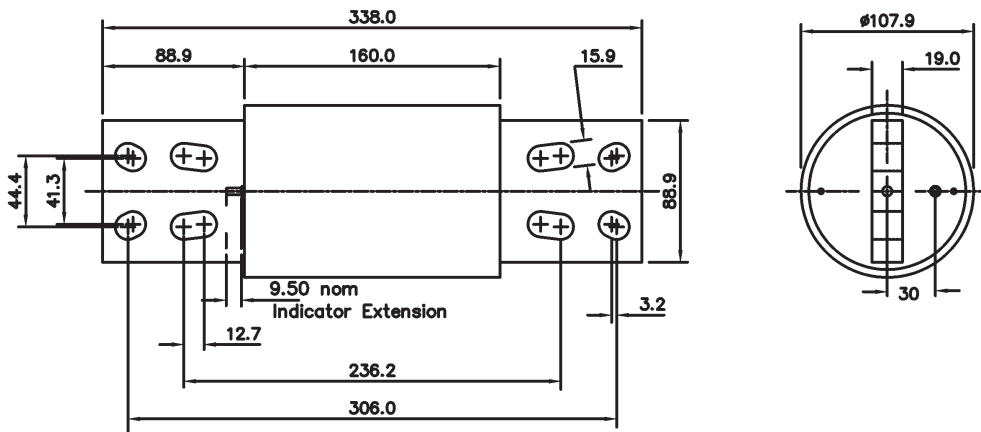
Round body fuse links, SF

900 V d.c. (IEC), 160 to 1000 A

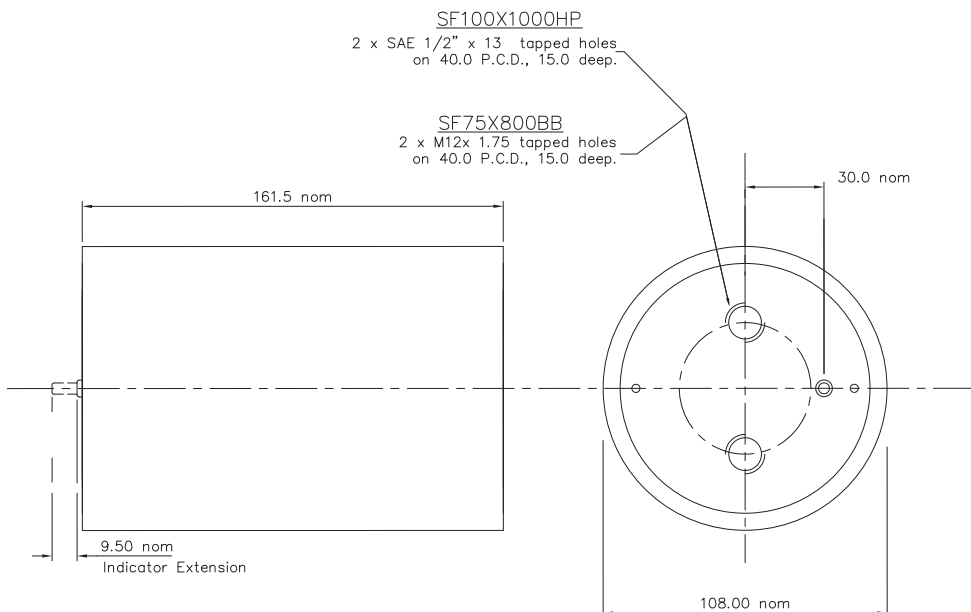
Dimensions - mm



Blade contact: SF75X600BW and SF75X800BW



Blade contact: SF100X1000



Flush end: SF75X800BB and SF100X1000HP

Data sheets: 5785227, 5779017

Round body fuse links, NBC

1500 V d.c. (IEC), 25 to 200 A

Specifications

Description

A range of round body bolted tags high speed fuse links for heavy rail applications such as auxiliary and distribution equipment.

Technical data

Rated voltage: 1500 V d.c. (IEC)

Rated current: 25-200 A

Breaking capacity: Consult Eaton for interrupting rating and time constant capabilities.

Operating class: gR

Standards / Agency information

Consult Eaton bulehighspeedtechnical@eaton.com.



Fuse link type	Rated voltage	Rated current (Amps)	Catalogue numbers
NBC	1500 V d.c. (IEC)	25	NBC-25
		60	NBC-60
		70	NBC-70
		100	NBC-100
		150	NBC-150
		200	NBC-200

Dimensions - mm

Consult Eaton bulehighspeedtechnical@eaton.com.

Photovoltaic fuse links

10 x 38 mm, PVM

600 V d.c. (UL), 4 to 30 A

Specifications

Description

A range of UL 2579 fast-acting 600 V d.c. midget fuse links specifically designed to protect solar power systems in extreme ambient temperature, high cycling and low level fault Rated current conditions (reverse rated current, multi-array fault).

Technical data

Rated voltage: 600 V d.c. to UL 2579

Rated current: 4-30 A

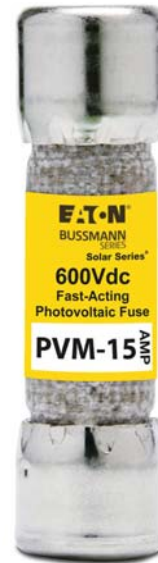
Breaking capacity: 50 kA DC (4-30 A)

Compatible fuse holder

CHPV see page 112

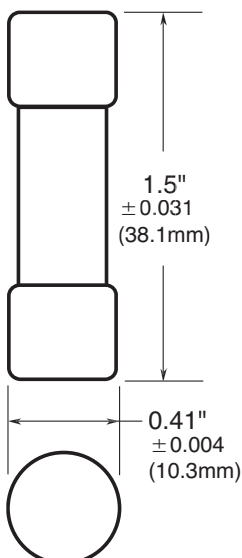
Standards / Agency information

UL Listed 2579, Guide JFGA, File E335324, CSA Component Certified C22.2.



Rated voltage	Rated current (Amps)	Power Loss (W)		Catalogue numbers
		0.8 x I _n	1 x I _n	
600 V d.c. (UL)	4			PVM-4
	5			PVM-5
	6			PVM-6
	7			PVM-7
	8			PVM-8
	9			PVM-9
	10	1	1.9	PVM-10
	12			PVM-12
	15	1	1.7	PVM-15
	20			PVM-20
	25			PVM-25
	30	1.6	2.9	PVM-30

Dimensions - in (mm)



Data sheet: 2153

10 x 38 mm, PV-10F

1000 V d.c. (IEC/UL), 1 to 25 A

Specifications

Description

A range of fuse links in a 10 x 38 mm package specifically designed for the protection and isolation of photovoltaic strings. The fuse links are capable of interrupting low overRated currents associated with faulted PV (reverse rated current, multi-array fault) string arrays.

Technical data

Rated voltage:	1000 V d.c. (IEC/UL)
Rated current:	1-25 A
Breaking capacity:	50 kA
Operating class:	gPV and UL PV fuse links



Compatible fuse holder

CHPV see page 112

Standards / Agency information

IEC 60269-6, UL Recognised 2579 (File number E335324), CSA, CCC (1-15A), RoHS compliant.

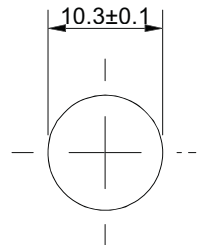
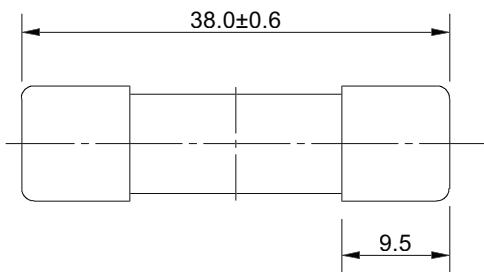
Rated voltage	Rated current (Amps)	I ² t (A ² Sec)		Watts loss (W)		Catalogue numbers			
		Pre-arcing	Total at 1000 V d.c.	0.8 I _n	I _n	Cylindrical	Bolt fixing	PCB fixing single pin	PCB fixing double pin
1000 V d.c. (UL/IEC)	1	0.15	0.4	0.8	1.5	PV-1A10F	PV-1A10-T	PV-1A10-1P	PV-1A10-2P
	2	1.2	3.4	0.6	1.0	PV-2A10F	PV-2A10-T	PV-2A10-1P	PV-2A10-2P
	3	4	11	0.8	1.3	PV-3A10F	PV-3A10-T	PV-3A10-1P	PV-3A10-2P
	3.5	6.6	18	0.9	1.4	PV-3-5A10F	PV-3-5A10-T	PV-3-5A10-1P	PV-3-5A10-2P
	4	9.5	26	1.0	1.5	PV-4A10F	PV-4A10-T	PV-4A10-1P	PV-4A10-2P
	5	19	50	1.0	1.6	PV-5A10F	PV-5A10-T	PV-5A10-1P	PV-5A10-2P
	6	30	90	1.1	1.8	PV-6A10F	PV-6A10-T	PV-6A10-1P	PV-6A10-2P
	8	3	32	1.2	2.1	PV-8A10F	PV-8A10-T	PV-8A10-1P	PV-8A10-2P
	10	7	70	1.2	2.3	PV-10A10F	PV-10A10-T	PV-10A10-1P	PV-10A10-2P
	12	12	120	1.5	2.7	PV-12A10F	PV-12A10-T	PV-12A10-1P	PV-12A10-2P
	15	22	220	1.7	2.9	PV-15A10F	PV-15A10-T	PV-15A10-1P	PV-15A10-2P
	20	34	350	2.1	3.6	PV-20A10F	PV-20A10-T	PV-20A10-1P	PV-20A10-2P

* Total I²t at 20kA IR

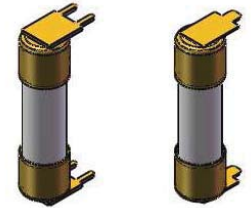
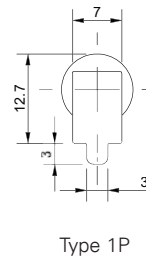
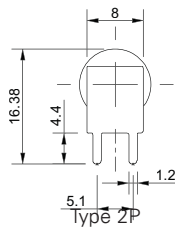
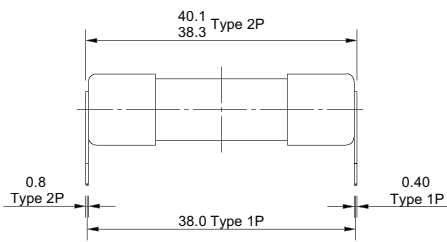
10 x 38 mm, PV-10F

1000 V d.c. (IEC/UL), 1 to 20 A

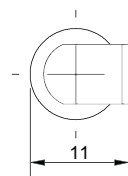
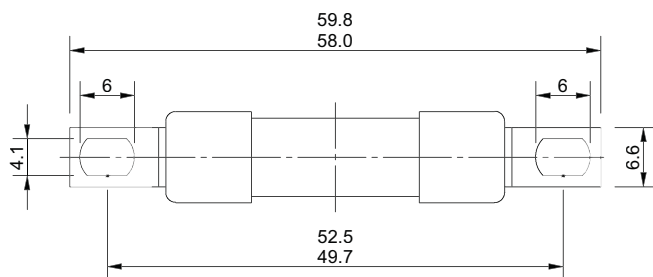
Dimensions - mm



Cylindrical PV-**A10F



PCB Fixing PV-**A10-1P



Bolt Fixing PV-**A10-T

10 x 38 mm, CHPV Modular fuse holders

1000 V d.c. (IEC/UL), 32 A (IEC), 30 A (UL)

Specifications

Description

Compact DIN-Rail mounting fuse holders specifically designed for 10 x 38 mm photovoltaic fuse links.

Technical data

See details below

Standards / Agency information

See details below



Catalogue number	Number of poles	Description
Fuse holder only		
CHPV1U	1	1-pole modular fuse holder
CHPV2U	2	2-pole modular fuse holder holder
Fuse holder with neon indicator		
CHPV1IU	1	1-pole modular fuse holder with neon indicator
CHPV2IU	2	2-pole modular fuse holder with neon indicator

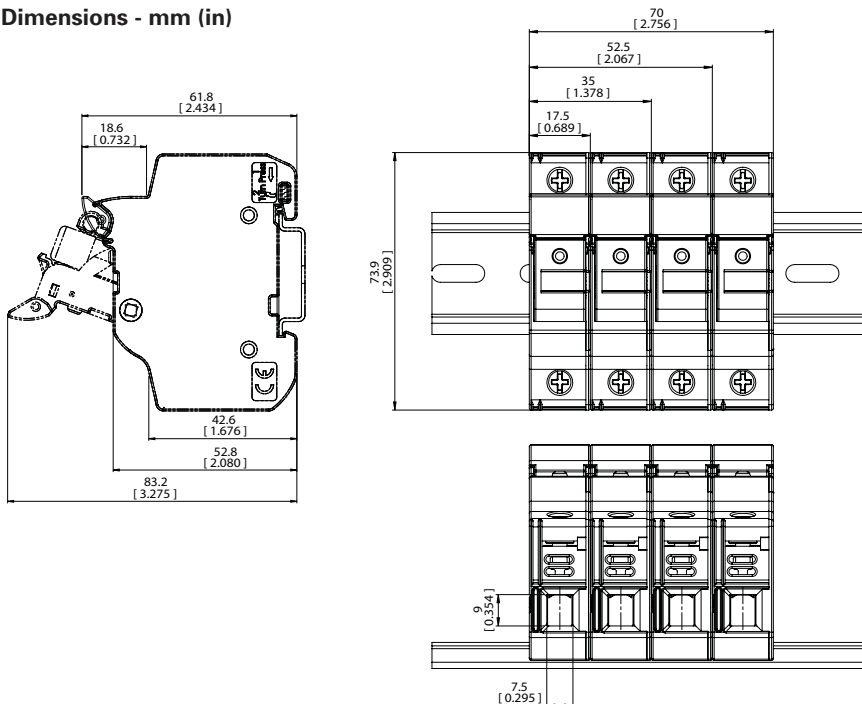
Technical data

Rated voltage		Rated current		Terminal rating	Rated breaking withstand capacity	Compatible Bussmann series fuse links
IEC	UL	IEC	UL			
1000 V d.c.	1000 V d.c.	32 A	30 A	IEC 1 to 25 mm ² 70°C PVC Copper cable (solid stranded or fine stranded) Spade lug Comb bus bar	33 kA rms sym	Solar PV range: PVM, PV-A10F

Standards / Agency information

IEC	UL	CSA	CCC	CE
IEC 60269-1	UL 4248-1 UL4248-19 UL file E14853	C22.2 No 4248.1 C22.2 No 4248.19	GB 13539.1	DCB 272

Dimensions - mm (in)



14 x 51 mm, PV-14F

1000 and 1100 V d.c. (IEC/UL), 15 to 32 A

Specifications

Description

A range of fuse links in a 14 x 51 mm package specifically designed for the protection and isolation of photovoltaic strings. The fuse links are capable of interrupting low overrated currents associated with faulted PV (reverse rated current, multi-array fault).

Technical data

Rated voltage:

- 1100 V d.c. (IEC and UL, 15 and 20 A)
- 1000 V d.c. (IEC and UL, 25 and 32 A)

Rated current: 15-32 A

Breaking capacity: 30 kA

Operating class: gPV and UL PV fuse links



Compatible fuse holder

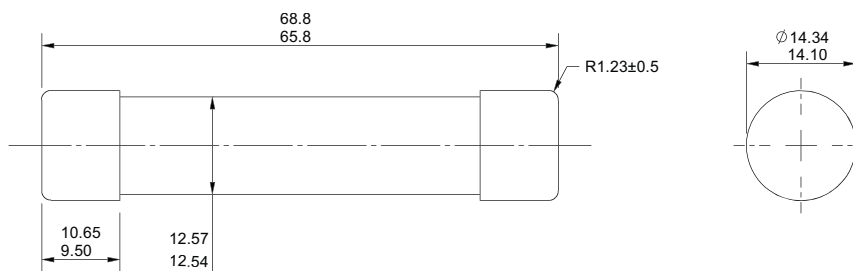
CHPV14 see page 114

Standards / Agency information

IEC 60269-6, UL Recognised 2579 (File number E335324), RoHS compliant. Pending: CCC.

Rated voltage	Rated current (Amps)	I ² t (A ² Sec)		Watts loss (W)		Catalogue numbers
		Pre-arcing	Total at rated voltage	0.8 I _n	I _n	
1100 V d.c. (IEC/UL)	15	14	270	2.1	4	PV-15A14F
	20	27	570	2.9	5.5	PV-20A14F
1000 V d.c. (IEC/UL)	25	65	950	2.8	5.3	PV-25A14F
	32	120	1750	4	7.5	PV-32A14F

Dimensions - in (mm)



14 x 51 mm, CHPV14 Modular fuse holders

1500 V d.c., 50 A

Specifications

Description

Compact DIN-Rail mounting fuse holders specifically designed for 14 x 51 mm photovoltaic fuse links.

Technical data

Rated voltage: 1500 V d.c. (IEC/UL)

Rated current: 50 A (IEC/UL)

Breaking capacity: 10 kA

Standards / Agency information

IEC 60269-1 and 2, UL Listed file number E348242

Catalogue numbers		
Without indicator	With indicator	Description
CHPV141U	CHPV141IU	1 pole
CHPV142U	CHPV142IU	2 pole

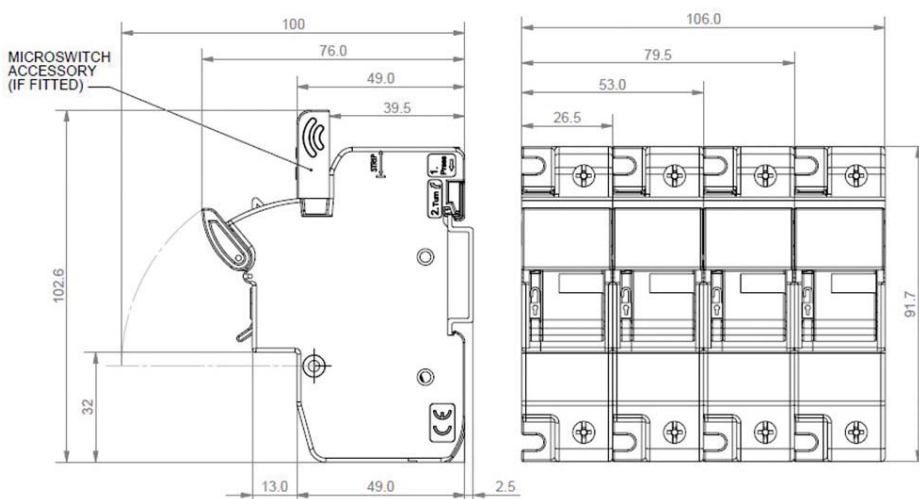
Technical data

Rated voltage		Rated current		Agency markings	Terminal rating	Rated breaking withstand capacity	Compatible Bussmann series fuse links
IEC	UL	IEC	UL				
50 A (a.c. and d.c.)	50 A	1500 V d.c.	1500 V d.c.	IEC 60269-1 and 2 UL Listed file number E348242	Cable size: 1.5-50 mm ² Recommended torque setting: 3.5 Nm Maximum torque setting: 3.5Nm Mounting 35 mm DIN-Rail or 2 x M4 panel mounting screws	10 kA d.c.	PV-A14F

Accessories

Catalogue numbers	Description	Unit packing
JV-L	Multi-pole connector kit. One kit will gang up to 4-poles together	12
CH14-CTP	IP20 Protection accessory, provides IP20 protection to terminals with 10mm ² or less cable	12

Dimensions - mm



Data sheet: 10080

14 x 65 mm, PV-14L

1300-1500 V d.c. (IEC and UL), 3.5 to 32 A

Specifications

Description

A range of fuse links in a 14 x 65 mm package specifically designed for the protection and isolation of photovoltaic strings. The fuse links are capable of interrupting low overrated currents associated with faulted PV (reverse rated current, multi-array fault).

Technical data

Rated voltage:

- 1500 V d.c. (IEC and UL, 15 and 20 A)
- 1300 V d.c. (IEC and UL, 25 and 32 A)

Rated current: 3.5, 15, 20, 25 and 32 A

Breaking capacity: 10 kA

Operating class: gPV and UL PV fuse links



Compatible fuse holder for PV-A14LF10F

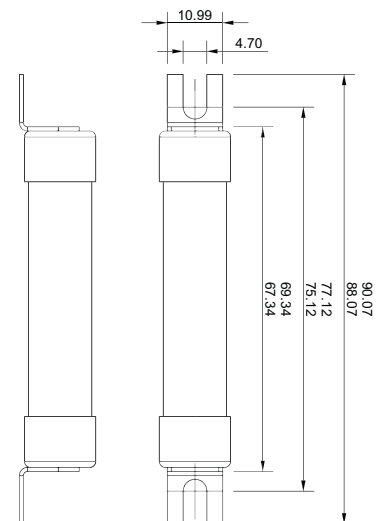
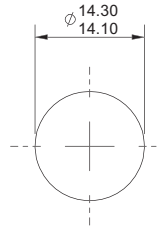
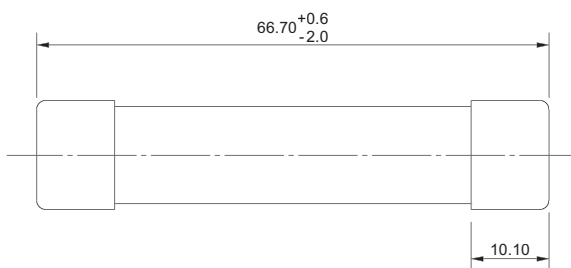
CHPV15V85 see page 116

Standards / Agency information

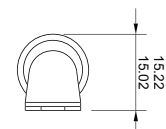
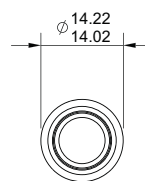
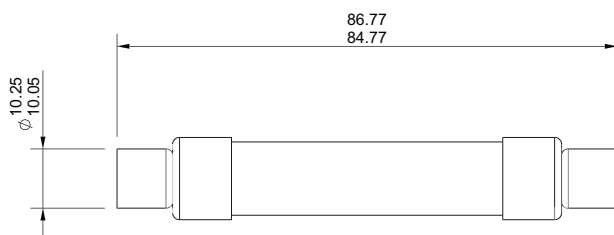
IEC 60269-6, UL Recognised 2579 (File number E335324), RoHS compliant, Pending: CCC.

Rated voltage	Rated current (Amps)	I ² t (A ² Sec)		Watts loss (W)		Catalogue numbers		
		Pre-arcing	Total at rated voltage	0.8 I _n	I _n	Cylindrical	Cylindrical with tags	Cylindrical with 10mm fixings
1500 V d.c. (IEC/UL)	3.5	7	26	1.8	3.3	PV-3.15A14LF	N/A	PV-3.15A14LF10F
	15	16	190	2.9	5.1	PV-15A14LF	PV-15A14L-T	PV-15A14LF10F
	20	34	400	3.8	6.9	PV-20A14LF	PV-20A14L-T	PV-20A14LF10F
1300 V d.c. (IEC/UL)	25	65	550	4.1	7.5	PV-25A14LF	PV-25A14L-T	PV-25A14LF10F
	32	105	900	5.7	10.4	PV-32A14LF	PV-32A14L-T	PV-32A14LF10F

Dimensions - mm



Cylindrical PV-(amp rating)A14LF



Cylindrical with 10mm Fixings PV-(amp rating)A14LF10F

Data sheet: 720139

Cylindrical with Tags PV-(amp rating)A14L-T

10 x 85 mm, CHPV15V85 fuse holder for 14 x 65 mm PV-A14LF10F fuse links 1000 and 1500 V d.c. (IEC/UL), 32 A (IEC)

Specifications

Description

Eaton's Bussmann series 10 x 85 mm fuse holders are suitable for use with 10 x 85 mm cylindrical gPV fuse links. The unique design offers high degree of safety. There is no possibility of any accidental contact with live parts during replacement of the fuse links. When the fuse carrier is extracted, a spring loaded cover moves out covering the live parts hence protecting against accidental damage.

Catalogue symbol

CHPV15V85

Compatible fuse links

10 x 85 mm fuse links - PV-A14LF10F see page 115

Technical data

Rated voltage:

- 1100 V a.c.
- 1500 V d.c.

Rated current:

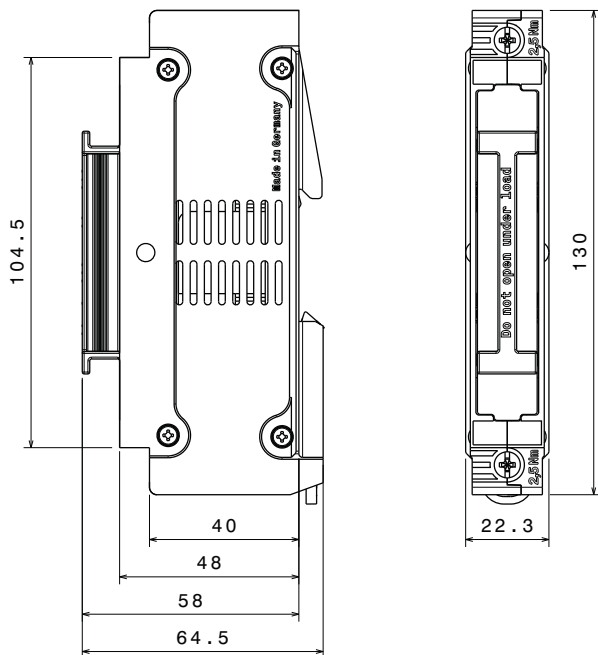
- 32 A (IEC)
- 30 A (UL)

Breaking capacity: 30 kA

Standards / Agency information

IIEC 60269-1 and UL 4248-19 Edition 1 (File number E14853)

Dimensions - mm



NH, PV-ANH

1000 V d.c. (IEC/UL), 32 to 400 A

Specifications

Description

A range of NH size bladed fuse links specifically designed for protecting and isolating photovoltaic array combiners and disconnects. These fuse links are capable of interrupting low overrated currents associated with faulted PV systems (reverse rated current, multi-array fault).

Technical data

Rated voltage:	1000 V d.c. (IEC and UL)
Rated current:	32-400 A
Breaking capacity:	50 kA
Operating class:	gPV and UL PV fuse links

Compatible fuse base

SD-D-PV see page 123

Standards / Agency information

IEC 60269-6, UL Recognised file 2579 E335324 for size 1 only, RoHS compliant



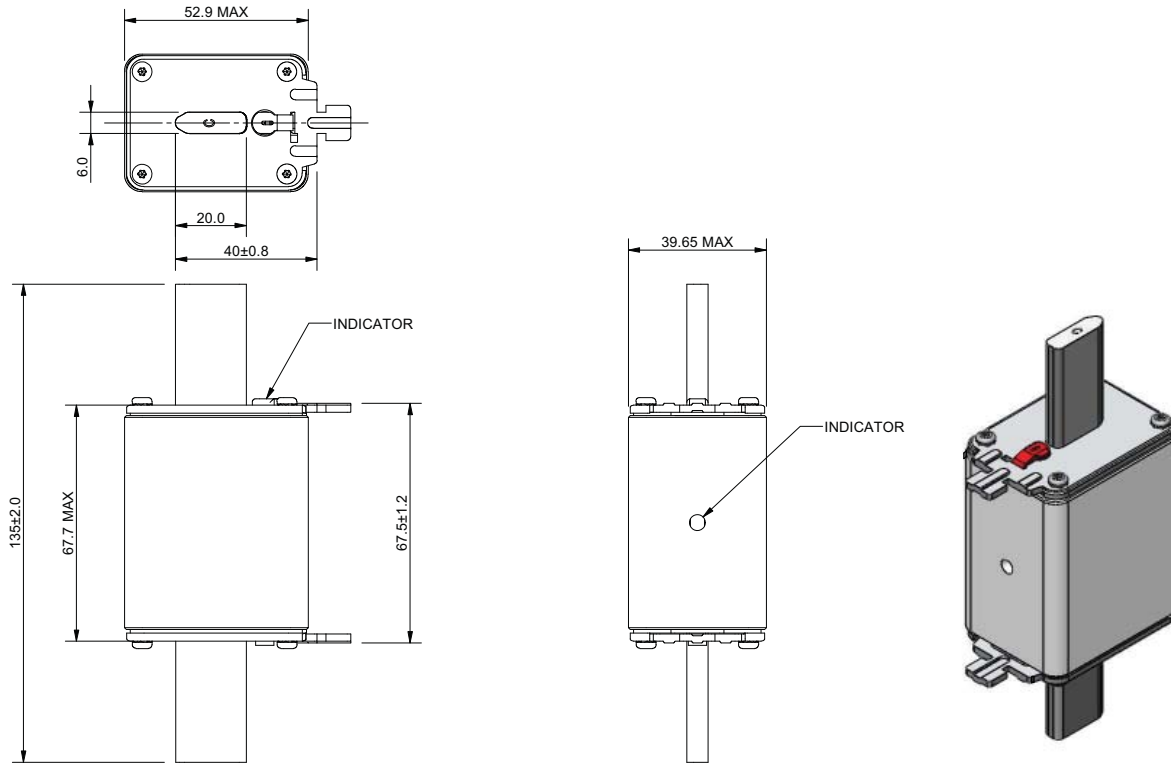
Fuse link body size	Rated voltage	Rated current (Amps)	I ² t (A ² Sec)		Watts loss (W)		Catalogue numbers				
			Pre-arcing	Total at 1000 V d.c.	0.8 I _n	I _n	Blade without bolt holes	Blade with bolt holes	Blade with bolt holes and lugs		
NH1	1000 V d.c. (IEC/UL)	32	80	720	4	8	PV-32ANH1				
		40	185	1670	5	9	PV-40ANH1				
		50	400	3600	6	11	PV-50ANH1				
		63	470	4300	6	12	PV-63ANH1				
		80	640	5760	8	15	PV-80ANH1				
		100	1300	11700	8	16	PV-100ANH1				
		110	2100	18900	9	18.5	PV-110ANH1				
		125	2600	23400	9	17	PV-125ANH1				
		160	5200	46800	14	27	PV-160ANH1				
		175	8300	74700	15	29	PV-175ANH1				
NH2	1000 V d.c. (IEC/UL)	200	10200	82000	13	25	PV-200ANH1				
		160	4600	37000	14	28	PV-160ANH2				
		200	9500	76000	16	32	PV-200ANH2				
NH3	1000 V d.c. (IEC/UL)	250	17000	136000	19	38	PV-250ANH2				
		300	32000	260000	24	40	PV-300ANH3				
		315	32000	260000	26	44	PV-315ANH3				
		350	44500	370000	27	45	PV-350ANH3				
		355	44500	370000	28	46	PV-355ANH3				
NH1	1000 V d.c. (IEC/UL)	400	67500	550000	30	50	PV-400ANH3				
		63	470	4300	6	12	PV-63ANH1-B	PV-63ANH1-BL			
		80	640	5760	8	15	PV-80ANH1-B	PV-80ANH1-BL			
		100	1300	11700	8	16	PV-100ANH1-B	PV-100ANH1-BL			
		125	2600	23400	9	17	PV-125ANH1-B	PV-125ANH1-BL			
		160	5200	46800	14	27	PV-160ANH1-B	PV-160ANH1-BL			
		200	10200	82000	13	25	PV-200ANH1-B	PV-200ANH1-BL			
		NH2	1000 V d.c. (IEC/UL)	160	4600	37000	14	28	PV-160ANH2-B	PV-160ANH2-BL	
				200	9500	76000	16	32	PV-200ANH2-B	PV-200ANH2-BL	
				250	17000	136000	19	38	PV-250ANH2-B	PV-250ANH2-BL	
NH3	1000 V d.c. (IEC/UL)	315	32000	260000	26	44	PV-315ANH3-B	PV-315ANH3-BL			
		355	38000	310000	29	48	PV-355ANH3-B	PV-355ANH3-BL			
		400	61000	490000	32	50	PV-400ANH3-B	PV-400ANH3-BL			

Data sheet: 720133

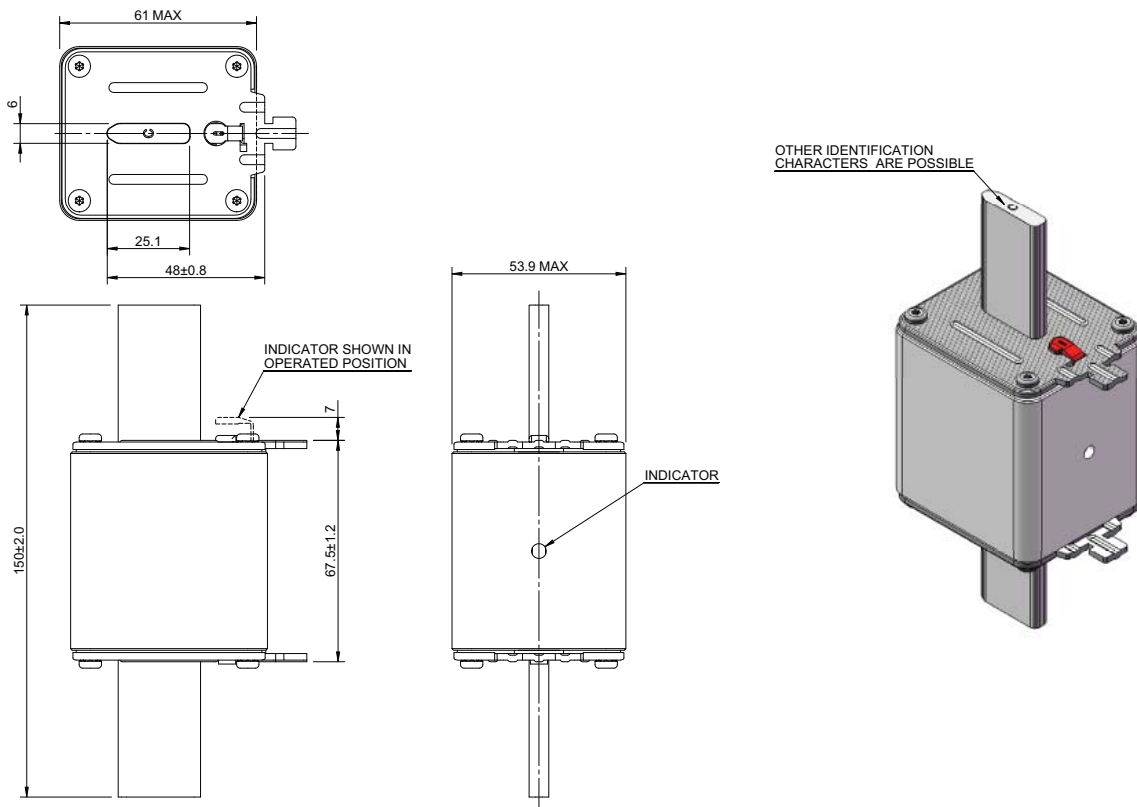
NH, PV-ANH

1000 V d.c. (IEC/UL), 32 to 400 A

Dimensions - Blade without bolt holes - mm



NH Size 1



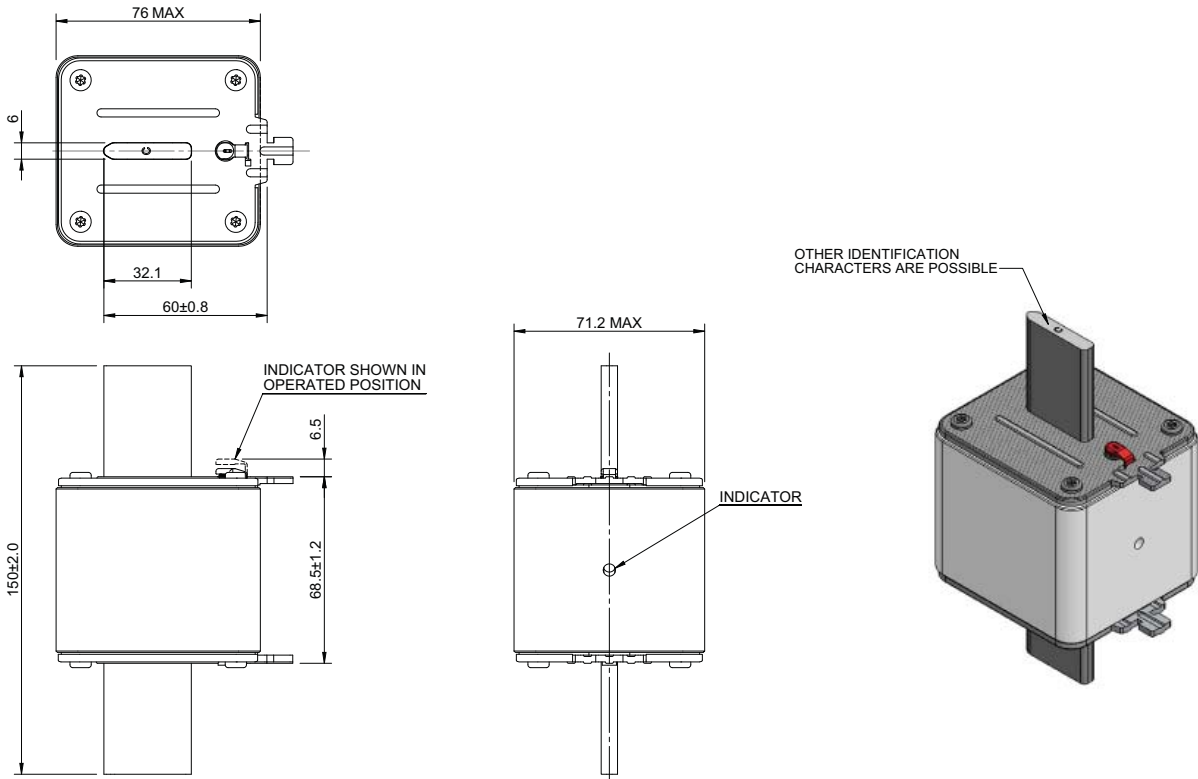
NH Size 2

Data sheet: 720133

NH, PV-ANH

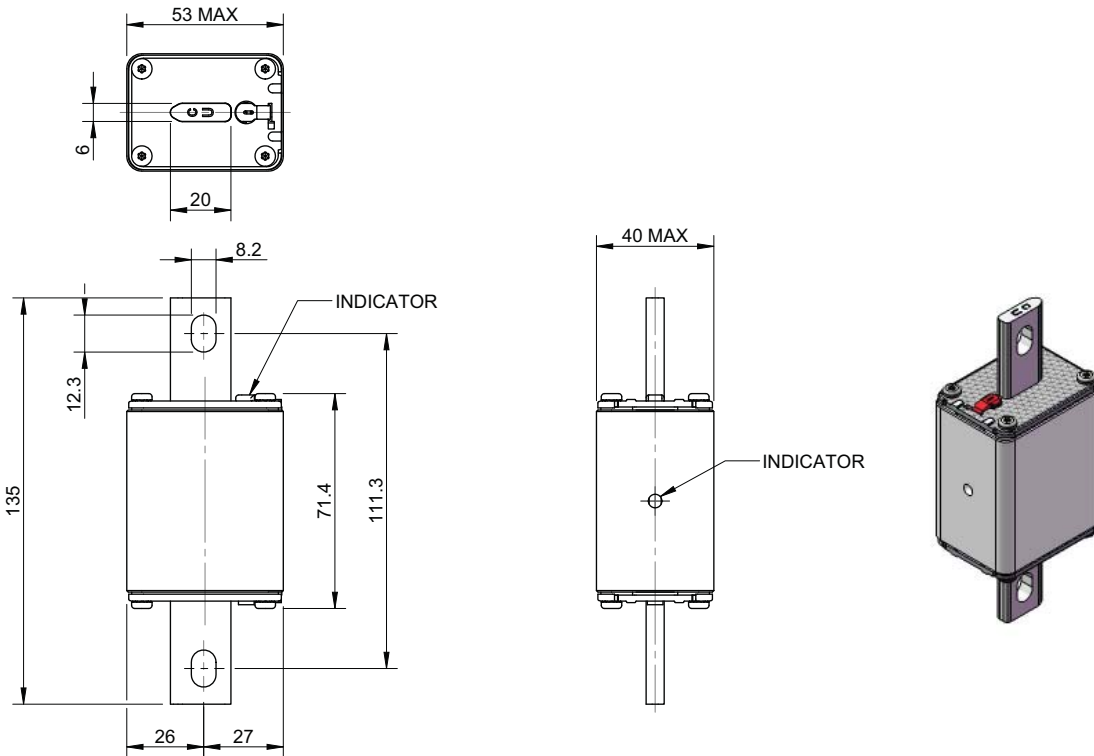
1000 V d.c. (IEC/UL), 32 to 400 A

Dimensions - Blade without bolt holes - mm



NH Size 3

Dimensions - Blade with bolt holes - mm



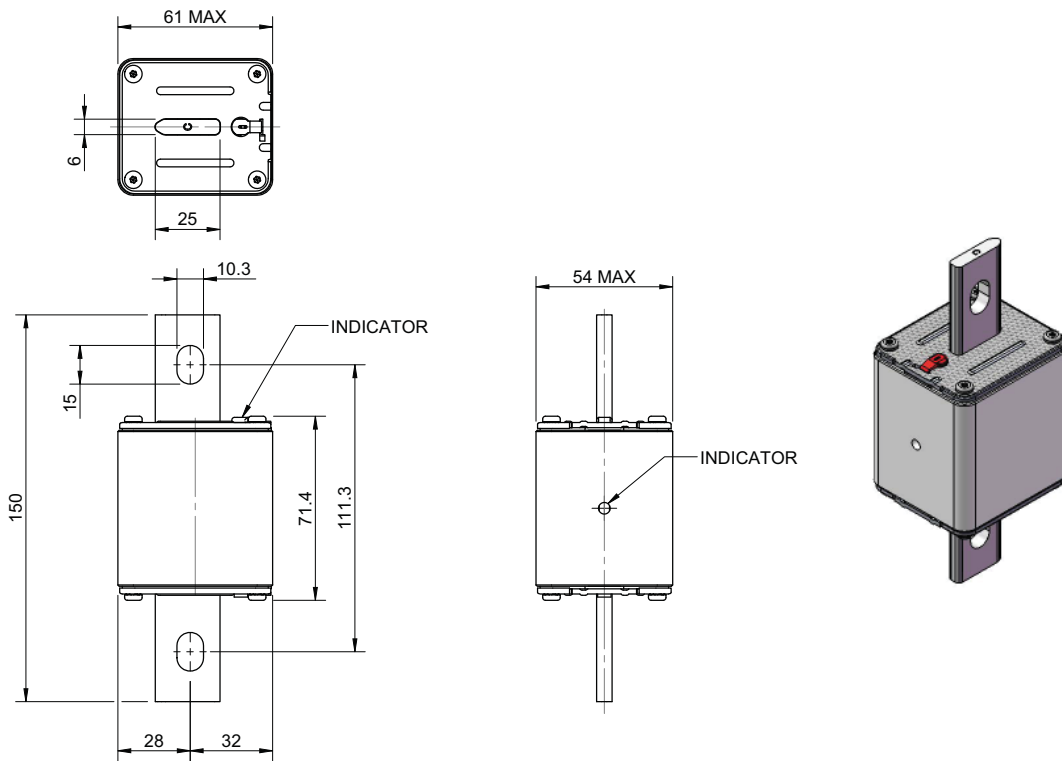
NH Size 1

Data sheet: 720133

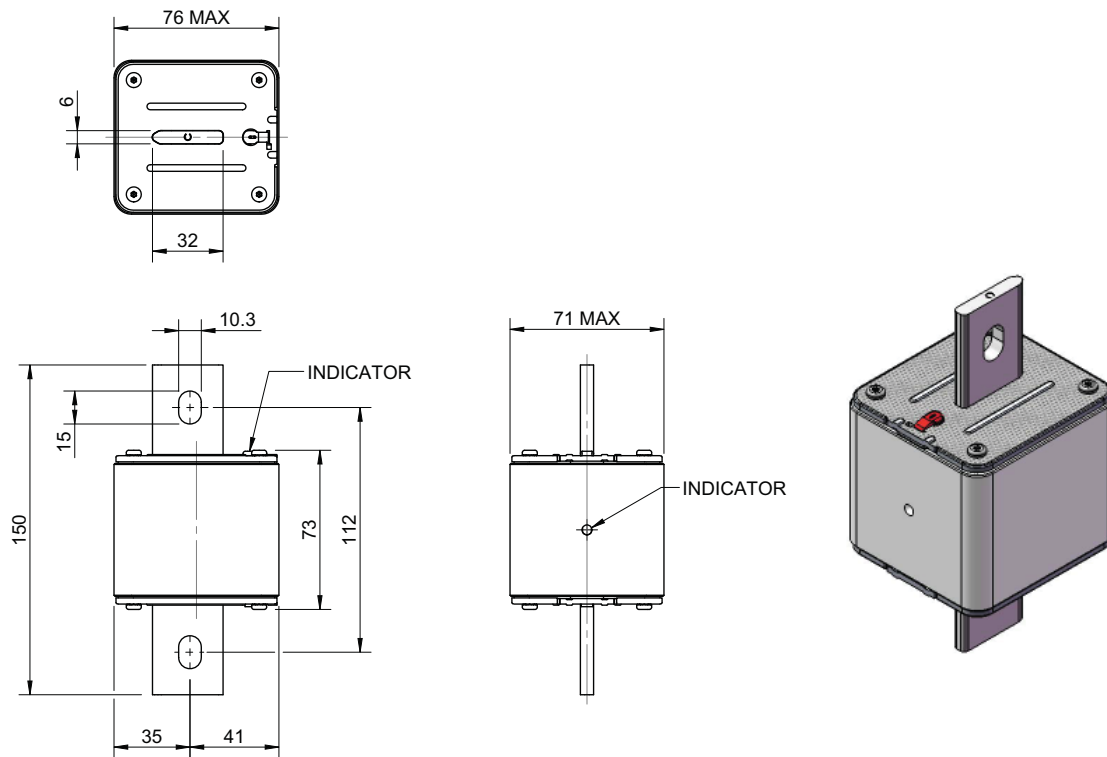
NH, PV-ANH

1000 V d.c. (IEC/UL), 32 to 400 A

Dimensions - Blade with bolt holes - mm



NH Size 2



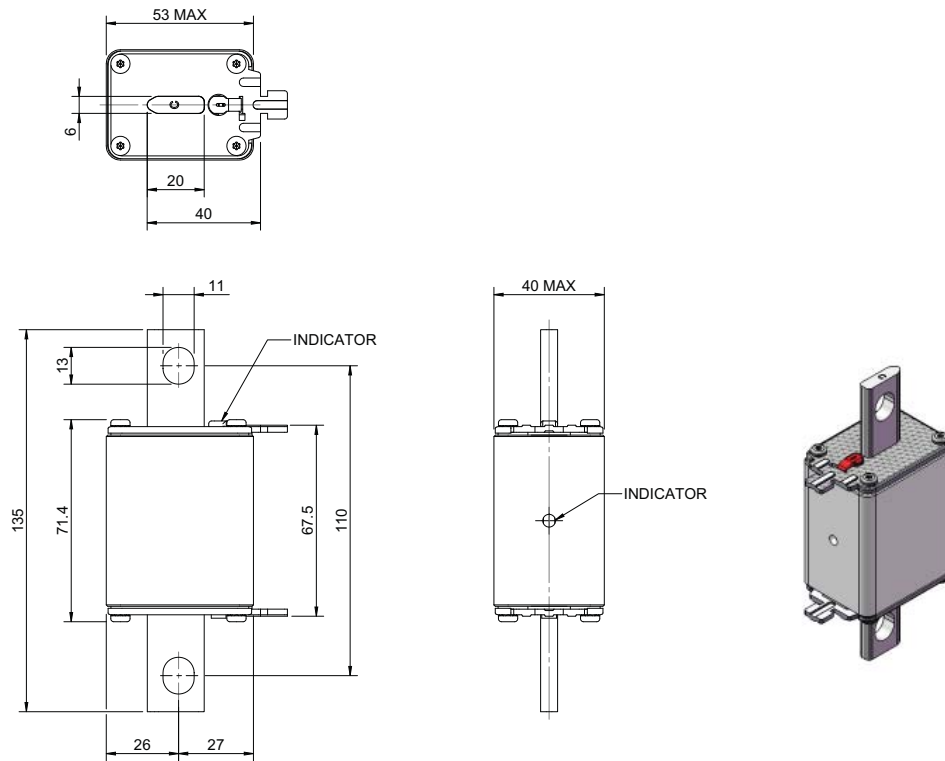
NH Size 3

Data sheet: 720133

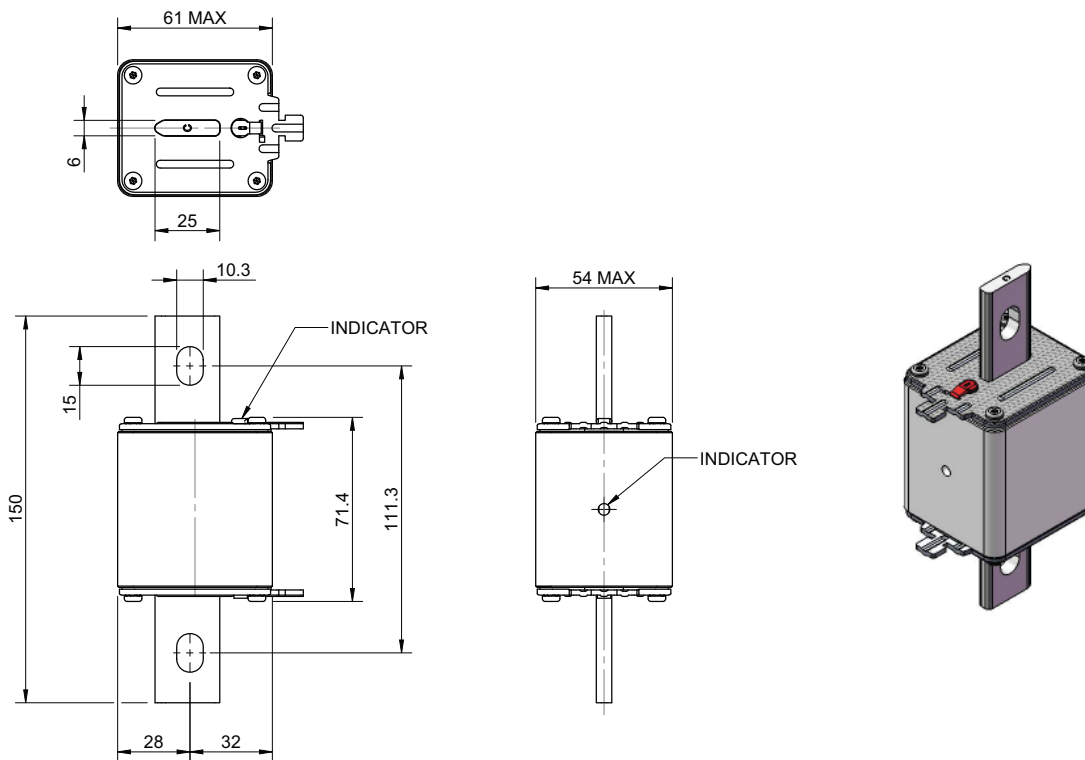
NH, PV-ANH

1000 V d.c. (IEC/UL), 32 to 400 A

Dimensions - Blade with bolt holes and lugs - mm



NH Size 1



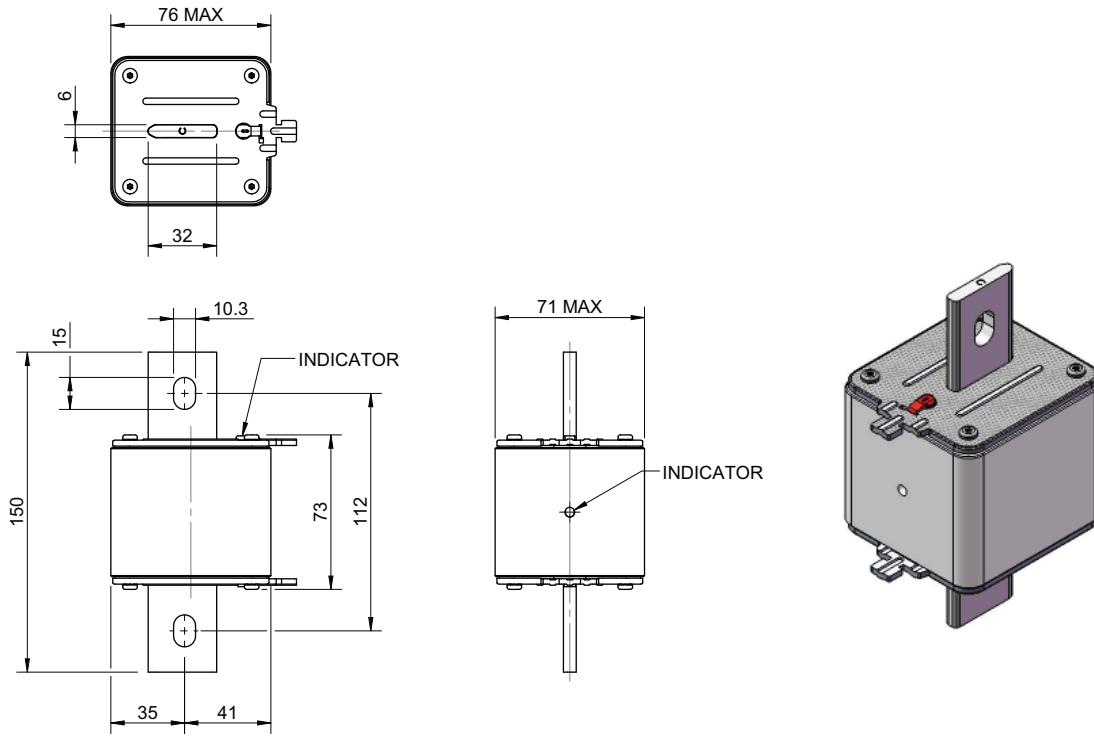
NH Size 2

Data sheet: 720133

NH, PV-ANH

1000 V d.c. (IEC/UL), 32 to 400 A

Dimensions - Blade with bolt holes and lugs - mm



NH Size 3

NH fuse bases for NH Style photovoltaic fuse links

1500 V d.c. (IEC), 1000 V d.c. (UL/CSA)

250 to 630 A, sizes 1 to 3

Description

Sizes 1 to 3 NH Fuse bases specifically designed for use with the Bussmann series range of NH PV (Photovoltaic) fuse links.

Technical data

Rated voltage:

- 1500 V d.c. (IEC)
- 1000 V d.c. (UL/CSA)

Rated current:

- 250 A (SD1)
- 400 A (SD2)
- 630 A (SD3)

Fuse base size: 1 to 3



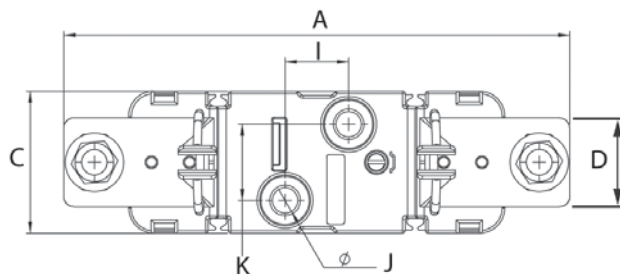
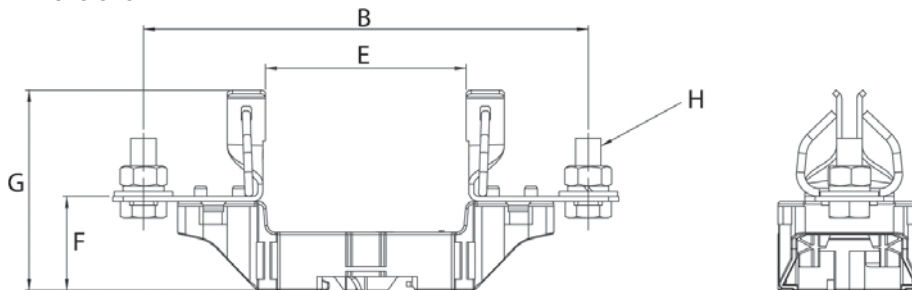
Standards / Agency information

IEC 60269-1, UL Listed - UL File #E348242, CSA file #47235

Accessories:

Microswitches - 170H0236 or 170H0238, BVL50
IP20 Finger-Safe Protection Kit - TD1-IP20, TD2-IP20, TD3-IP20.

Dimensions - mm



1-pole, Sizes 1, 2 and 3

Catalogue numbers	Poles/Type	A	B	C	D	E	F	G	H	I	J	K
SD1-D-PV	1-pole	199	175	56	35	79	37	78	M10x25	25	10	30
SD2-D-PV	1 pole	224	199	56	35	79	37.5	86	M10x25	25	10	30
SD3-D-PV	1-pole	239	209	56	36	82	37.5	88	M12x30	25	10	30

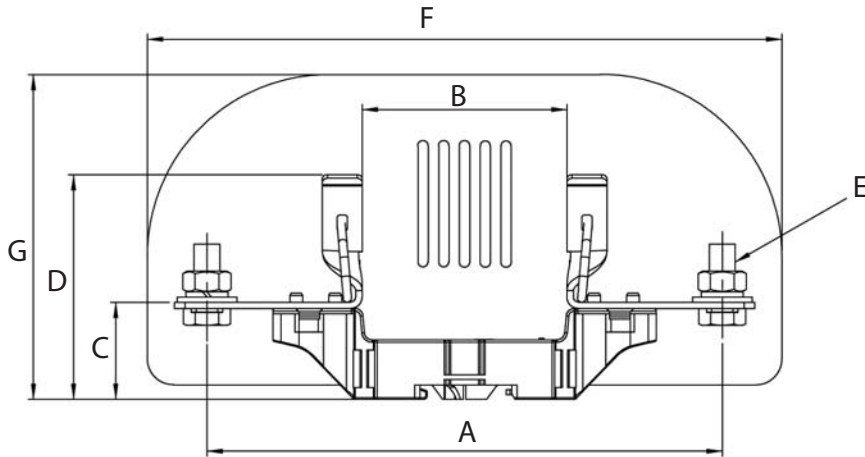
Data sheet: 720149

NH fuse bases for NH Style photovoltaic fuse links

1500 V d.c. (IEC), 1000 V d.c. (UL/CSA)

250 to 630 A, sizes 1 to 3

Dimensions - mm



With phase barriers 1-pole sizes 1, 2 and 3

Catalogue numbers	Poles/Type	A	B	C	D	E	F	G
SD1-D-PV	1-pole	175	79	37	78	M10x25	245	125.5
SD2-D-PV	1 pole	199	79	37.5	86	M10x25	245	125.5
SD3-D-PV	1-pole	209	82	37.5	88	M12x30	260	137.5

Flush end, PV-AF

1000 V d.c. (IEC/UL), 160 to 400 A

Specifications

Description

A range of flush end fuse links specifically designed for protecting and isolating photovoltaic array combiners and disconnects. These fuse links are capable of interrupting low overrated currents associated with faulted PV systems (reverse rated current, multi-array fault).

Technical data

Rated voltage: 1000 V d.c. (IEC and UL)
 Rated current: 160-400 A
 Breaking capacity: 50 kA
 Operating class: gPV and UL PV fuse links

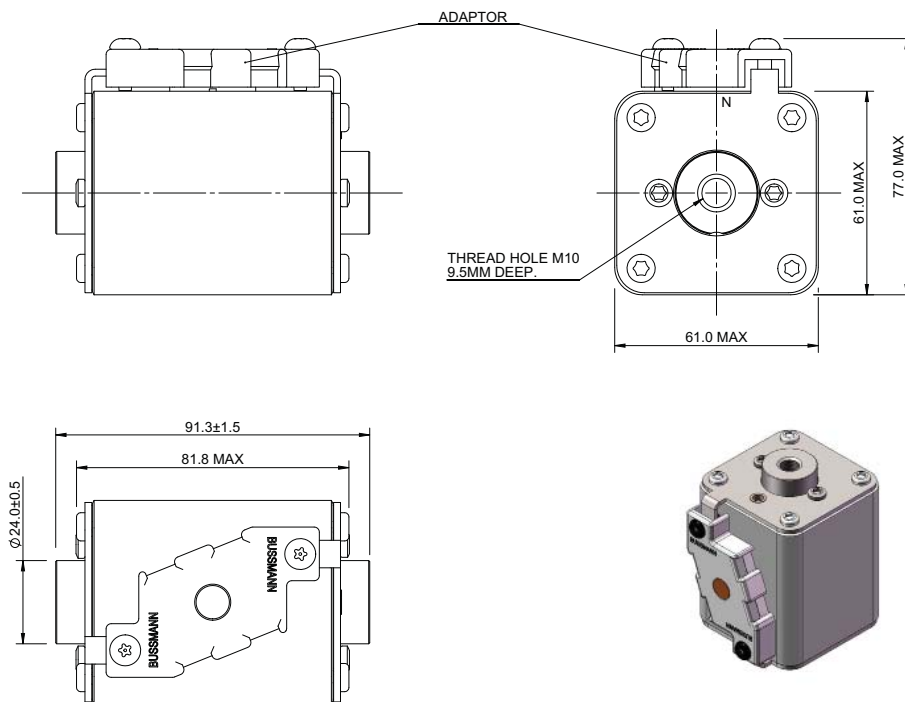


Standards / Agency information

IEC 60269-6, UL Recognised file 2579 E335324

Fuse link type	Fuse link body size	Rated voltage	Rated current (Amps)	I ² t (A ² Sec)		Watts loss (W)		Catalogue numbers
				Pre-arcing	Total at 1000 V d.c.	0.8 I _n	I _n	
Flush end	—————	1000 V d.c.(IEC/UL)	160	4600	37,000	15	30	PV-160AF2
			200	9500	76,000	17	34	PV-200AF2
			250	17,000	136,000	19	38	PV-250AF2
			315	27,000	240,000	30	49	PV-315AF3
			355	37,000	350,000	31	51	PV-355AF3
			400	61,500	550,000	32	52	PV-400AF3

Dimensions - mm



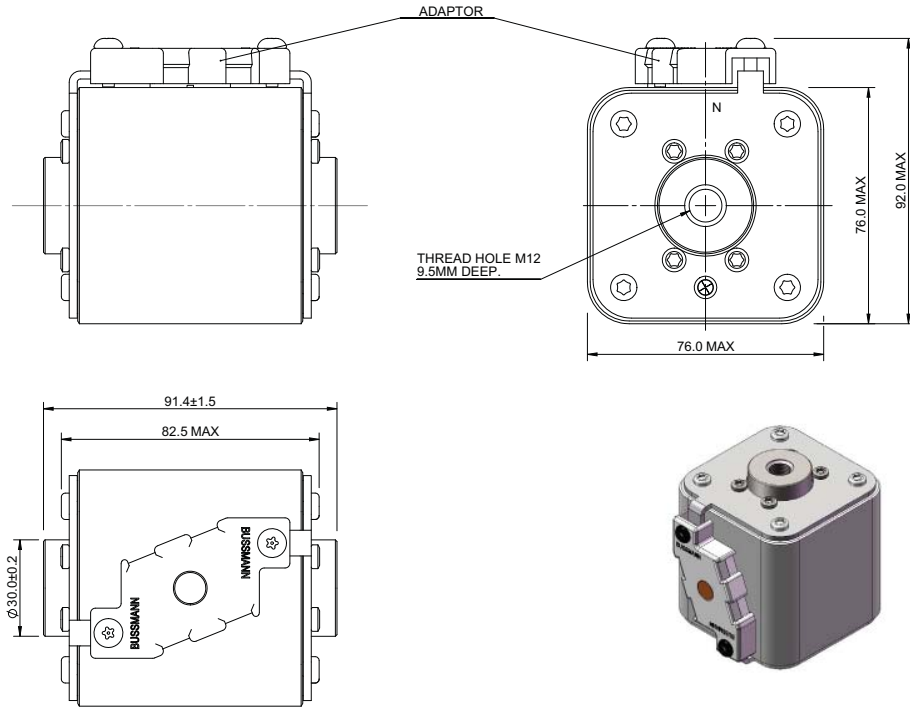
NH Size 2

Data sheet: 10370

Flush end, PV-AF

1000 V d.c. (IEC/UL), 160 to 400 A

Dimensions - mm



NH Size 3

XL Style, PV-XL

1000-1500 V d.c. (IEC/UL), 50 to 600 A

Specifications

Description

A range of XL package bladed fuse links specifically designed for protecting and isolating photovoltaic array combiners and disconnects. These fuse links are capable of interrupting low overrated currents associated with faulted PV systems (reverse rated current, multi-array fault).

Technical data

Rated voltage:

- 1000 V d.c. (IEC and UL 63 to 600 A)
- 1200 V d.c. (IEC and UL 160 A)
- 1500 V d.c. (IEC and UL 50 to 400 A)

Rated current: 50-600 A

Breaking capacity:

- Size 01 and 3: 50 kA at 1000 V d.c., 30 kA at 1500 V d.c.
- Size 1 and 2: 33 kA at 1000 V d.c., 30 kA at 1500 V d.c.

Operating class: gPV and UL PV fuse links



Standards / Agency information

IEC 60269-6, UL Recognised file 2579 E335324, RoHS compliant, pending: CCC.

Fuse link body size	Rated voltage	Rated current (Amps)	I ² t (A ² Sec)		Watts loss (W)		Catalogue numbers	
			Pre-arcing	Total at 1000 V d.c.	0.8 I _n	I _n	Bladed version	Bolted version
01	1000 V d.c. (IEC/UL)	63	260	1900	13	24	PV-63A-01XL	PV-63A-01XL-B
		80	490	3600	17	29	PV-80A-01XL	PV-80A-01XL-B
		100	870	6300	18	32	PV-100A-01XL	PV-100A-01XL-B
		125	1930	13,900	20	40	PV-125A-01XL	PV-125A-01XL-B
		160	3900	28,100	22	44	PV-160A-01XL	PV-160A-01XL-B
1	1000 V d.c. (IEC/UL)	200	9400	27,260	31	60	PV-200A-1XL	PV-200A-1XL-B
		160	2780	21,000	25	44	PV-160A-2XL	PV-160A-2XL-B
		200	4950	37,000	28	50	PV-200A-2XL	PV-200A-2XL-B
		250	9450	70,000	34	60	PV-250A-2XL	PV-250A-2XL-B
		315	16,600	123,000	40	66	PV-315A-2XL	PV-315A-2XL-B
		355	26,000	192,000	42	68	PV-355A-2XL	PV-355A-2XL-B
		160	2780	21,000	25	44		PV-160A-2XL-3B ¹
		200	4950	37,000	28	50		PV-200A-2XL-3B ¹
2	1000 V d.c. (IEC/UL)	250	9450	70,000	34	60		PV-250A-2XL-3B ¹
		315	16,600	123,000	40	66		PV-315A-2XL-3B ¹
		355	26,000	192,000	42	68		PV-355A-2XL-3B ¹
		350	31,000	161,200	40	65	PV-350A-3L	PV-350A-3L-B
		400	44,500	231,400	48	82	PV-400A-3L	PV-400A-3L-B
		500	85,000	442,000	50	85	PV-500A-3L	PV-500A-3L-B
		600	137,000	712,400	80	108	PV-600A-3L	PV-600A-3L-B

¹ PV-*A-2XL-3B and PV-*A-2XL-3B-15 have revised bolting patterns, which are identical to size 3L bolting pattern. This allows utilisation of both size 2XL and size 3L fuse links without changing the dimensional layout of the inverter, combiners and disconnects.

XL Style, PV-XL

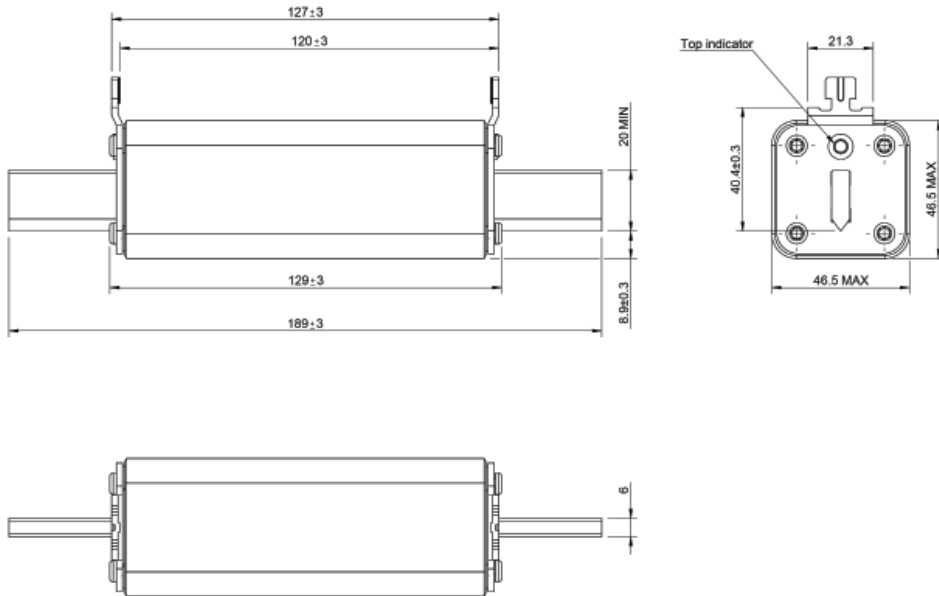
1000-1500 V d.c. (IEC/UL), 50 to 600 A

Fuse link body size	Rated voltage	Rated current (Amps)	I ² t (A ² Sec)		Watts loss (W)		Catalogue numbers — 1500 V d.c. ¹	
			Pre-arcing	Total at 1500 V ¹	0.8 I _n	I _n	Bladed version	Bolted version
01	1500 V d.c. (IEC/UL)	50	175	1000	14	25	PV-50 A-01XL-15	PV-50 A-01XL-B-15
		63	362	2250	15	26	PV-63A-01XL-15	PV-63A-01XL-B-15
		80	565	3300	19	35	PV-80 A-01XL-15	PV-80 A-01XL-B-15
		100	1100	6600	22	40	PV-100 A-01XL-15	PV-100 A-01XL-B-15
		125	2200	10,500	23	42	PV-125A-01XL-15	PV-125A-01XL-B-15
	1200 V d.c. (IEC/UL)	160	5000	24,000	26	52	PV-160 A-01XL-12	PV-160 A-01XL-B-12
		100	1250	6000	24	43	PV-100 A-1XL-15	PV-100 A-1XL-B-15
1	1500 V d.c. (IEC/UL)	125	1950	9360	25	52	PV-125A-1XL-15	PV-125A-1XL-B-15
		160	4200	20,160	30	58	PV-160 A-1XL-15	PV-160 A-1XL-B-15
		200	9400	45,120	31	61	PV-200 A-1XL-15	PV-200 A-1XL-B-15
		125	2200	15,000	25	44	PV-125A-2XL-15	PV-125A-2XL-B-15
2	1500 V d.c. (IEC/UL)	160	5000	32,000	29	48	PV-160 A-2XL-15	PV-160 A-2XL-B-15
		200	8800	51,000	32	57	PV-200 A-2XL-15	PV-200 A-2XL-B-15
		250	16,600	85,000	40	70	PV-250 A-2XL-15	PV-250 A-2XL-B-15
		125						PV-125A-2XL-B-15 ²
		160						PV-160 A-2XL-B-15 ²
3	1500 V d.c. (IEC/UL)	200					PV-200 A-2XL-B-15 ²	
		250					PV-250 A-2XL-B-15 ²	
		250	22,300	92,000	32	50	PV-250 A-3L-15	PV-250 A-3L-B-15
		315	38,000	160,000	36	66	PV-315A-3L-15	PV-315A-3L-B-15
		355	44,500	184,000	44	80	PV-355A-3L-15	PV-355A-3L-B-15
		400	58,000	240,000	49	91	PV-400 A-3L-15	PV-400 A-3L-B-15

¹1200 V d.c. for 160 A.

² PV-*A-2XL-3B and PV-*A-2XL-3B-15 have revised bolting patterns, which are identical to size 3L bolting pattern. This allows utilisation of both size 2XL and size 3L fuse links without changing the dimensional layout of the inverter, combiners and disconnects.

Dimensions - mm

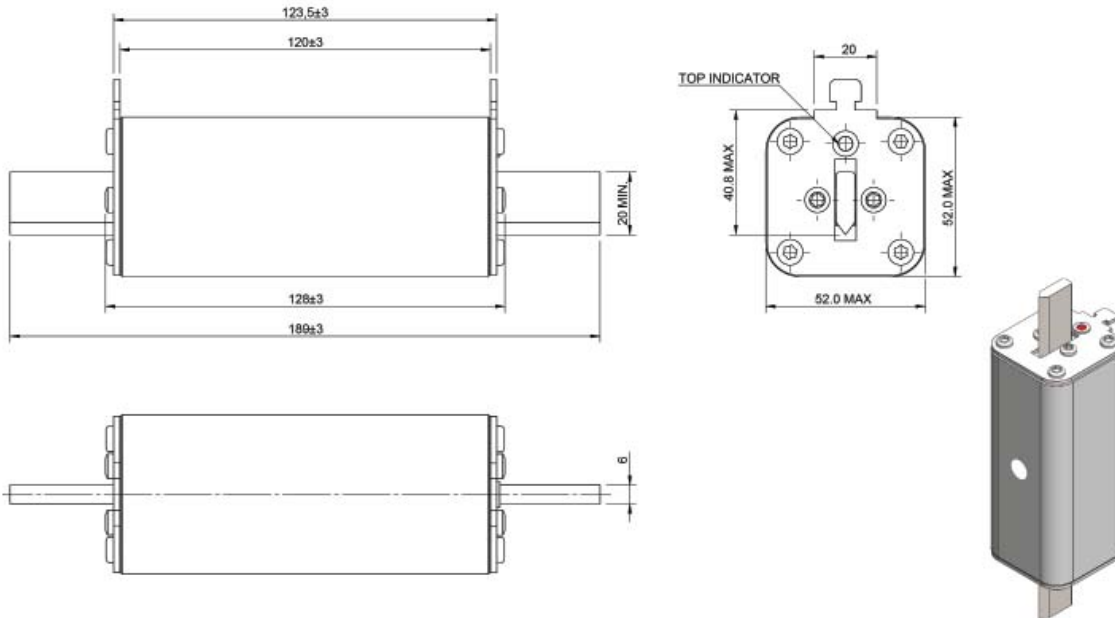


Bladed - size 01

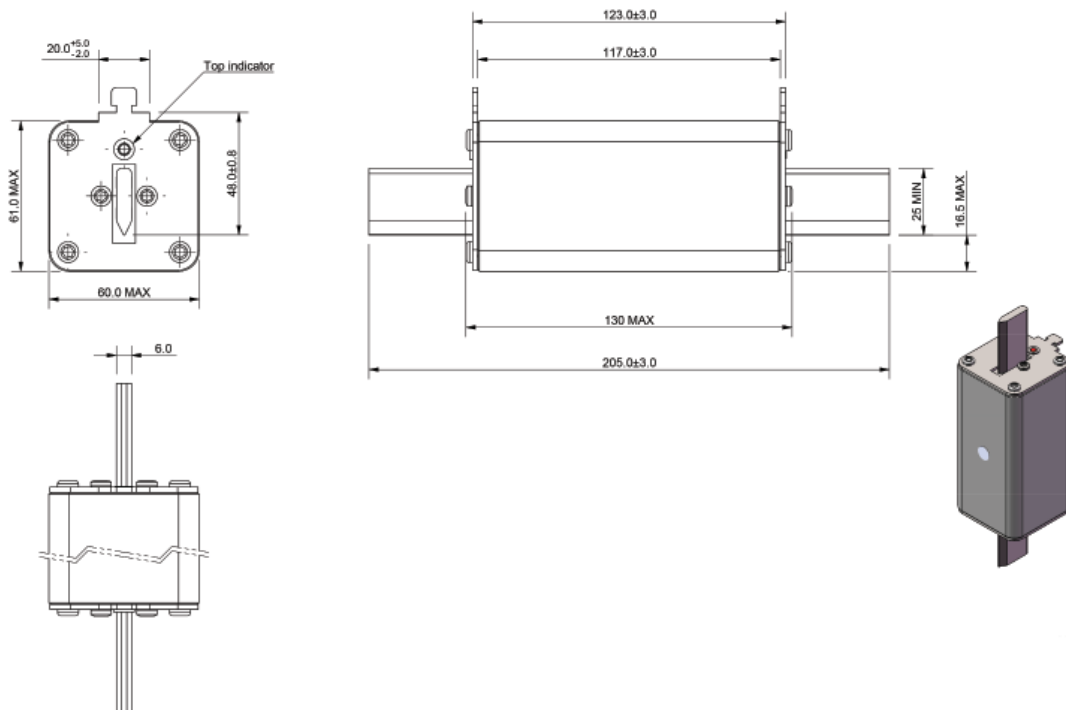
XL Style, PV-XL

1000-1500 V d.c. (IEC/UL), 50 to 600 A

Dimensions - mm



Bladed - size 1

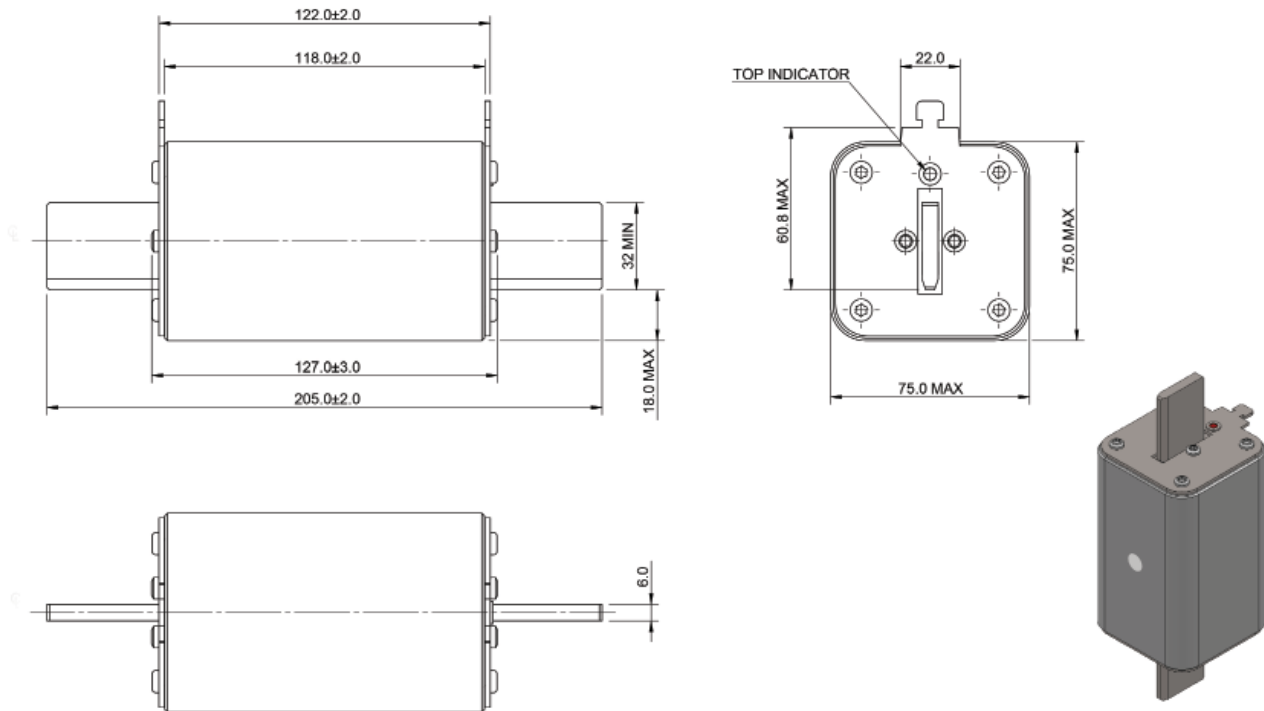


Bladed - size 2

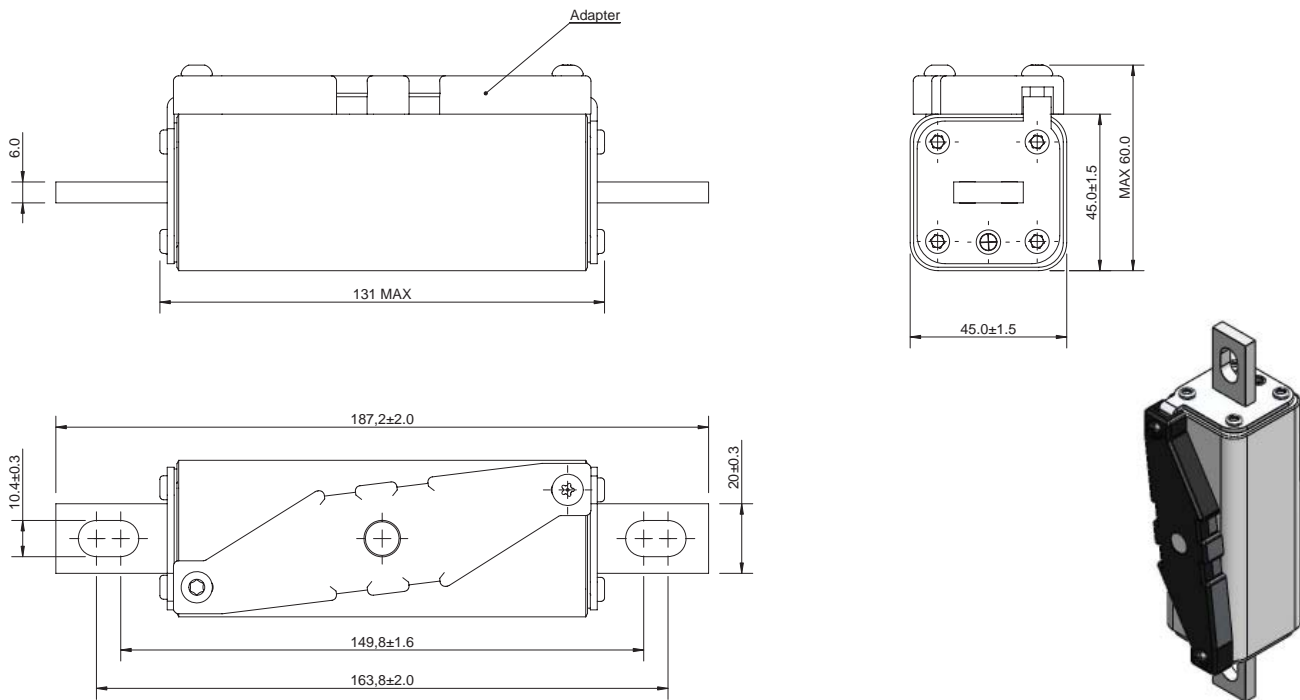
XL Style, PV-XL

1000-1500 V d.c. (IEC/UL), 50 to 600 A

Dimensions - mm



Bladed - size 3



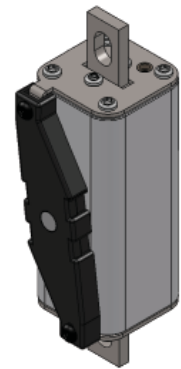
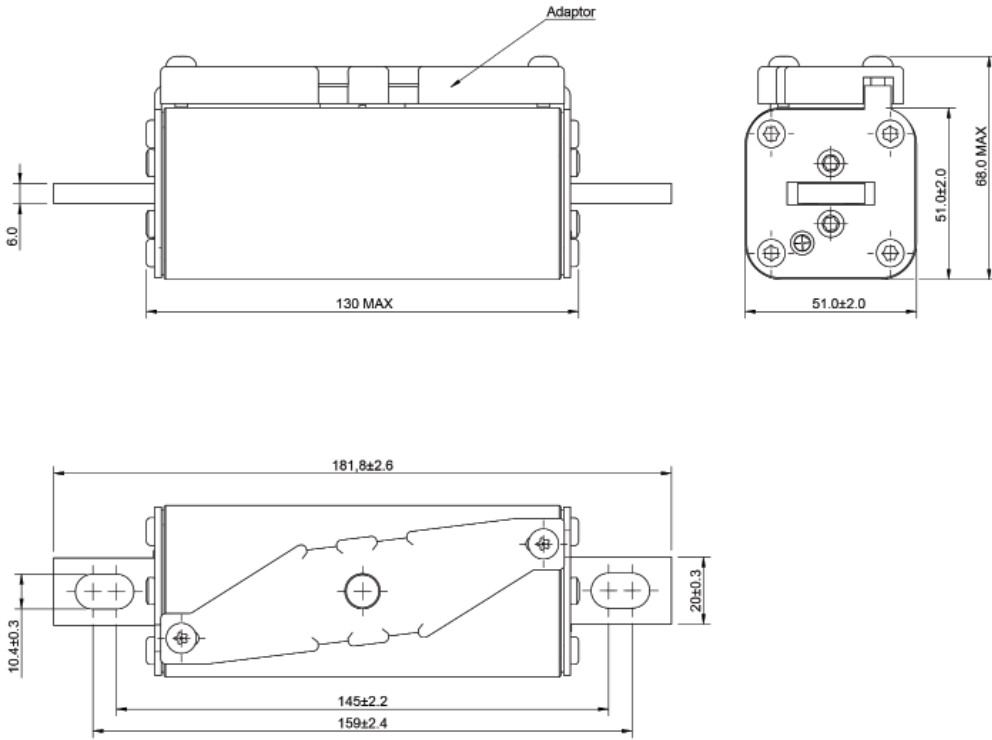
Bolted - Size 01

Data sheet: 720134

XL Style, PV-XL

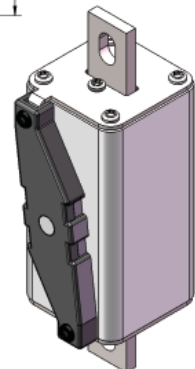
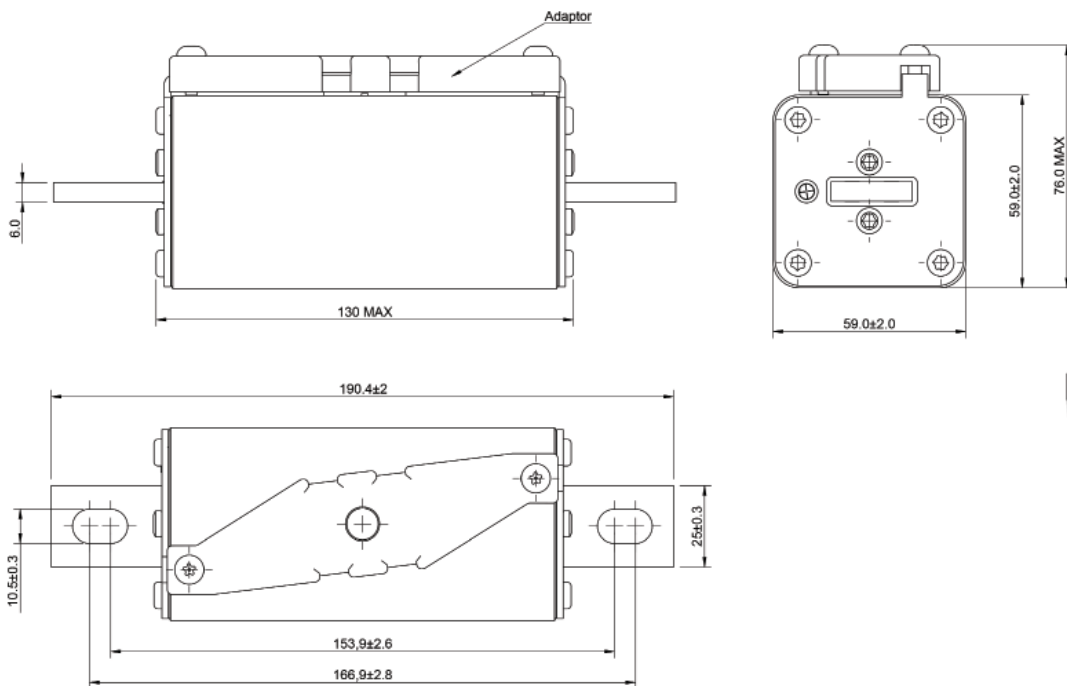
1000-1500 V d.c. (IEC/UL), 50 to 600 A

Dimensions - mm



→ FUSE LINK BOLTED

Bolted - Size 1



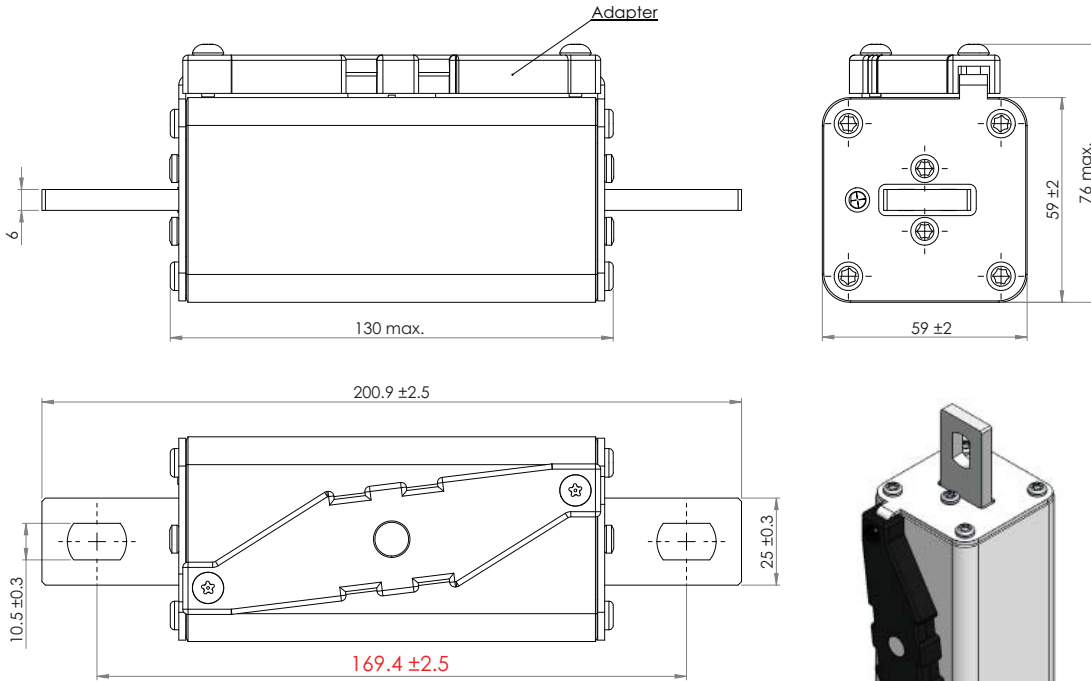
Bolted - Size 2

Data sheet: 720134

XL Style, PV-XL

1000-1500 V d.c. (IEC/UL), 50 to 600 A

Dimensions - mm

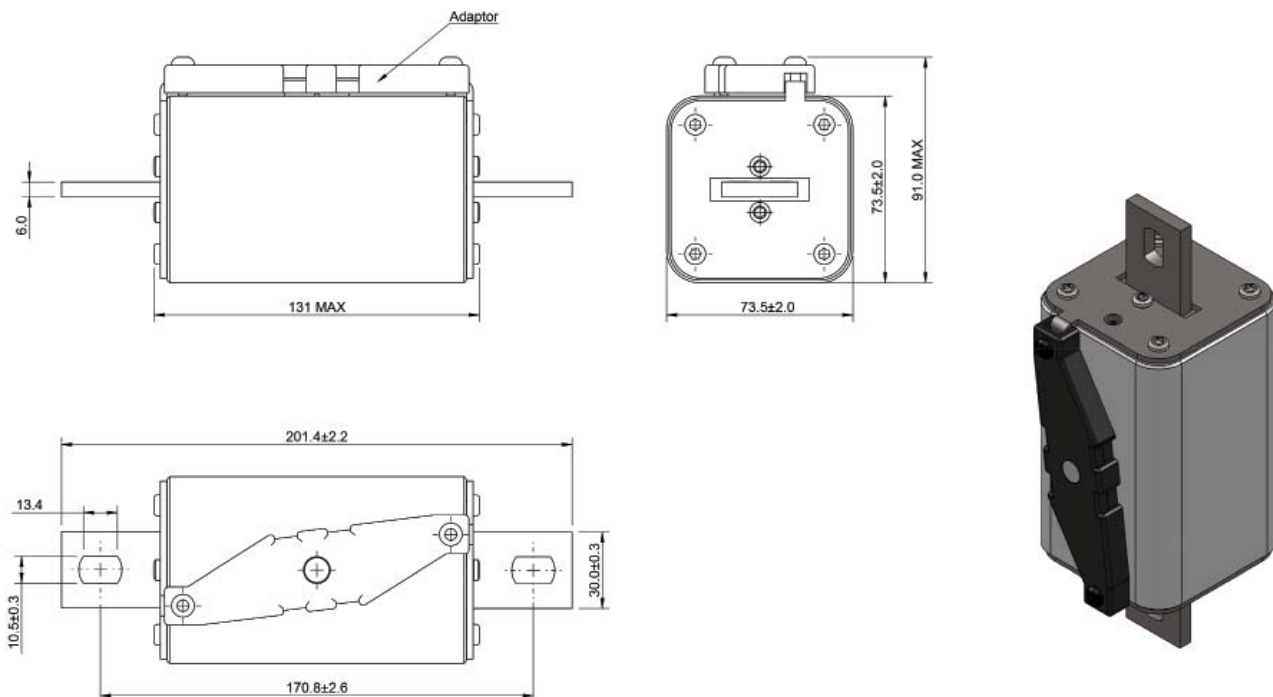


PV-*A-2XL-3B and PV-*A-2XL-3B-15 have revised bolting patterns, which are identical to size 3L bolting pattern. This allows utilisation of both size 2XL and size 3L fuse links without changing the dimensional layout of the inverter, combiners and disconnects.

Mounting dimensions comparison

2XL-3B	3L
169.4	170.8

Bolted - Size 2XL-3B



Bolted - Size 3

Data sheet: 720134

XL fuse bases for XL style photovoltaic fuse links

1500 V d.c. (IEC), 250 to 630 A, sizes 1 to 3

Description

Sizes 1 to 3 XL Fuse bases specifically designed for use with the Bussmann series range of XL PV (Photovoltaic) fuse links.

Technical data

Rated voltage: 1500 V d.c. (IEC)
 Rated current: 250, 400 and 630 A
 Fuse base size: 1 to 3
 Compatible fuse links: PV XL see pages 127-132

Standards / Agency information

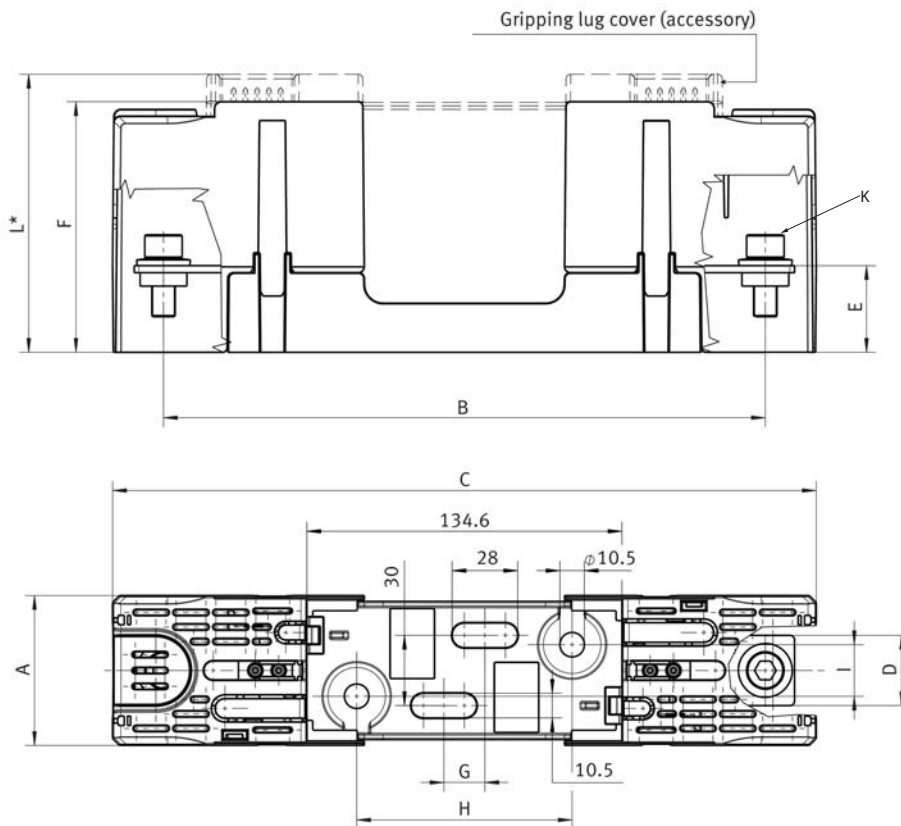
IEC 60269-1
 UL Listed (file number E348242)

Accessories:

Fuse extraction handle available in sizes 01XL to 3L
 Part numbers: FEH1500
 Unit packing: 1



Dimensions - mm



Catalogue numbers	XL Style fuse link size	Maximum fuse rated current	Power acceptance	A	B	C	D	E	F	G	H	I	K	L
SB1XL-S	01XL, 1XL	250	56W	59	257	300.5	30	37	102.5	17.5	92	22	M10x25	111
SB2XL-S	2XL	400	70W	64	257	300.5	30	37	107	17.5	92	22	M10x25	119
SB3L-S	3L	630	96W	80	270	328	40	38	122.5	25	96	26	M12x30	134.5

Data sheet: 10066

Fuse bases for North American, British and square body fuse links

Modular style

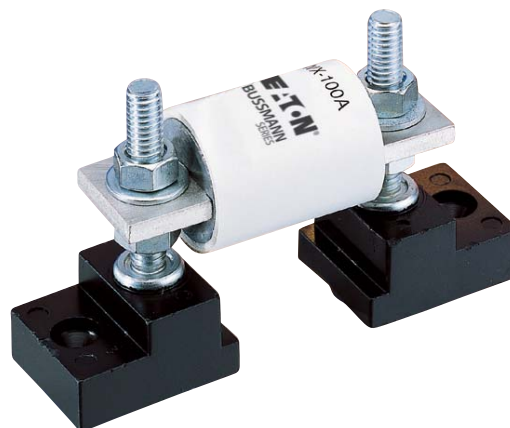
Description

Eaton's Bussmann series offers a comprehensive line of fuse bases that provide the user with design and manufacturing flexibility. Two identical half bases make up a Bussmann series modular fuse base. These 'split' units can be panel mounted any distance apart to accommodate any length fuse.

1 - Stud type

The simpler design is the C5268 modular fuse base. With this design, the fuse terminal and cable (with termination) are mounted on the same stud, minimizing labor needed for installation. The stud type base is available in the configurations shown in the table below.

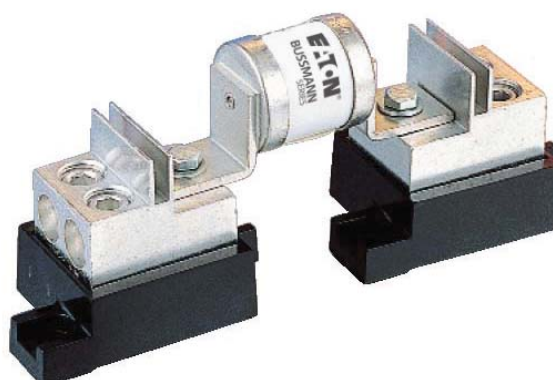
Catalogue numbers	Max fuse amp rating	Stud height (in)	Stud dia. & threads
C5268-1	200	1	5/16"-18
C5268-2	200	1.75	5/16"-18
C5268-3	200	0.75	5/16"-18
C5268-4	100	1	1/4"-20
C5268-5	100	1.75	1/4"-20



2 - Connector Type

Eaton's Bussmann series also offers a modular style fuse base that utilizes a tin-plated connector for wire termination and heat dissipation) and a plated-steel stud (for fuse mounting). The connector type fuse base is available in the configurations shown below. Consult Eaton for additional product details.

Catalogue numbers	Max rated voltage	Max fuse Amp rating
1BS101	600	100
1BS102	600	400
1BS103	600	400
1BS104	600	600



3 - BH

BH fuse blocks provide a wide range of mounting configurations for Bussmann High Speed semi-conductors fuse links. BH fuse blocks have a Short-Circuit rated current rating of any installed fuse up to 200 kA RMS Sym.

Catalogue numbers	Max rated voltage	Max fuse Amp rating
BH-0	700	100
BH-1	2500	400
BH-2	5000	600
BH-3	1250	700



Data sheets: 1200 (BH-0), 1201 (BH-1), 1202 (BH-2), 1203 (BH-3), 1206 (1BS101), 1207 (1BS102), 1208 (1BS103), 1209 (1BS104)

Fuse bases for square body fuse links

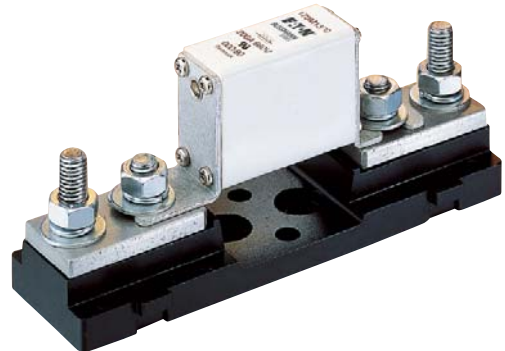
Fixed center fuse bases for DIN 43653 fuse links

Description

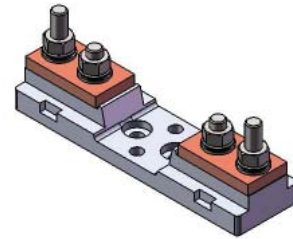
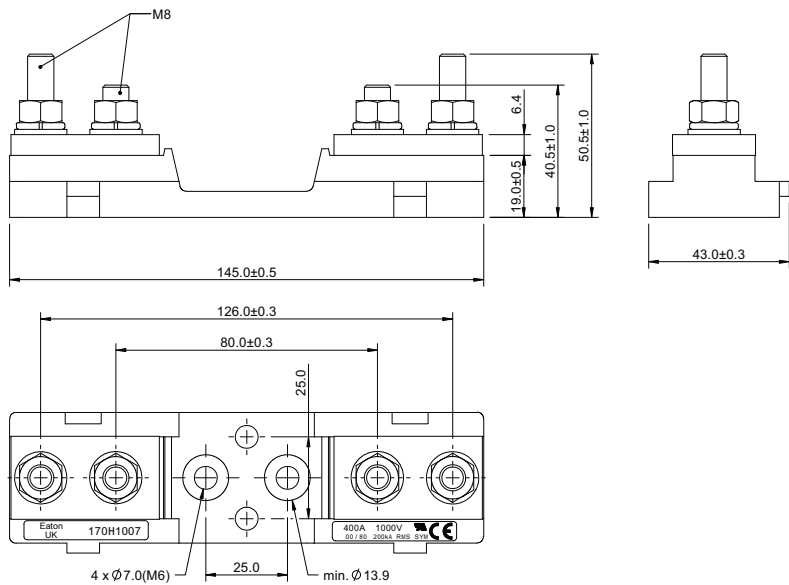
Fuse bases (blocks) to be used with DIN 43653 square body fuse links with centre distances of 80 and 110mm. Available for sizes 000, 00, 1*, 1, 2 and 3.

Sizes 000 to 00 Fuse bases

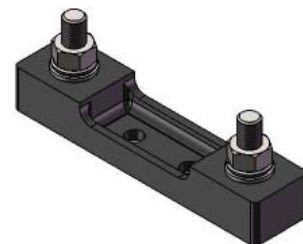
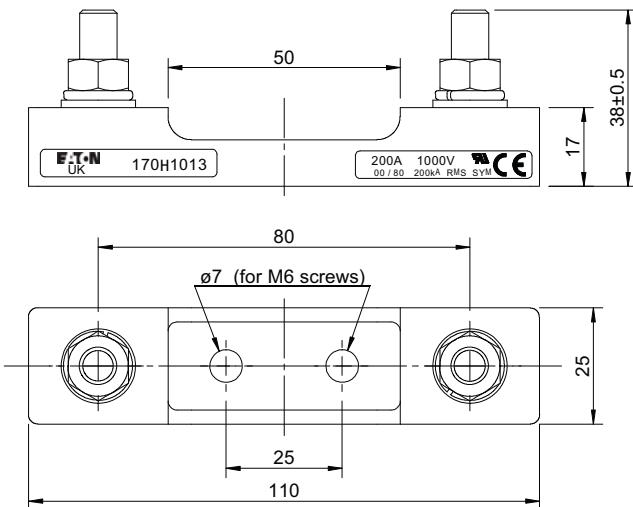
Catalogue numbers	Max rated voltage (Volts)	Max fuse Amp rating (Amps)	Centre distance (mm)	Fuse sizes
170H1007	1000	400	80	00, 000
170H1013	690	200	80	0000, 000



Dimensions - mm



170H1007



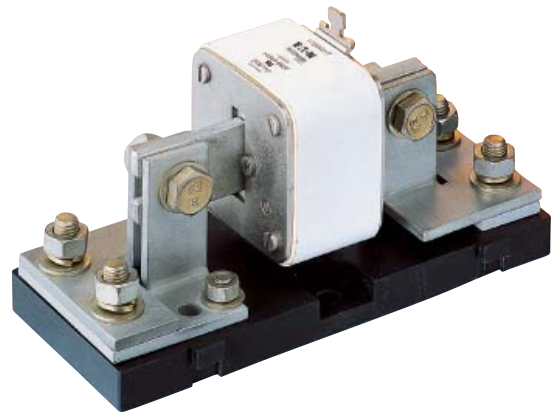
170H1013

Fuse bases for square body fuse links

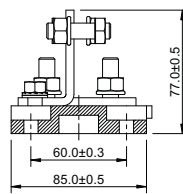
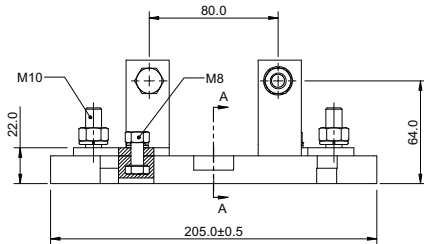
Fixed center fuse bases for DIN 43653 fuse links

Sizes 1* to 3

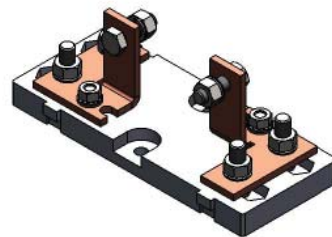
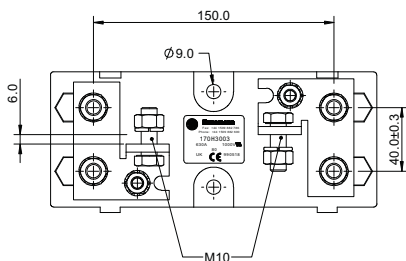
Catalogue numbers	Max rated voltage (Volts)	Max fuse Amp rating (Amps)	Centre distance (mm)
170H3003	1000	630	80
170H3004	1000	1250	80
170H3005	1400	630	110
170H3006	1400	1250	110



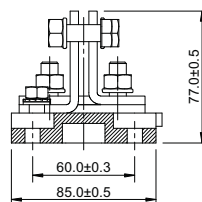
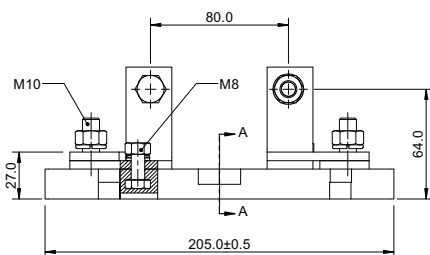
Dimensions - mm



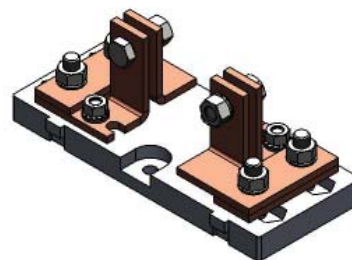
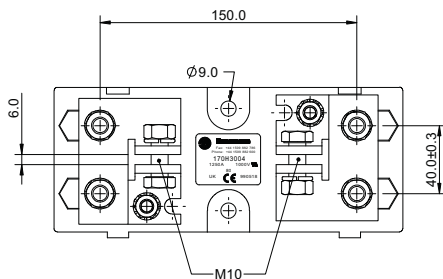
SECTION A-A



170H3003



SECTION A-A

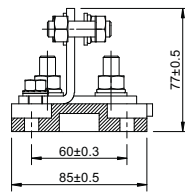
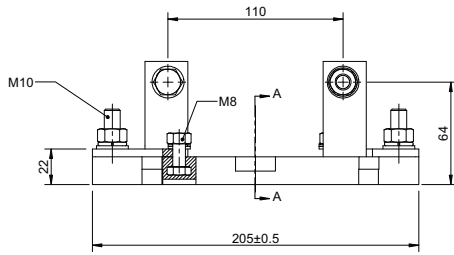


170H3004

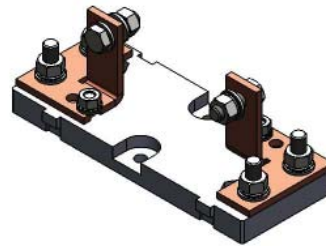
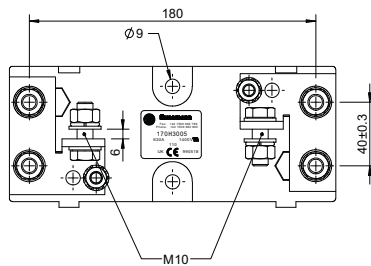
Fuse bases for square body fuse links

Fixed center fuse bases for DIN 43653 fuse links

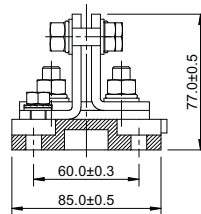
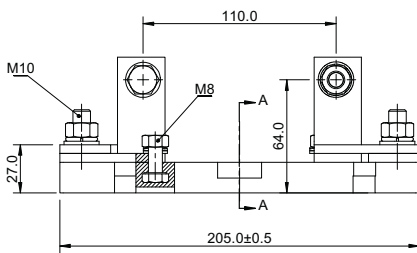
Dimensions - mm



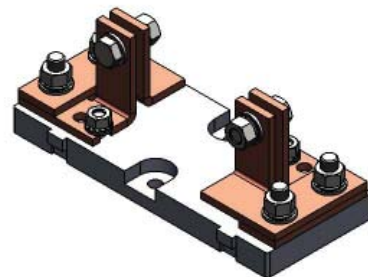
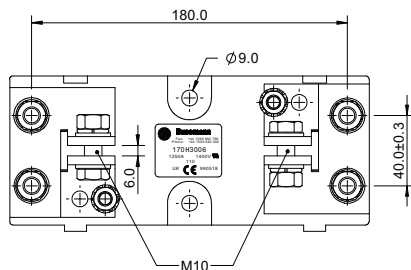
SECTION A-A



170H3005



SECTION A-A



170H3006

Fuse links with higher current ratings than 1250 A can be used with 170H3004 or 170H3006 if the maximum load current is derated according to the table below.

Fuse amp rating	Max. Amp load in fuse base
1400	1325
1500	1400
1600	1500
1800	1650
2000	1800

Fuse bases for ferrule fuse links

BMM

600 V a.c. (UL), 30 A

Specifications

Description

Modular, open-style fuse blocks for cylindrical industrial fuse links. Versatile 35mm DIN rail or screw-to-panel mounting.

Technical data

Rated voltage: 600 V a.c. (UL)

Rated current:

- 30 A (box lug terminal)
- 20 A (with quick connector terminal)

Compatible fuse links: FWA-A10F, FWC-A10F, PVM and PV-A10F

Standards / Agency information

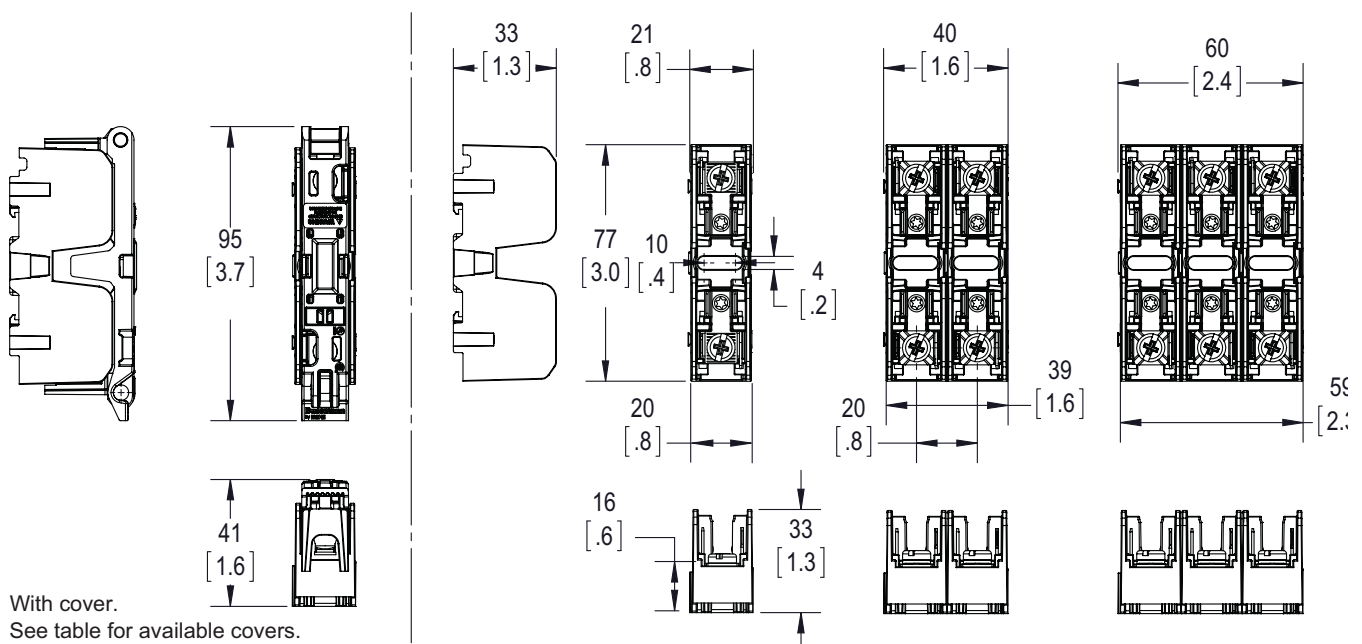
- UL Recognised E14853-IZLT2
- CSA Certified 47235-6225-01
- CE
- RoHS compliant
- Conflict mineral free
- Reach declaration available upon request



Terminal type			Fuse link size	Number of poles
Screw w/quick connect ¹	Pressure plate w/quick connect ¹	Box lug		
BMM603-1SQ	BMM603-1PQ	BMM603-1C	10 x 38 (13/32" x 1-1/2")	1
BMM603-2SQ	BMM603-2PQ	BMM603-2C	10 x 38 (13/32" x 1-1/2")	2
BMM603-3SQ	BMM603-3PQ	BMM603-3C	10 x 38 (13/32" x 1-1/2")	3

¹ Quick connect terminals rated for 20 A maximum.

Dimensions - mm (in)

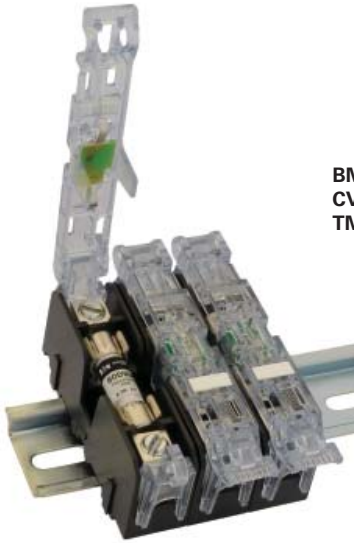


BMM

600 V a.c. (UL), 30 A

Recommended covers

Terminal type	Cover part numbers	
	Indicating	Non indicating
Box lug (CR)	CVRI-CCM	CVR-CCM
Screw/quick connect (SQ)	CVRI-CCM-QC	CVR-CCM-QC
Pressure plate/quick connect (PQ)	CVRI-CCM-QC	CVR-CCM-QC



**BMM603-3C with
CVRI-CCM covers and
TM27CB marker labels**

JM70100

700 V a.c. (UL), 100 A

Specifications

Description

Modular, open-style fuse blocks for cylindrical industrial fuse links. Versatile 35mm DIN rail or screw-to-panel mounting.

Technical data

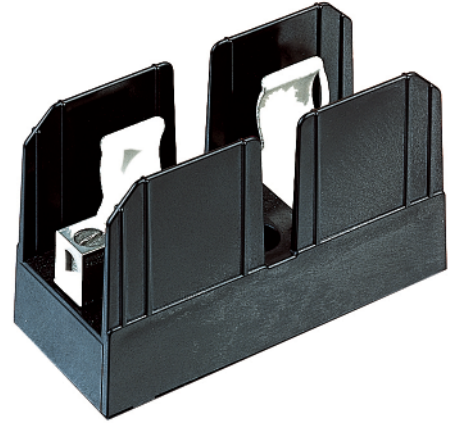
Rated voltage: 700 V a.c. (UL)

Rated current: 100 A

Compatible fuse links: FWP-A22F(I) see page 32

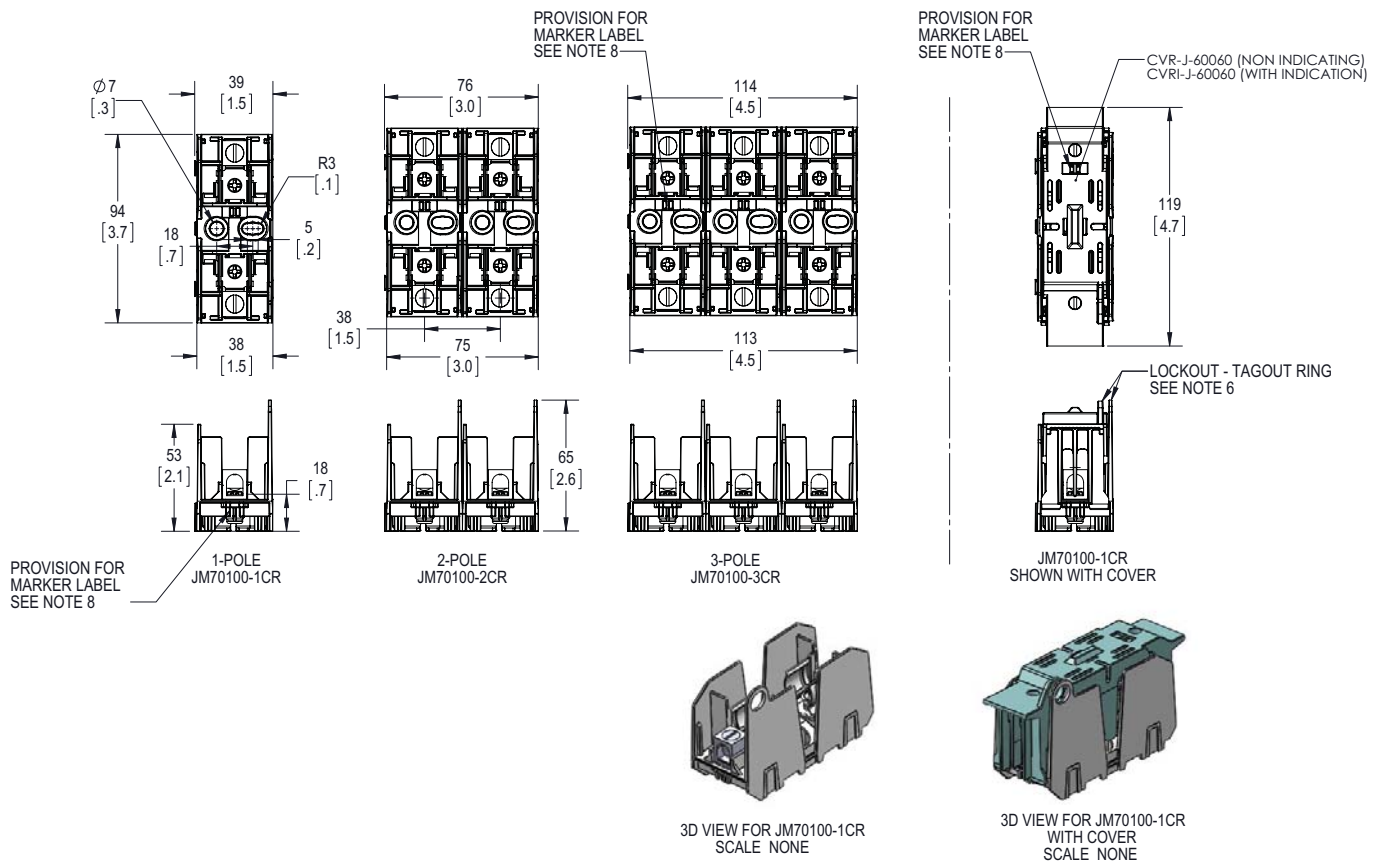
Standards / Agency information

UL Recognised, Guide IZTL2, File 14853.



Terminal type	Fuse link size	Number of poles
Box lug with retaining clip		
JM70100-1CR	22 x 58 mm	1
JM70100-2CR		2
JM70100-3CR		3

Dimensions - mm (in)



Modular knifeblade fuse blocks

JM60

600 V a.c. (UL), 70 to 600 A

Specifications

Description

Industry's first modular fuse block simplifies design and enhances safety



Technical data

Rated voltage: 600V a.c. (UL)

Rated current: see table below

Compatible fuse links: DFJ see page 78

Standards / Agency information

Blocks

- UL - Listed cULus E14853 - IZLT & IZLT7
- CSA - Certified 47235-6225-01

Covers

- UL - Listed UL E58836 - JDVS2
- CSA - Certified 47235-6225-01

Catalogue numbers			Rated voltage	Rated current (Amps)	Number of poles	Compatible Bussmann series fuse links
Class J Block	Covers without indication*	Covers with indication*				
JM60100-1CR			600 V a.c.	70-100	1	DFJ
JM60100-2CR	CVR-J-60100	CVRI-J-60100			2	
JM60100-3CR					3	
JM60200-1CR			600 V a.c.	110-200	1	
JM60200-2CR	CVR-J-60200	CVRI-J-60200			2	
JM60200-3CR					3	
JM60400-1CR			600 V a.c.	225-400	1	
JM60400-2CR	CVR-J-60400-M	CVRI-J-60400-M			2	
JM60400-3CR					3	
JM60600-1CR			600 V a.c.	450-600	1	
JM60600-2CR	CVR-J-60600	CVRI-J-60600			2	
JM60600-3CR					3	

* Covers sold separately. Blown fuse indication requires 90 volts minimum and closed circuit to operate.

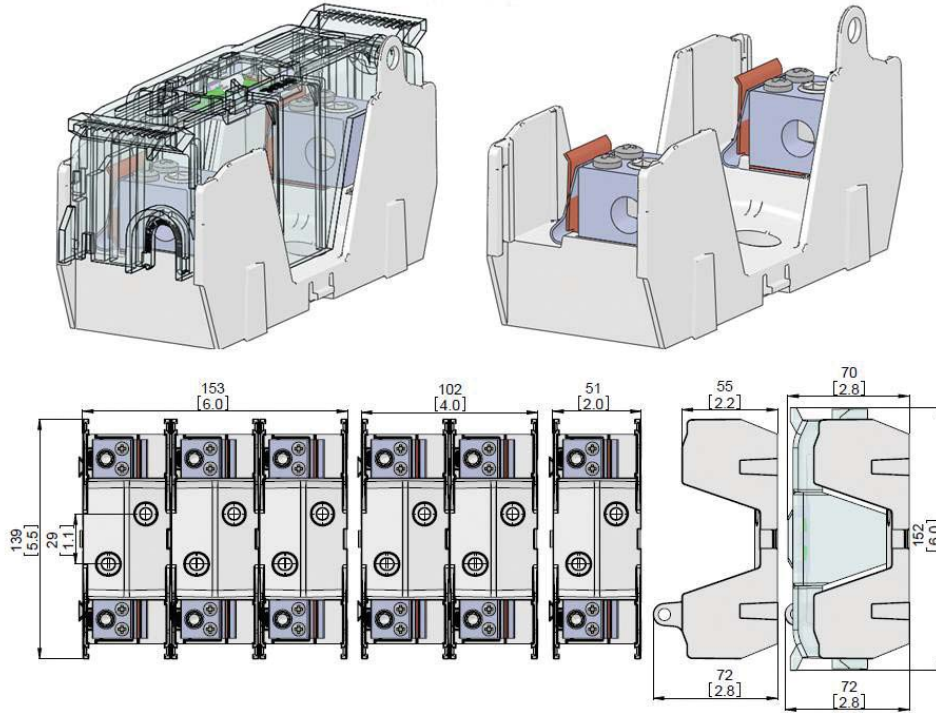
Wire range and torque values

Catalogue numbers	Wire range (solid and stranded)	Wire range (fine stranded)	Torque N•m (Lb-in)
JM60100-1CR	1/0-3 AWG; (2) Cu 4-6 AWG	1-3 AWG	6.2 (55)
JM60100-2CR	4-6 AWG; (2) Cu 8 AWG	4-6 AWG	5.6 (50)
JM60100-3CR	8 AWG; (2) Cu 10-14 AWG Cu 10-14 AWG; Al 10-12 AWG	8 AWG	5.1 (45) 4.5 (40) 4.0 (35)
JM60200-1CR	250 MCM -1 AWG	3/0-1 AWG	42 (375)
JM60200-2CR	2-6 AWG; (2) Cu 2-6 AWG	2-6 AWG	31 (275)
JM60200-3CR			
JM60400-1CR	600kcmil		57 (500)
JM60400-2CR	500kcmil-4 AWG	N/A	51 (450)
JM60400-3CR	(2) Cu 3/0 - 4 AWG (2) Al 3/0 - 4 AWG		57 (500) 34 (300)
JM60600-1CR	(2) 500kcmil-4 AWG	N/A	51 (450)
JM60600-2CR			

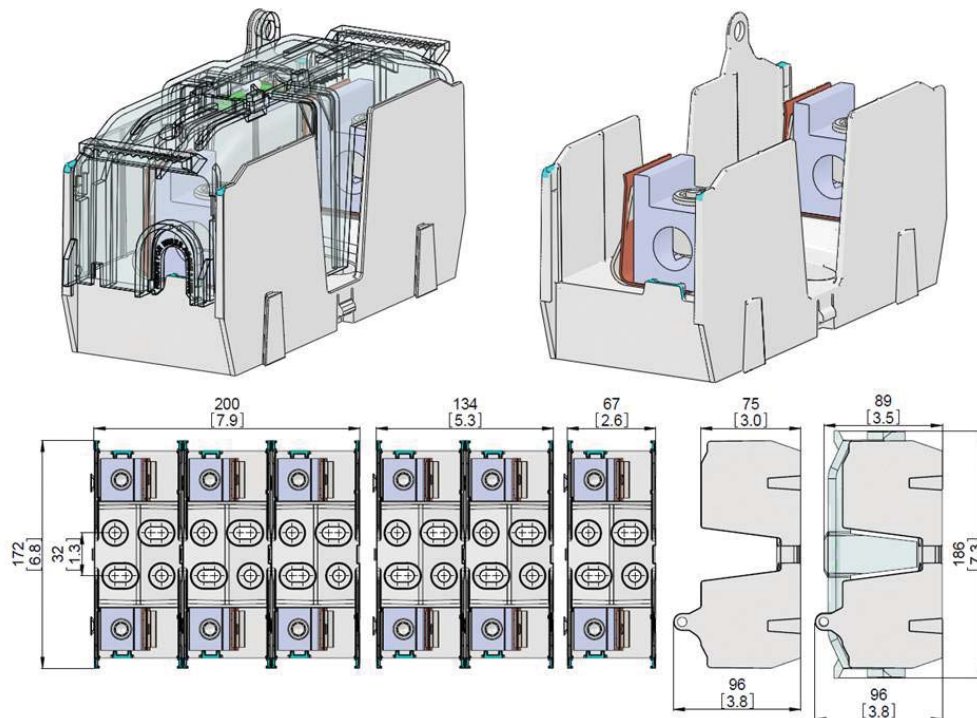
JM60

600 V a.c. (UL), 70 to 600 A

Dimensions - mm (in)



100 A

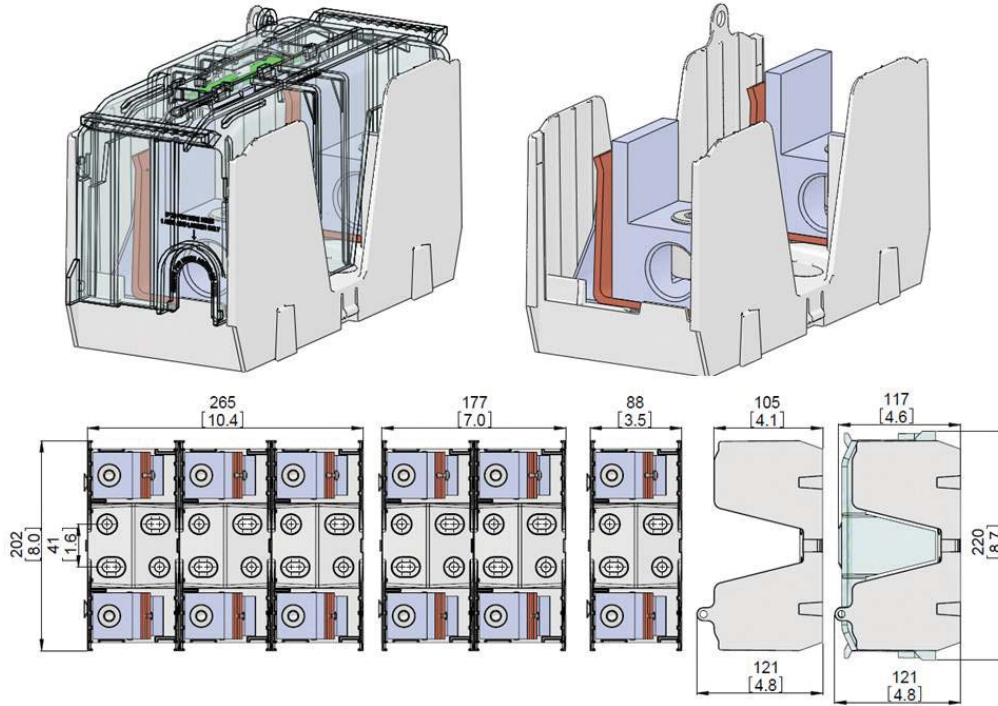


200 A

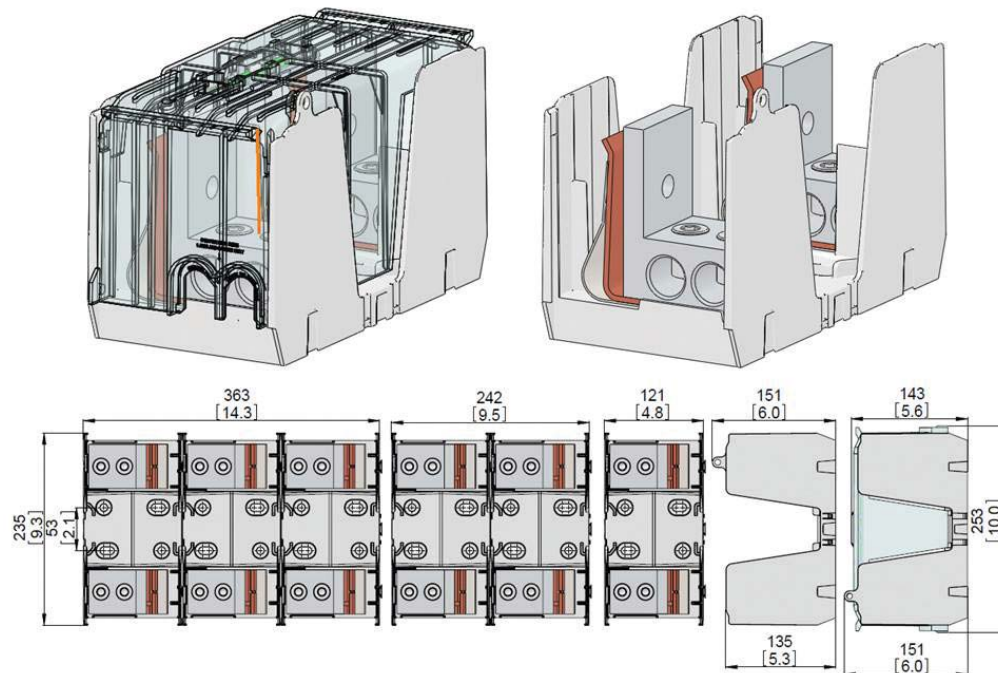
JM60

600 V a.c. (UL), 70 to 600 A

Dimensions - mm (in)



400 A



600 A

Modular fuse holders

10 x 38 mm, CH

Specifications

Description

Compact DIN-Rail mounting fuse holders for 10 x 38 mm cylindrical fuse links

Technical data

See table opposite page



Catalogue number	Number of poles	Description
Modular fuse holders for IEC industrial applications (Red)		
Neutral only		
CHM1DNXU	1	Neutral fuse holder
Fuse holder only		
CHM1DU	1	1-pole modular fuse holder
CHM2DU	2	2-pole modular fuse holder
CHM3DU	3	3-pole modular fuse holder
CHM4DU	4	4-pole modular fuse holder
Fuse holder and neutral		
CHM1DNU	2	1-pole + neutral modular fuse holder
CHM3DNU	4	3-pole + neutral modular fuse holder
Fuse holder with neon indicator		
CHM1DIU	1	1-pole modular fuse holder with neon indicator
CHM2DIU	2	2-pole modular fuse holder with neon indicator
CHM3DIU	3	3-pole modular fuse holder with neon indicator
CHM4DIU	4	4-pole modular fuse holder with neon indicator
Fuse holder with neon indicator and neutral		
CHM1DNIU	2	1-pole + neutral modular fuse holder with neon indicator
CHM3DNIU	4	3-pole + neutral modular fuse holder with neon indicator
Fuse holder with LED Indicator		
CHM1DI-48U	1	1-pole modular fuse holder with LED indicator
Modular fuse holders for photovoltaic applications (Yellow)		
Fuse holder only		
CHPV1U	1	1-pole modular fuse holder
CHPV2U	2	2-pole modular fuse holder holder
Fuse holder with neon indicator		
CHPV1IU	1	1-pole modular fuse holder with neon indicator
CHPV2IU	2	2-pole modular fuse holder with neon indicator
Modular fuse holders for UL Class CC applications (Black)		
Fuse holder only		
CHCC1DU	1	1-pole modular fuse holder
CHCC2DU	2	2-pole modular fuse holder
CHCC3DU	3	3-pole modular fuse holder
Fuse holder with neon indicator		
CHCC1DIU	1	1-pole modular fuse holder with neon indicator
CHCC2DIU	2	2-pole modular fuse holder with neon indicator
CHCC3DIU	3	3-pole modular fuse holder with neon indicator
Fuse holder with LED Indicator		
CHCC1DI-48U	1	1-pole modular fuse holder with LED indicator

10 x 38 mm, CH

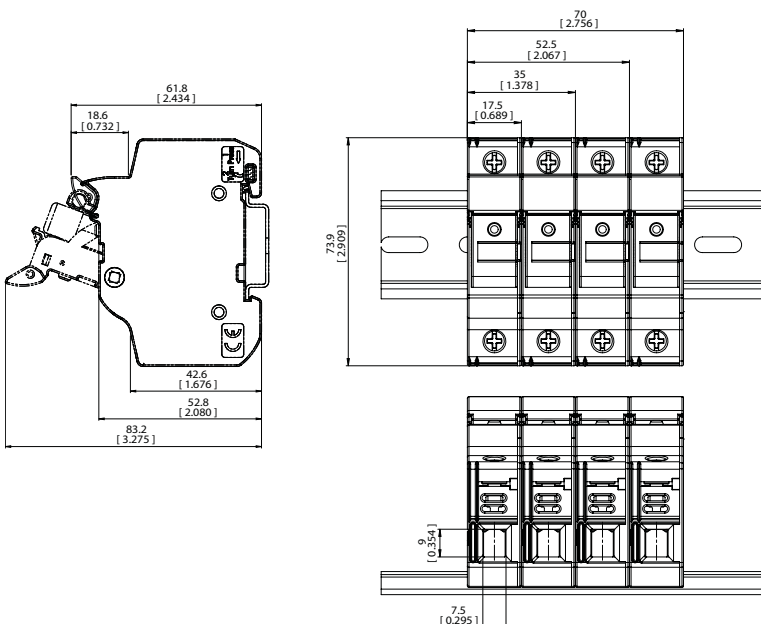
Technical data

Type	Rated voltage		Rated current		Terminal rating	Rated breaking withstand capacity	Compatible Bussmann series fuse links
	IEC	UL	IEC	UL			
Modular fuse holders for IEC industrial applications (Red)							
CHM1	690 V a.c.	600 V a.c.	32 A	30 A	IEC 1 to 25 mm ² 70°C PVC Copper cable (solid stranded or fine stranded) Spade lug Comb bus bar	IEC 120 kA rms sym	IEC: C10 and FWP-G10F
CHM_DN(X)U	690 V a.c.	600 V a.c.	32 A	30 A			
CHM1DI-48U	48 V d.c.	48 V d.c.	32 A	30 A		UL 200 kA rms sym	UL: FNQ, KLM, FNM, KTK, BAF, FWA, PVM, AGU, BAN, FWC
Modular fuse holders for Photovoltaic applications (Yellow)							
CHPV	1000 V d.c.	1000 V d.c.	32 A	30 A	IEC 1 to 25 mm ² 70°C PVC Copper cable (solid stranded or fine stranded) Spade lug Comb bus bar	33 kA rms sym	Solar PV range: PVM, PV-A10F
Modular fuse holders for UL Class CC Industrial applications (Black)							
CHCC	N/A	600 V a.c.	N/A	30 A	Cable 75°C and 90°C Cu cable	200 kA rms sym	LP-CC, FNQ-R, KTK-R
CHCC1DI-48U	N/A	48 V d.c.	N/A	30 A			

Standards / Agency information

	IEC	UL	CSA	CCC	CE
CHMD(I)U	IEC 60269-1 IEC 60269-2	UL 4248-1 UL file E14853	C22.2 No 4248.1	GB 13539.1 GB 13539.2	DCB 272
CHMDN(I)U	IEC 60269-1 IEC 60269-2	UL 4248-1 UL file E14853	C22.2 No 4248.1	GB 13539.1 GB 13539.2	DCB 272
CHM1DI-48U	IEC 60269-1 IEC 60269-2	UL 4248-1 UL file E14853	C22.2 No 4248.1	GB 13539.1 GB 13539.2	DCB 272
CHM1DNXU	IEC 60269-1 IEC 60269-2	UL 4248-1 UL file E14853	C22.2 No 4248.1	GB 13539.1 GB 13539.2	DCB 272
CHPV	IEC 60269-1	UL 4248-1 UL4248-19 UL file E14853	C22.2 No 4248.1 C22.2 No 4248.19	GB 13539.1	DCB 272
CHCC1D(I) to CHCC3D(I)U	N/A	UL 4248-1 UL file E14853	C22.2 No 4248.1	N/A	Contact: fusetech@eaton.com
CHCC1DI-48U	N/A	UL 4248-1 UL file E14853	C22.2 No 4248.1	N/A	Contact: fusetech@eaton.com

Dimensions - mm (in)



Data sheet: 720147

14 x 51 mm, CH14

690 V a.c. / 750 and 1500V d.c., 50 A

Specifications

Description

Compact DIN-Rail mount fuse holders for 14 x 51 mm cylindrical fuse links. Available in different versions with neutral and microswitch.

Technical data

Rated voltage & Rated current: see table below

Compatible fuse links

- C14G and C14M14 x 51 mm gG and gM cylindrical fuse links
- FW Ferrule
 - FWH-A14F see page 26
 - FWX-A14F see page 24
 - FWP-A14F see page 31 (please consult Eaton's Bussmann business application engineers if you wish to use a FWP fuse link with a striker option)
 - FWP-G14F see page 29
- PV-A14F see page 113



Standards / Agency information

IEC 60269-1 and 60269-2

Catalogue number	Number of poles	Description
Neutral only		
CH141DNXU	1	Neutral modular fuse fuse holder
Fuse holder only		
CH141DU	1	1-pole modular fuse holder
CH142DU	2	2-pole modular fuse holder
CH143DU	3	3-pole modular fuse holder
CH144DU	4	4-pole modular fuse holder
Fuse holder and neutral		
CH141DNU	2	1-pole + neutral modular fuse holder
CH143DNU	4	2-pole + neutral modular fuse holder
Fuse holder with neon indicator		
CH141DIU	1	1-pole modular fuse holder with neon indicator
CH142DIU	2	2-pole modular fuse holder with neon indicator
CH143DIU	3	3-pole modular fuse holder with neon indicator
CH144DIU	4	4-pole modular fuse holder with neon indicator
Fuse holder with neon indicator and neutral		
CH141DNUI	2	1-pole + neutral modular fuse holder with neon indicator
CH143DNUI	4	3-pole + neutral modular fuse holder with neon indicator
Fuse holder with microswitch		
CH141DMSU-F	1	1-pole modular fuse holder with microswitch for remote fuse indication operation
CH143DMSU-F	3	3-pole modular fuse holder with microswitch for remote fuse indication operation
Fuse holder with microswitch and neutral		
CH143DNMSU-F	4	3-pole + neutral modular fuse holder with microswitch for remote fuse indication operation
Fuse holder with LED Indicator		
CHPV141DI-48U	1	1-pole modular fuse holder with LED indicator
Fuse holder for photovoltaic applications		
CHPV141U	1	1-pole modular fuse holder
CHPV141IU	1	1-pole modular fuse holder with neon indicator
CHPV142U	2	2-pole modular fuse holder holder
CHPV142IU	2	2-pole modular fuse holder with neon indicator

Data sheet: 10080

14 x 51 mm, CH14

690 V a.c. / 750 and 1500V d.c., 50 A

Technical data

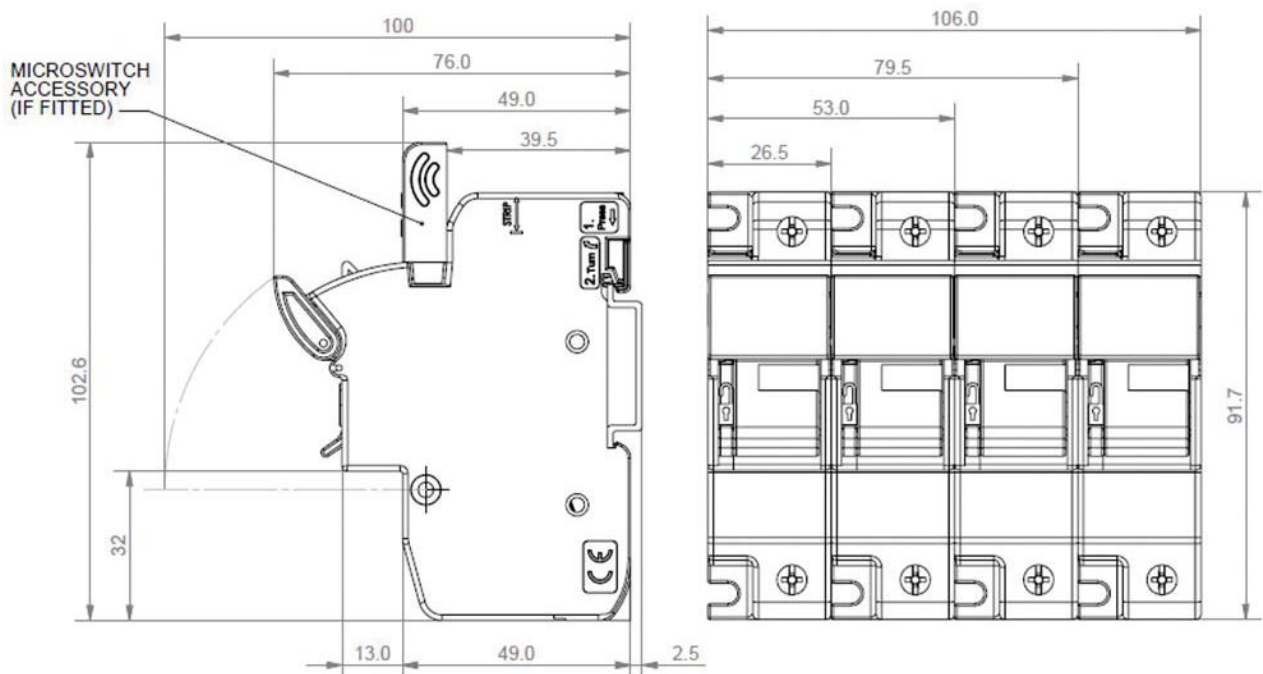
Type	Rated voltage		Rated current		Agency markings	Terminal rating	Rated breaking withstand capacity	Compatible Bussmann series fuse links
	IEC	UL	IEC	UL				
CH14	50 A (a.c. and d.c.)	50 A	690 V a.c. / 750 V d.c.	700 V a.c.	IEC 60269-1 and 2 UL Listed file number E14853	Cable size: 1.5-50 mm ² Recommended torque setting: 3.5 N•m Maximum torque setting: 3.5 N•m	120 kA a.c.	C14G and C14M FWX-A14F ¹ FWH-A14F ¹ FWP-A14F FWP-G14F
CHPV Photovoltaic	50 A (a.c. and d.c.)	50 A	1500 V d.c.	1500 V d.c.	IEC 60269-1 and 2 UL Listed file number E348242	Mounting 35 mm DIN-Rail or 2 x M4 panel mounting screws	10 kA d.c.	PV-A14F

¹ Maximum allowed continuous current applies. Please refer to data sheet for details.

Accessories

Catalogue numbers	Description	Unit packing
JV-L	Multi-pole connector kit. One kit will gang up to 4-poles together	12
CH14-SPS	Microswitch to work on CH141D(I)U, 1 n/o + 1 n/c changeover type	3
CH14-TPS	Microswitch to work on CH143D(I)U, 1 n/o + 1 n/c changeover type	3
CH14-CTP	IP20 protection accessory, provides IP20 protection to terminals with 10mm ² or less cable	12

Dimensions - mm



22 x 58 mm, CH22

690 V a.c. / 1000V d.c., 125 A

Specifications

Description

Compact DIN-Rail mount fuse holders for 22 x 58 mm cylindrical fuse links. Available in different versions with neutral and microswitch.

Technical data

Rated voltage & Rated current: see table below

Compatible fuse links

- C22G and C22M 22 x 58 mm gG and gM cylindrical fuse links
- FWP-A22F Ferrule see page 32 (please consult Eaton for derating information bulehighspeedtechnical@eaton.com)
- FWP-G22F see page 30

Standards / Agency information

IEC 60269-1 and 60269-2



Catalogue number	Number of poles	Description
Neutral only		
CH221DNXU	1	Neutral holder
Fuse holder only		
CH221DU	1	1-pole modular fuse holder
CH222DU	2	2-pole modular fuse holder
CH223DU	3	3-pole modular fuse holder
CH224DU	4	4-pole modular fuse holder
Fuse holder with neon indicator		
CH221DIU	1	1-pole modular fuse holder with neon indicator
CH222DIU	2	2-pole modular fuse holder with neon indicator
CH223DIU	3	3-pole modular fuse holder with neon indicator
CH224DIU	4	4-pole modular fuse holder with neon indicator
Fuse holder and neutral		
CH221DNU	2	1-pole + neutral modular fuse holder
CH223DNU	4	3-pole + neutral modular fuse holder
Fuse holder with neutral and neon indicator		
CH221DNIU	2	1-pole + neutral modular fuse holder + neon indicator
CH223DNIU	4	3-pole + neutral modular fuse holder + neon indicator
Fuse holder with microswitch		
CH221DMSU-F	1	1-pole modular fuse holder with microswitch (pre-breaking/fuse operation)
CH223DMSU-F	3	3-pole modular fuse holder with microswitch (pre-breaking/fuse operation)
Fuse holder with neutral and microswitch		
CH223DNMSU-F	3	3-pole modular fuse holder + neutral + microswitch (pre-breaking/fuse operation)
Fuse holder with LED Indicator		
CH221DI-48U	1	1-pole modular fuse holder with LED Indicator

Technical data

Rated voltage		Rated current		Agency markings	Terminal rating	Rated breaking withstand capacity	Compatible Bussmann series fuse links
IEC	UL	IEC	UL				
690 V a.c. 1000 V d.c.	700 V a.c.	125 A (a.c. and d.c.)	100 A (a.c.)	IEC 60269-1 and 2 UL Listed file number E14853	Cable size: 2.5-70 mm ² Recommended torque setting: 4 N•m Maximum torque setting: 5 N•m Mounting 35 mm DIN-Rail or 2 x M4 panel mounting screws	120 kA a.c. 50 kA d.c.	FWP Ferrule ¹

¹ Maximum allowed continuous current applies. Please refer to data sheet for details.

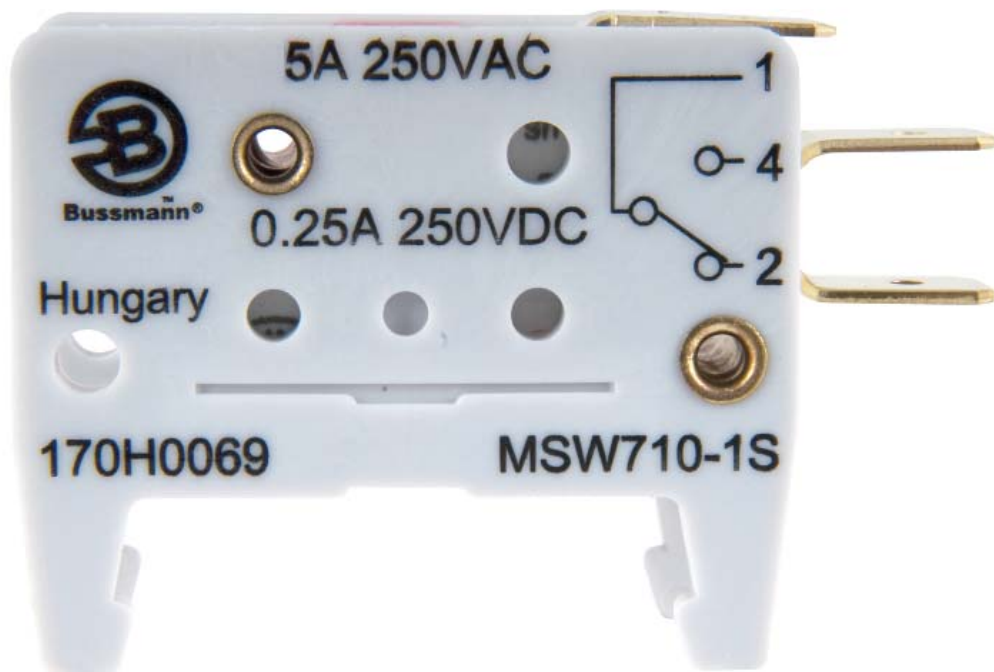
22 x 58 mm, CH22

690 V a.c. / 1000V d.c., 125 A

Accessories

Catalogue numbers	Description	Unit packing
JV-L	Multi-pole connector kit. One kit will gang up to 4-poles together	12
CH22-CTP	IP20 protection accessory, provides IP20 protection to terminals with 10mm ² or less cable	12
CH22-SPS	Microswitch to work on CH221D(I)U , 1 n/o + 1 n/c changeover type	3
CH22-TPS	Microswitch to work on CH223D(I)U , 1 n/o + 1 n/c changeover type	3

Dimensions - mm



Microswitches for square body fuse links

Indicator systems

High Speed square body fuse links are available with three different indicators.

1 - Visual Indicator

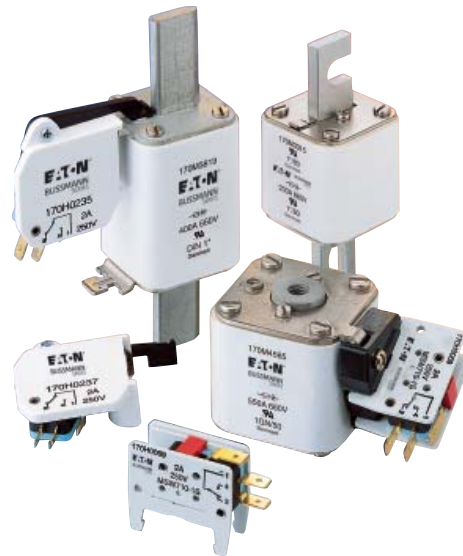
The indicator situated in one end plate is clearly visible as soon as the fuse link has operated. The minimum rated voltage for operating the indicator is 20 V.

2 - Type T Indicator

The indicator is situated on one cover plate with a cover plate tag to accommodate an auxiliary switch. The minimum rated voltage for operating the indicator is 20 V. A special low rated voltage indicator (1.5V) is available on request).

3 - Type K Indicator

The indicator is situated on the fuse link body. It is covered by an adaptor for snap-on mounting of an auxiliary switch. The operating Rated voltage of the indicator is 1.5V. As a matter of safety, the factory mounted adaptor must not be removed from the fuse link.



Microswitches

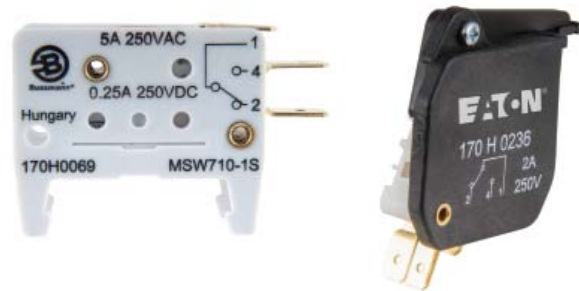
Specifications

High Speed square body fuse links with either Type T indicator or Type K indicator can be equipped with a microswitch. For remote electrical indication of fuse link operations. All microswitches have one normally open and one normally closed contact.

Technical data

Rated voltage: 10-250 V a.c.

Rated current: 30mA-2A



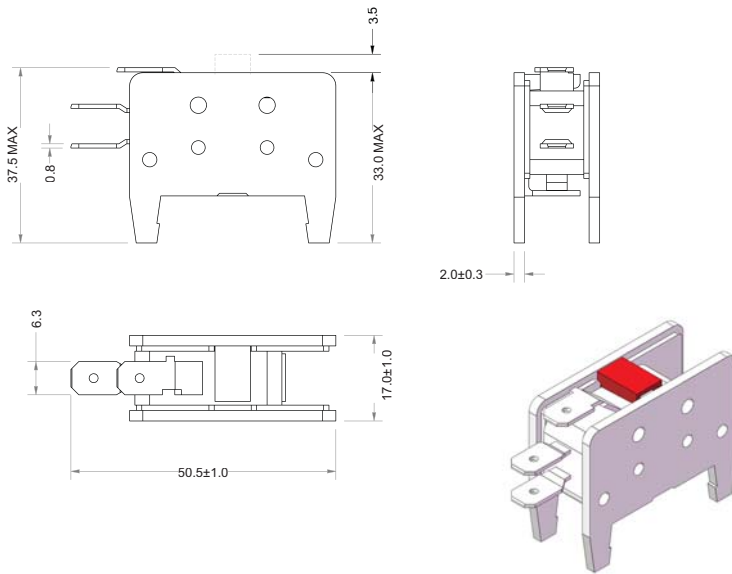
Fuse link body size	DIN 43653		DIN 43620		French style		Flush end		US Style	Terminal size	
	Type T	Type K	aR	gR and dual indication	Type T	Type K	Type T	Type K	Type K	6.3 x 0.8mm lugs	2.8 x 0.5mm lugs
000	170H0236		170H0236	170H0236						X	
	170H0238		170H0238	170H0238							X
00	170H0235		170H0236	170H0236			170H0235			X	
	170H0237		170H0238	170H0238			170H0237				X
1*	170H0235	170H0069	170H0235		170H0236	170H0069			170H0069	170H0069	X
	170H0237		170H0237		170H0238						X
1	170H0235	170H0069	170H0235 ¹	170H0236	170H0236	170H0069			170H0069	170H0069	X
	170H0237		170H0237 ¹	170H0238	170H0238						X
2	170H0235	170H0069	170H0235	170H0236	170H0236	170H0069			170H0069	170H0069	X
	170H0237		170H0237	170H0238	170H0238						X
3	170H0235	170H0069	170H0236	170H0236	170H0236	170H0069			170H0069	170H0069	X
	170H0237		170H0238	170H0238	170H0238						X
4								170H0069		X	
23								170H0069		X	
24								170H0069		X	

For special microswitches, double microswitches, DC rating of the microswitches, lower/higher signal levels and for insulation voltages please contact Eaton: bulehighspeedtechnical@eaton.com.

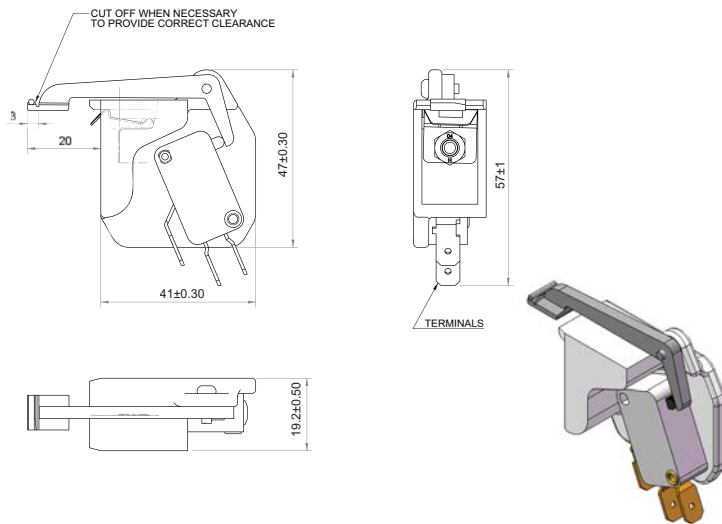
¹ DIN2* (55x55), if DIN2 then use microswitch 170H0236, 170H0238.

Indicator systems

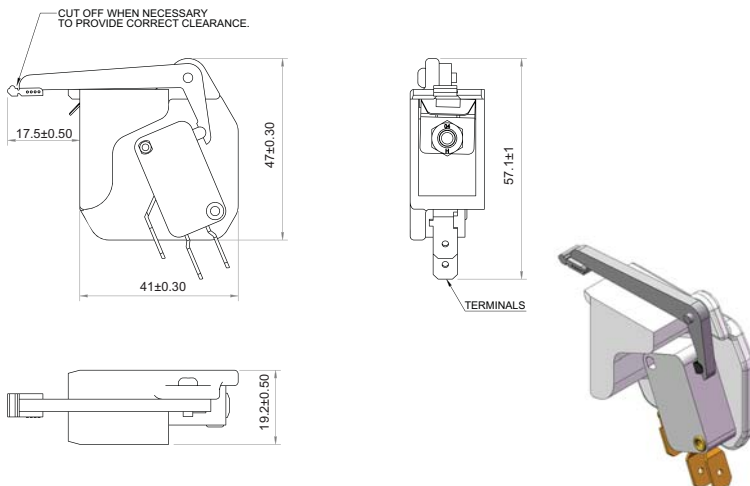
Dimensions - mm



170H0069



170H0235/170H0237 For bent tags



170H0236/170H0238 for straight tags

Microswitches for British Standard BS88-4 fuse links

Trip Indicator / Microswitches

Specifications

Trip-indicator fuse links are available for use in parallel with the main BS88-4 fuse links. They can either be attached to the associated fuse link or mounted separately in panel mounted fuse clips. A push-on adaptor and microswitch attachment is available for use with the trip indicator to give the facility of remote indication.

Fuse ratings of 20 A and below cannot usually accommodate a trip fuse link in parallel.

Catalogue numbers

Trip indicator kit (indicator + clips)

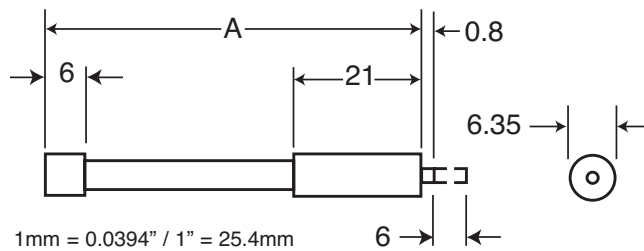
Fuse type	Catalogue number
ET	EC-600
EET	EC-600
FE	EC-600
FEE	EC-600
LET	EC-250
FM	MC-600
FMM	MC-600
LMT	MC-250
LMMT	MC-250
MT	MC-700
MMT	MC-700



Indicator Only

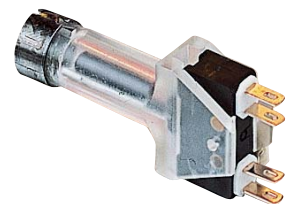
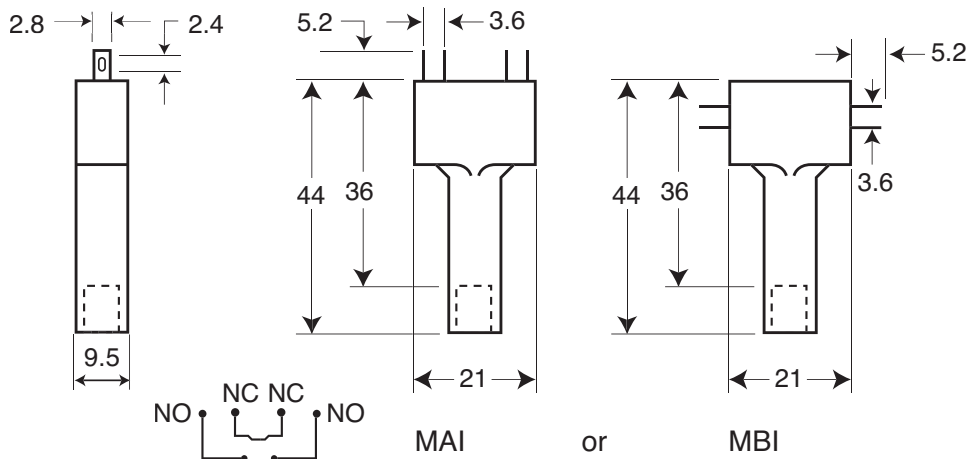
Fuse type	Max RMS AC voltage (V a.c. RMS)	Dim 'A' (mm)
TI250	250	37.6
TI500	500	47.5
TI600	600	55.7
TI700	700	61.8
TI1100	1100	98.4
TI1500	1500	120.8
TI2000	2000	147.5
TI2500	2500	198.3

Dimensions - mm



Microswitch/Adaptor: MAI and MBI

Dimensions - mm



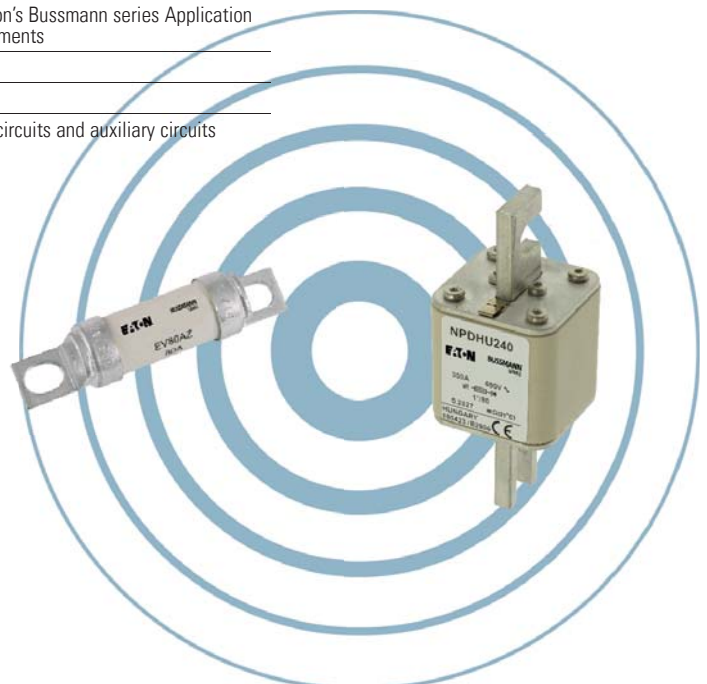


Hybrid Electric Vehicles

As the automotive world is becoming ever more electrified the power requirements are changing, so have the protection needs. Eaton is continually developing designs to meet these ever changing requirements. The experience of Eaton in protecting semiconductor devices has proved invaluable as vehicle powertrain systems have moved to power based converters for the variable speed motor drives and also for auxiliary power conversion.

Utilising a global network of engineering, manufacture and distribution Eaton is able to draw upon a wealth of knowledge to fully meet your application needs.

Hybrid Electric Vehicles (HEV)	
Standards	Most commonly ISO 8820-8, Jaso D622 amongst others
Voltage	Options up to 1000 V d.c., please contact Eaton's Bussmann series Application engineers to discuss your specific requirements
Current	Options up to 1250 A, please contact Eaton's Bussmann series Application engineers to discuss your specific requirements
Operating class	aR & gR
Breaking capacity	Up to 150 kA
Applications	Batteries, converters, inverters, charging circuits and auxiliary circuits



Index

Catalogue number	Page
170M7098 to 170M7106	66-67
170M7107	70-71
170M7118 to 170M7126	66-67
170M7138 to 170M7149	75
170M7156	68-69
170M7158 to 170M7169	75
170M7198 to 170M7209	75
170M7217	70-71 and 88
170M7218 to 170M7229	75
170M7488	76
170M7498	76
170M7510 to 170M7513	70-71
170M7516	70-71
170M7532	70-71
170M7542	68-69
170M7544	68-69
170M7546	70-71
170M7548	68-69
170M7567 to 170M7569	76
170M7592	70-71
170M7595	70-71
170M7597	70-71
170M7608	76
170M7622	76
170M7633	70-71
170M7636	68-69
170M7639	68-69
170M7640	68-69
170M7658	68-69
170M7661	68-69
170M7676	70-71
170M7680	76
170M7802 to 170M7804	70-71
170M7962	68-69
170M7963	68-69
170M7976	70-71
170M7978	70-71
170M8500 to 170M8513	62-63
170M8531 to 170M8544	55-56
170M8554D to 170M8557D	48-49
170M8600 to 170M8613	62-63
170M8614 to 170M8627	42-43
170M8629 to 170M8642	42-43
1BS	134
BH	134
BMM	138
C5268	134
CH14	146-147
CH14-CTP	147
CH14-SPS	147
CH14-TPS	147
CH22	148-149
CH22-CTP	149
CH22-SPS	149
CH22-TPS	149
CHCC	144-145
CHM	144-145
CHPV	112 and 144-145
CHPV14	114 and 146-147
CHPV15V85	116
CT	19-20
CVR-CCM	139
CVRI-CCM	139
DFJ	78

Catalogue number	Page
EC-250	152
EC-600	152
EET	19-20
ET	19-20
FE	19-20
FEE	19-20
FM	21-22
FMM	21-22
FWA-_A	7-8
FWA-_B	7-8
FWA-A10F	23
FWA-A21F	23
FWA-AH	6
FWC-A10F	27
FWH-_A	10
FWH-_B	10
FWH5-A6F	25
FWH-A14F	26
FWH-A6F	25
FWJ-_A	15
FWJ-A14F	34
FWK-A20F	33 and 101
FWK-A25F	33 and 101
FWL-A20F	35 and 103
FWP-_A	13-14
FWP-_B	13-14
FWP-A14F	31
FWP-A22F	32
FWP-G10F	28
FWP-G14F	29
FWP-G22F	30
FWS-A20F	36
FWS-A20F	103
FWX-_A	9
FWX-_AH	9
FWX-A14F	24
JM60	141-143
JM70100	140
JV-L	147 and 149
KAC	11
KBC	12
KC36	104
LCT	16-17
LET	16-17
LMMT	18
LMT	18
LRC750	102
MC-250	152
MC-700	152
MMT	21-22
MT	21-22
NBC	108
PV10M-25	110-111
PV10M-30	110-111
PV-3L	127-132
PV-3L-15	127-132
PV-3L-B	127-132
PV-3L-B-15	127-132
PV-A10	110-111
PV-A14F	113
PV-A14LF	115
PV-A14LF10F	115
PV-A14L-T	115
PV-AF	125-126

Catalogue number	Page
PV-ANH	117-122
PVM	109
PV-XL	127-132
RC	105
SB1XL-S	133
SB2XL-S	133
SB3L-S	133
SD-D-PV	123-124
SF100X	106-107
SF75X	106-107
TI	152

Contact details

Customer Satisfaction team

Eaton's Customer Satisfaction team is available to answer questions regarding Bussmann series products.

Calls can be made between:

Monday - Thursday 7.30 a.m. - 5.30 p.m. GMT

Friday 7.30 a.m. - 5.00 p.m. GMT

The Customer Satisfaction team can be reached via:

Phone: 00 44 (0) 1509 882 600

Fax: 00 44 (0) 1509 882 786

Email: bulesales@eaton.com

www.my.eaton.com

Tailored just for you. Powerful online tools and resources get you the up-to-date information you need to work smarter, make informed decisions and streamline your transactions with Eaton.

Get started today at www.my.eaton.com by clicking 'Request User ID and Password'.

- Easy to Navigate
- Simple to Use
- Real-Time Data.

Online resources

Visit www.eaton.com/bussmannseries for the following resources:

- Product cross reference
- Product profiles
- Online catalogues for the latest United States and European catalogues.

Application engineering

Application Engineering assistance is available to all customers. The Application Engineering team is staffed by university-qualified electrical engineers who are available with technical and application support.

Calls can be made between:

Monday - Thursday 8.30 a.m. - 4.30 p.m. GMT

Friday 8.30 a.m. - 4.00 p.m. GMT

Application Engineering can be reached via:

Phone: 00 44 (0) 1509 882 699

Fax: 00 44 (0) 1509 882 794

General technical enquiries:

buletechnical@eaton.com

Enquiries related to High speed fuses:

bulehighspeedtechnical@eaton.com

At Eaton, we're energized by the challenge of powering a world that demands more. With over 100 years experience in electrical power management, we have the expertise to see beyond today. From groundbreaking products to turnkey design and engineering services, critical industries around the globe count on Eaton.

We power businesses with reliable, efficient and safe electrical power management solutions. Combined with our personal service, support and bold thinking, we are answering tomorrow's needs today. Follow the charge with Eaton. Visit eaton.com/electrical.

Contact your local Eaton office

Eaton
Melton Road
Burton-on-the-Wolds
LE12 5TH
Leicestershire
United Kingdom
bulesales@eaton.com
www.eaton.com/bussmannseries

Eaton Industries Manufacturing GmbH
Electrical Sector EMEA
Route de la Longeraie
71110 Morges, Switzerland
Eaton.eu

© 2016 Eaton
All Rights Reserved
Printed in the United Kingdom
Publication No. CA132060EN
May 2016

Changes to the products, to the information contained in this document, and to prices are reserved; so are errors and omissions. Only order confirmations and technical documentation by Eaton is binding. Photos and pictures also do not warrant a specific layout or functionality. Their use in whatever form is subject to prior approval by Eaton. The same applies to Trademarks (especially Eaton, Moeller, and Cutler-Hammer). The Terms and Conditions of Eaton apply, as referenced on Eaton Internet pages and Eaton order confirmations.

Eaton is a registered trademark.

All other trademarks are property of their respective owners.