

NH2XL / 3L FUSE BASE WITHOUT ACCESORIES	43415111020
NH2XL / 3L FUSE BASE WITH SEPARATOR AND BARRIER SCREEN	43415111023
NH2XL / 3L FUSE BASE WITH COVERS	43415111025
NH2XL / 3L FUSE BASE WITH COVERS, SEPARATOR AND BARRIER SCREEN	43415111027

STANDARD APPLIED: IEC 60269-2

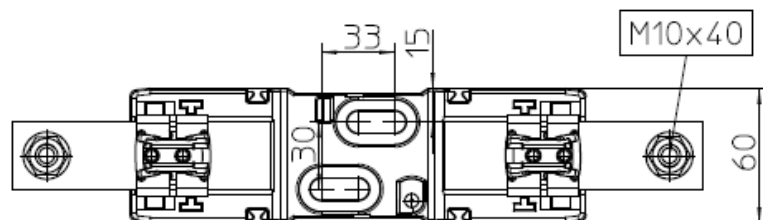
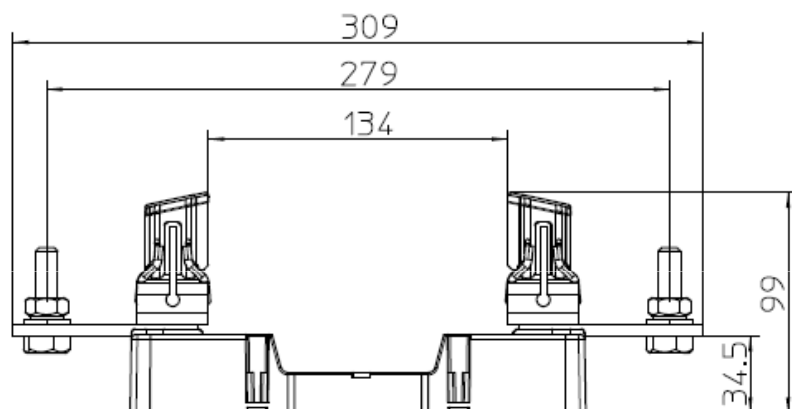
ELECTRICAL CHARACTERISTICS

Rated Operational Voltage DC	1100V DC	1500V DC
Rated operational current	630 A	450 A
Utilization category	DC 20B	
Power loss per fuse –link at reduced current (0.8 Ie)	80 W	

MECHANICAL CHARACTERISTICS

Size	NH2XL / 3L
Connection bolts	M10 X 40
Connection torque	32 N/m
Cable lug without covers (S/DIN 46235)	25-300 mm ²
Cable lug protected with covers (S/DIN 46235)	25-240 mm ²
Weight	600 grs
Protection degree with covers (Frontal operated switchgear fitted)	IP-20

DIMENSIONS 43415111020



DIMENSIONS 43415111027

