



NH2XL FUSE BASE WITHOUT ACCESORIES	4341A111020
NH2XL FUSE BASE WITH SEPARATOR AND BARRIER SCREEN	4341A111023
NH2XL FUSE BASE WITH COVERS	4341A111025
NH2XL FUSE BASE WITH COVERS, SEPARATOR AND BARRIER SCREEN	4341A111027

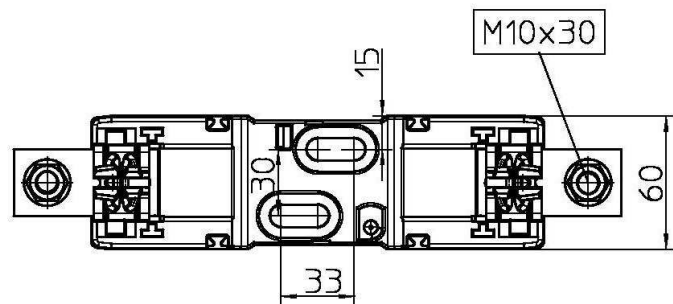
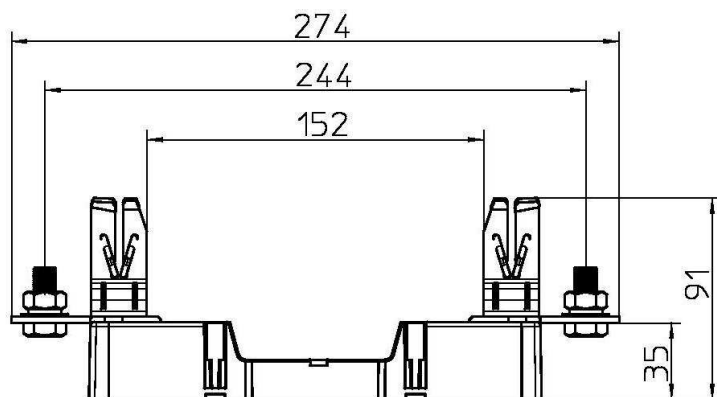
**ELECTRICAL CHARACTERISTICS**

Rated Operational Voltage AC	1200V AC	
Rated operational current	400 A	
Rated Operational Voltage DC	1100V DC	1500V DC
Rated operational current	400 A	250 A
Utilization category	DC 20B	
Power loss per fuse –link at reduced current (0.8 Ie)	42 W	

**MECHANICAL CHARACTERISTICS**

Size	NH2XL
Connection bolts	M10 X 30
Connection torque	32 N/m
Cable lug without covers (S/DIN 46235)	25-300 mm <sup>2</sup>
Cable lug protected with covers (S/DIN 46235)	25-240 mm <sup>2</sup>
Weight	520 grs
Protection degree with covers (Frontal operated switchgear fitted)	IP-20

**DIMENSIONS 4341A111020**



**DIMENSIONS 4341A111027**

